



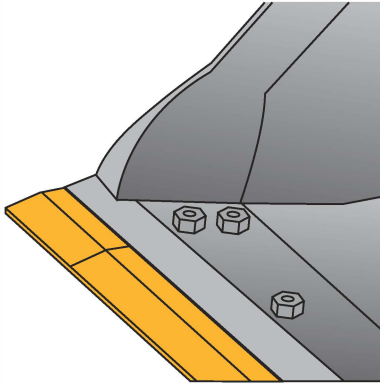


**T O U G H  
C O M P O N E N T S**

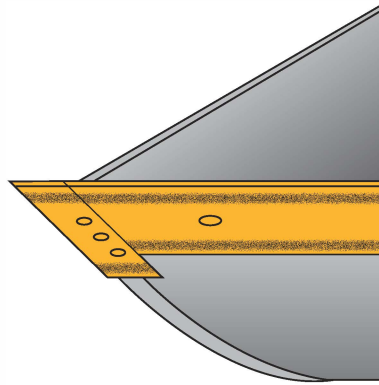
# **THROUGH HARDENED BOLT-ON EDGES**

**For Corner Guard System & Rock Bucket**

**Standard quality**



**With A.F.M. (Antiwear Facing Material)**



## **Important Reasons why and when BOLT-ON Edges should be used:**

- they **are more economical** than edges complete with teeth when penetration is not a problem. Stockpiling and loading loose material are ideal applications;
- they **protect and extend the life** of your bucket edges and corners;
- they **are through hardened to 500 HB** and they have the **same steel composition** as the O.E.M. (Original Equipment Manufacturers), therefore same durability;
- they can be **replaced or rotated quickly and inexpensively**, with no burning or welding. Consequently a **big saving of time** and money;
- the ones **with A.F.M.** (Antiwear Facing Material) are **ideal where sand, gravel and other abrasive materials wear edges prematurely**; with A.F.M. are recommended in low to moderate impact applications.

## **TECHNICAL INFORMATION**

**Standard quality**

**With A.F.M.**

### **Material Specification**

30MnCrB5H

Tungsten Carbide Particles

### **Mechanical Properties**

Surface Hardness	460÷520 HB	Hard Facing Material	1050÷1420 HV <sub>1</sub>
Tensile Strenght	1530 MPa min.		
Yeld Strenght	1300 MPa min.	Martensitic Matrix	730÷800 HV <sub>1</sub>
Elongation	7% min.		(62÷65 HRC)
Impact Strenght (DVM) to 20°C	40 J/cm <sup>2</sup> min.	Base Material	460÷520 HB (49÷52 HRC)





**T O U G H  
C O M P O N E N T S**

# **A.F.M.**

## **ANTIWEAR FACING MATERIAL**

**A.F.M.** is a coating made of extremely hard tungsten carbide particles, bonded with high martensitic alloy, which forms a protective shield on the more exposed wearing surfaces of the G.E.T. parts.

Compared with no A.F.M. protected, **the shielded G.E.T. parts can last up to 3-5 times longer** in high abrasion/low to moderate impact conditions.

Comprehensibly, A.F.M. protected G.E.T. parts cost more than similar standard tools but the higher initial cost is more than compensated by the following advantages:

- **more Wear Life**, because A.F.M. G.E.T. parts last up to 3-5 times longer and consequently their costs per hour in appropriate operations are lowered drastically;
- **higher Production**, because the hard shield improves penetration and the machine is helped to improve productivity;
- **increased Machine Availability**, because longer wear life offers the big advantage to spend less time replacing Antiwear faced G.E.T. parts, consequently, reduced operating costs.

### **Bolt-On Cutting Edges and End Bits,**

**Bucket Tips**, especially Heavy Duty Long Life type,

**Ripper Tips**, either Penetration or Centerline type,

**Shouldered Adapters**, like Two Strap, Flush Mount and Bolt-On type,

**Corner Guard Adapters**

are the G.E.T. parts that we can supply provided **with Antiwear Facing Material (A.F.M.)**.

### **TECHNICAL INFORMATION**

#### **Hardnesses**

Hard Facing Material 1050÷1420 HV<sub>1</sub>  
(Tungsten Carbide Particles)

Martensitic Matrix 730÷800 HV<sub>1</sub>  
(62÷65 HRC)

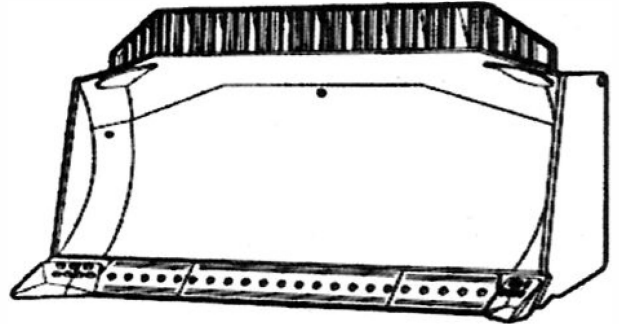
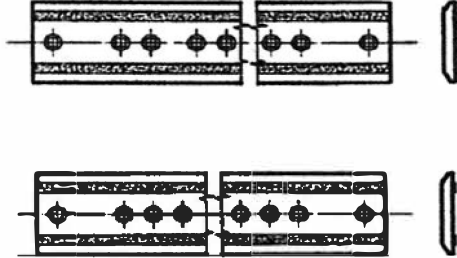
Base Material 460÷520 HB  
(49÷52 HRC)

# PRODUCT SPECIFICATION

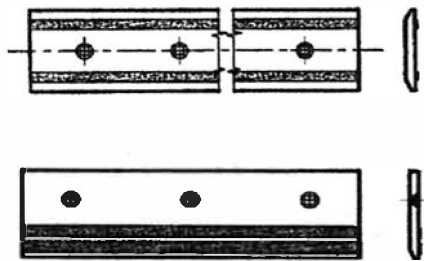
Sez.	UTO ASQ
Pag.	1
Rev.	

Title Through Hardened Cutting Edges AFM

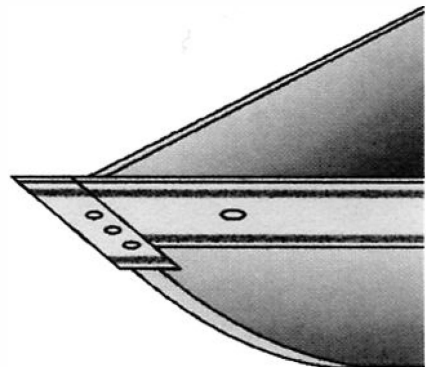
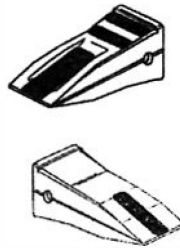
## Dozer Cutting Edges



## Loader Cutting Edges



## Tips



## Type steel

**Duro 500**

## Chemical composition Base material

C	Mn	S	P	Si	N	Cr*	Al	Mo*	Ni*	Cr
0,28	1,2	0,03	0,03	0,3	0,012	0,03	0,02	0,06	0,03	0,45
0,32	1,5	max	max	0,5	max	max	0,05	max	max	0,6
Bs	Bt	Ti								
0,001	0,004	0,05								
max	max	max								

\* Elementi residui, limiti ammessi

## Mechanical Properties

### Steel

Surface hardness	HB	460-520
Yield strength	Mpa	1530 min
Yield stress	Mpa	1210 min
Elongation	%	7 min
Resilience (DVM) a 20°C	J/cm <sup>2</sup>	40 min

### A.F.M.

Hard Facing Material
Martensitic Matrix
Base material

### Tungsten Carbide Particles

1050-1420 HV
730-800 HV (62-65 HRC)
460-520 HB (49-52 HRC)

Durezza a cuore dopo tempra in acqua  
> 48 HRC sul diam. 12 mm max

Grano  
Austenitico > 5

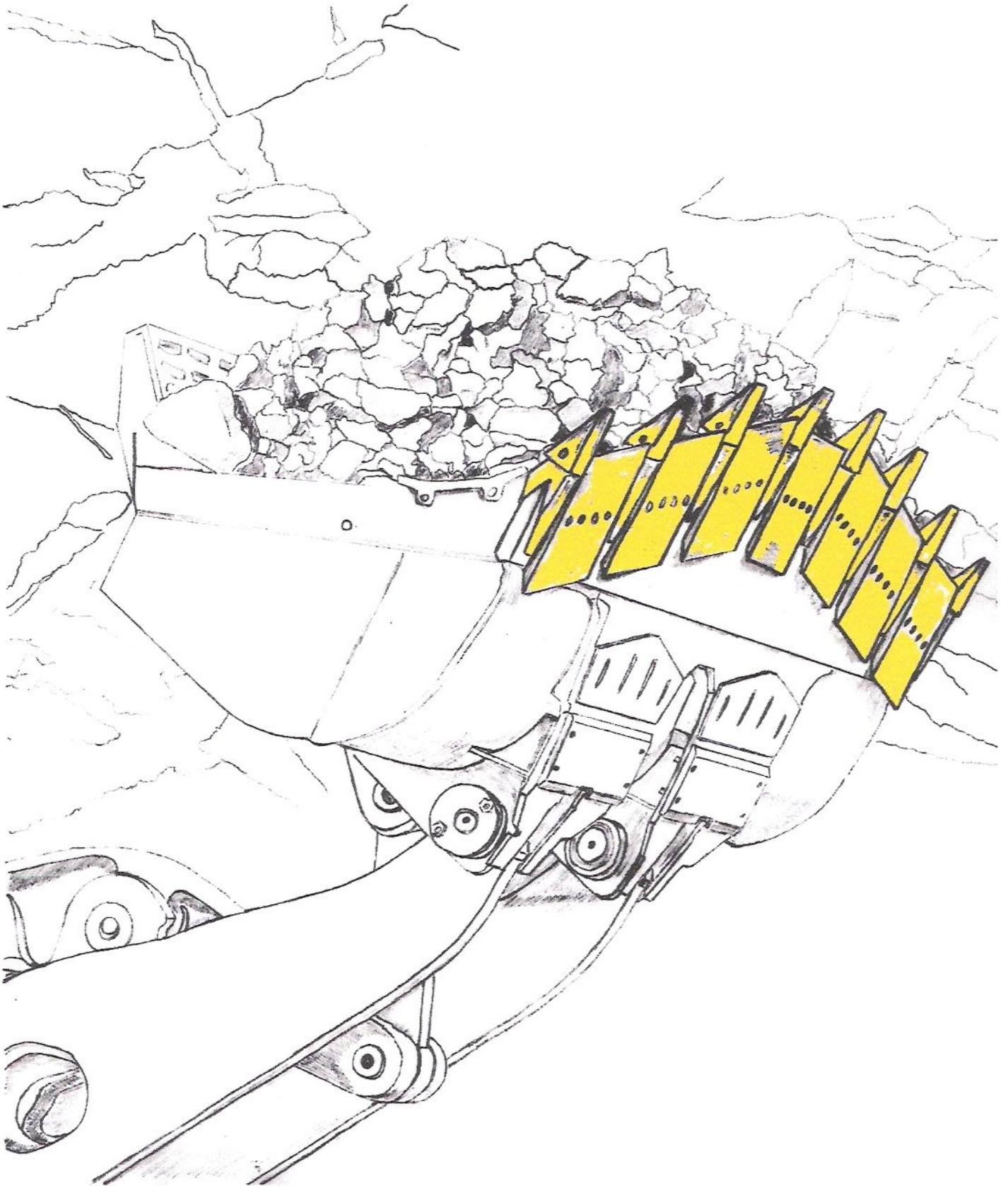
Issue date	21-09-2004	Last Rev.	Prev. Rev.	No.Doc.
------------	------------	-----------	------------	---------

# CATERPILLAR-LOADERS

Applications



**T O U G H  
C O M P O N E N T S**



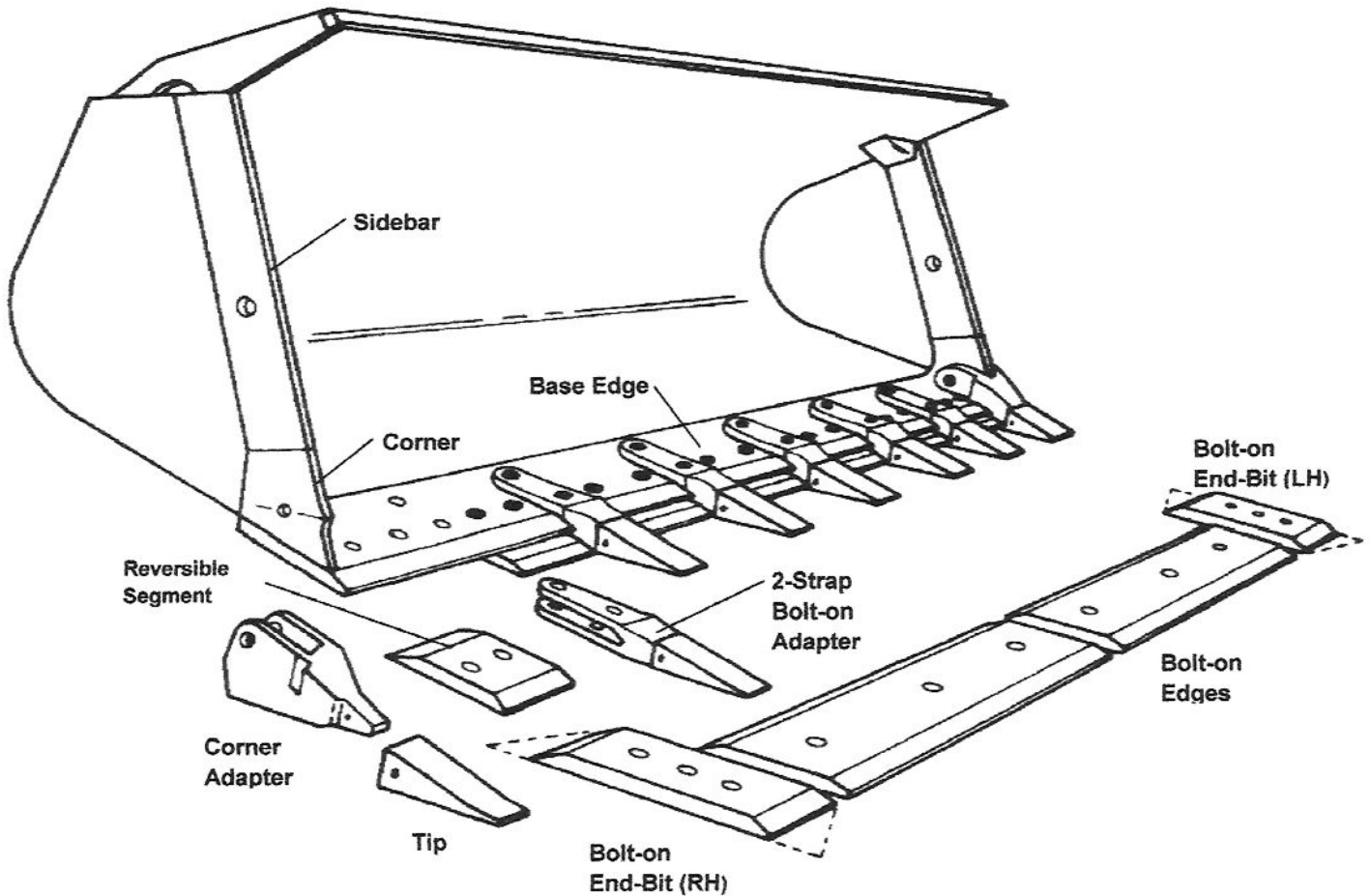
# CATERPILLAR-LOADERS

Applications

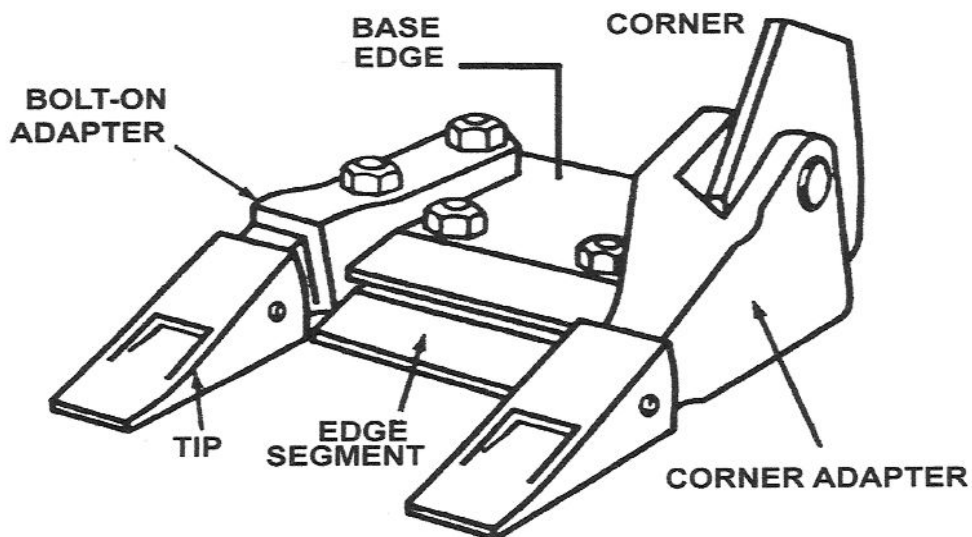


**T O U G H  
C O M P O N E N T S**

## CORNER GUARD SYSTEM



## CORNER GUARD BOLT-ON TOOTH SYSTEM

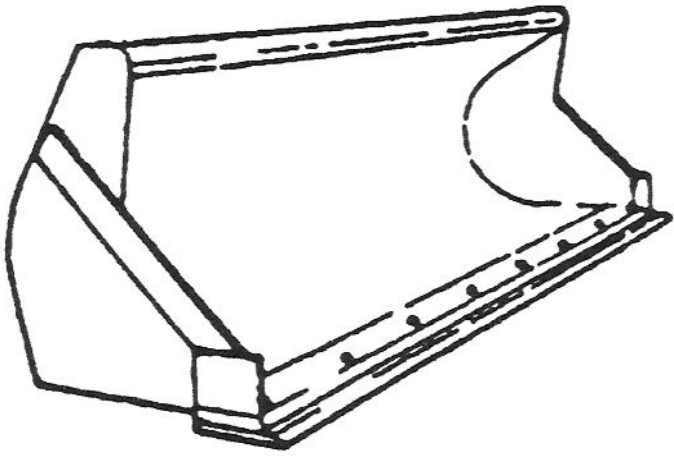


# CATERPILLAR-LOADERS

Base Edges, Applications



**T O U G H  
C O M P O N E N T S**



## EDGES FOR GENERAL PURPOSE BUCKET

### - *Range of applications :*

Excavating, Bank and stock Pile Loading

### - *Equipment :*

Bolt-on Edges

Bolt-on Teeth

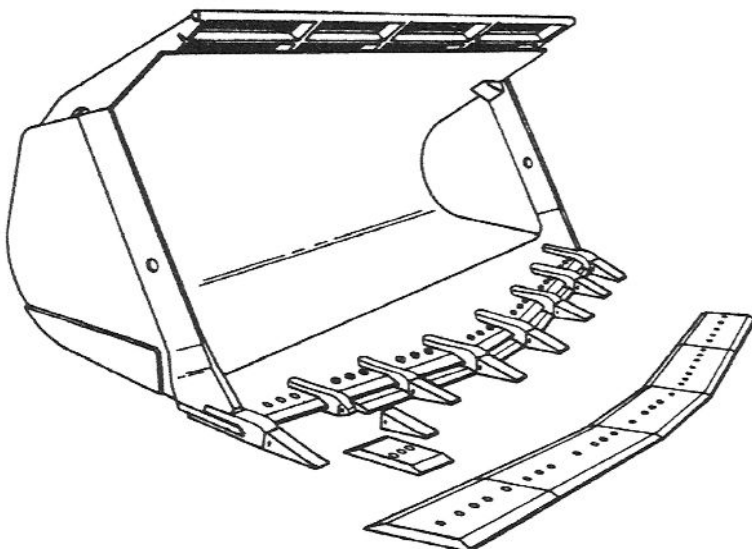
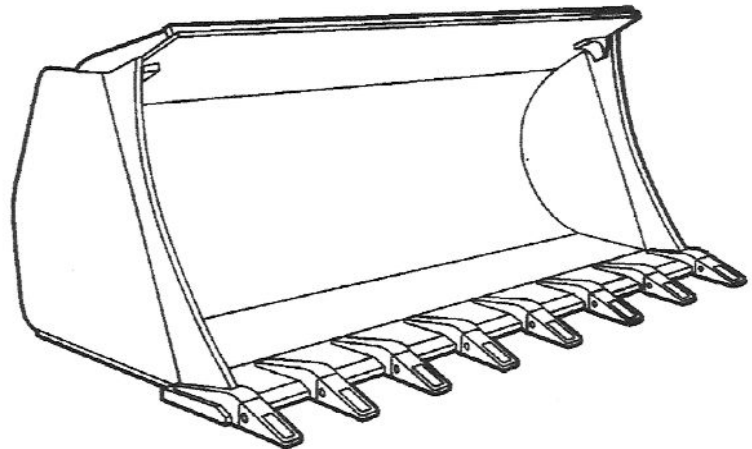
## EDGES FOR PENETRATION BUCKET

### - *Range of applications :*

Level Cutting and  
Moderate Breakout Forces Penetration

### - *Equipment :*

Weld-on, Flushmount Adapters



## EDGES FOR ROCK BUCKET

### - *Range of applications :*

Mining and Quarry

### - *Equipment :*

Spade and Straight Edges  
with or without teeth  
with teeth and Bolt-on Segments,  
Bolt-on Cutting Edges.



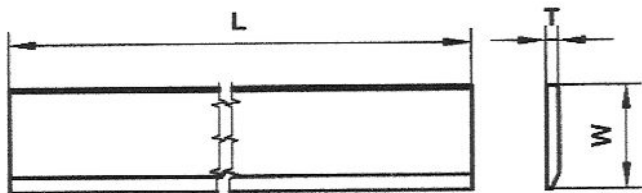
# CATERPILLAR-LOADERS

## Base Edges

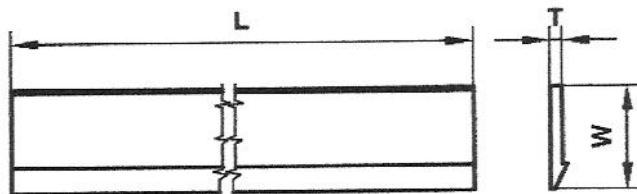


**T O U G H  
C O M P O N E N T S**

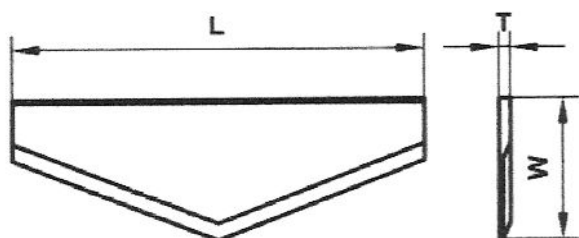
**TYPE 1**



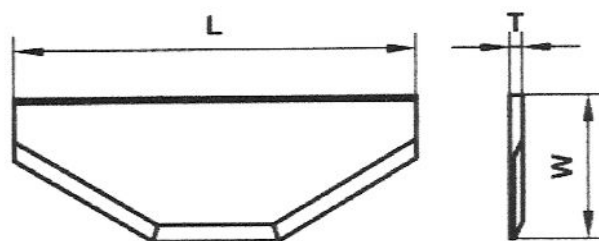
**TYPE 2**



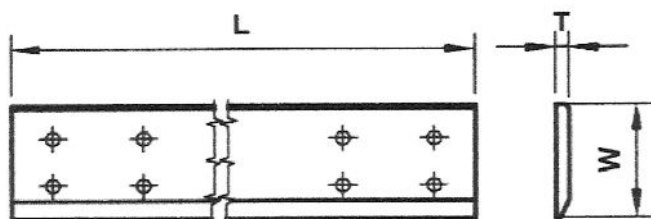
**TYPE 3**



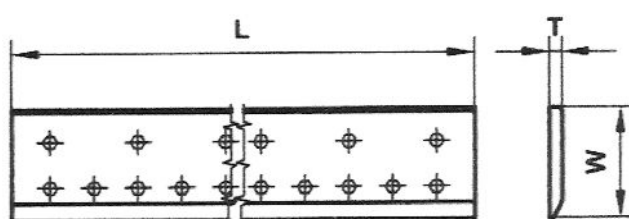
**TYPE 4**



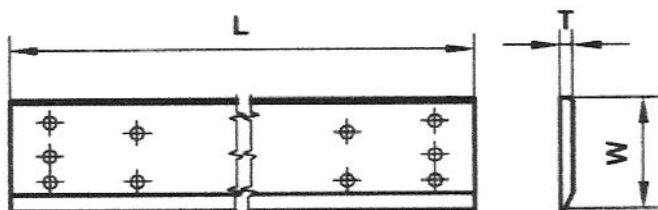
**TYPE 5**



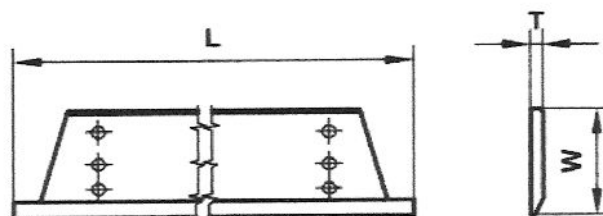
**TYPE 6**



**TYPE 7**



**TYPE 8**



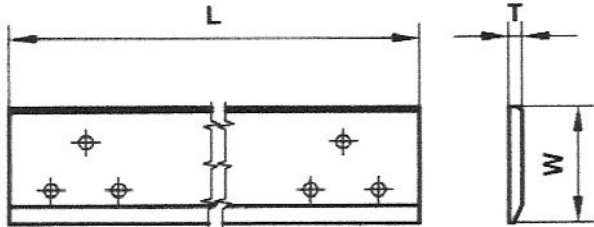
# CATERPILLAR-LOADERS

Base Edges

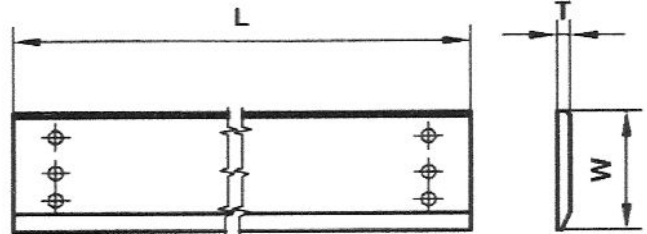


**T O U G H  
C O M P O N E N T S**

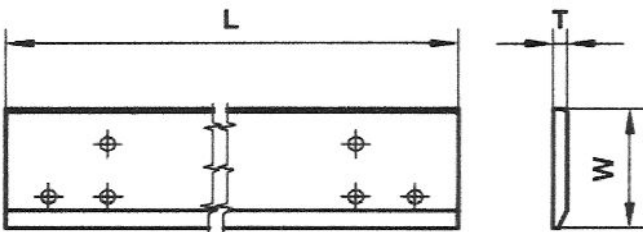
**TYPE 9**



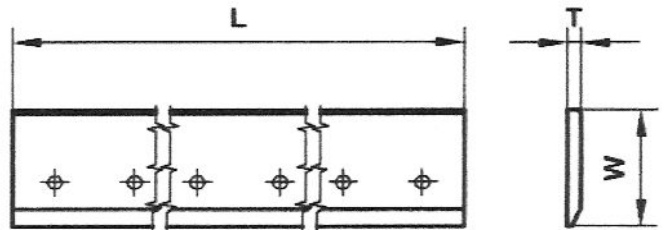
**TYPE 10**



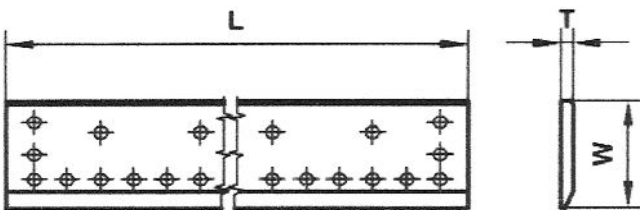
**TYPE 11**



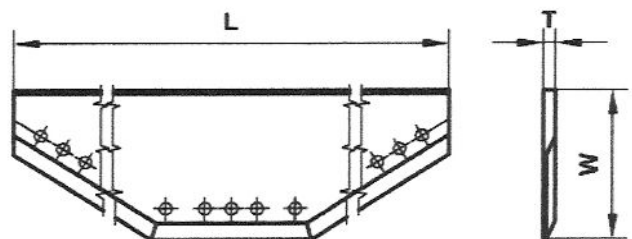
**TYPE 12**



**TYPE 13**



**TYPE 14**



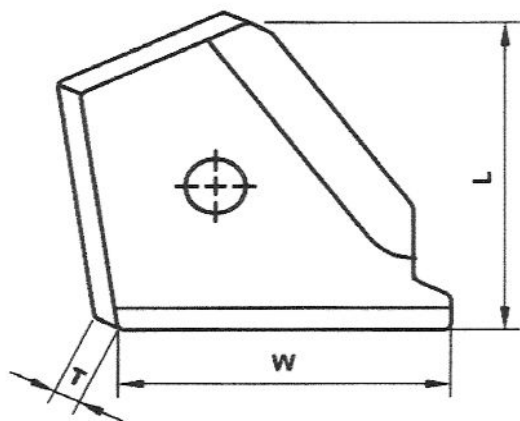
# CATERPILLAR-LOADERS

Corners

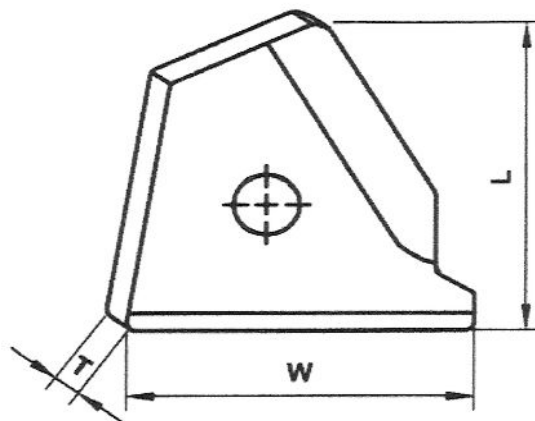


**T O U G H  
C O M P O N E N T S**

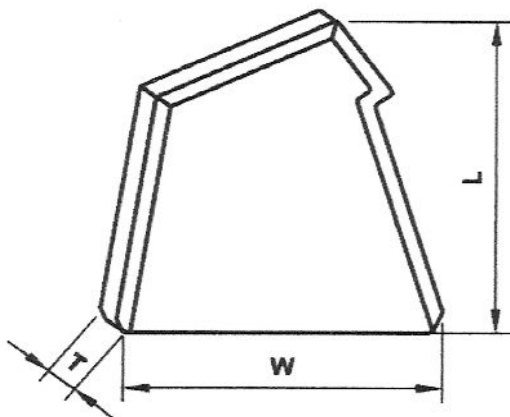
**TYPE 1**



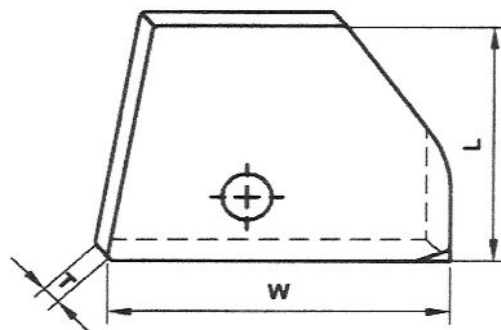
**TYPE 2**



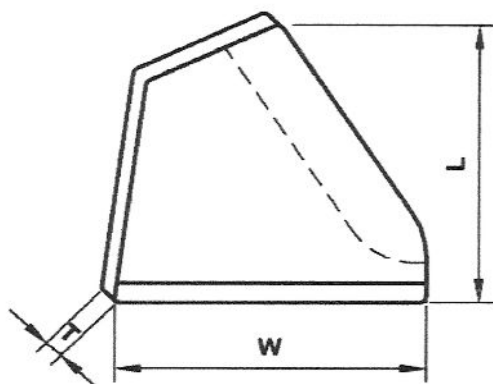
**TYPE 3**



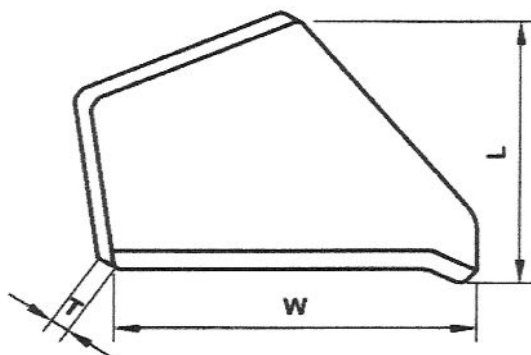
**TYPE 4**



**TYPE 5**



**TYPE 6**



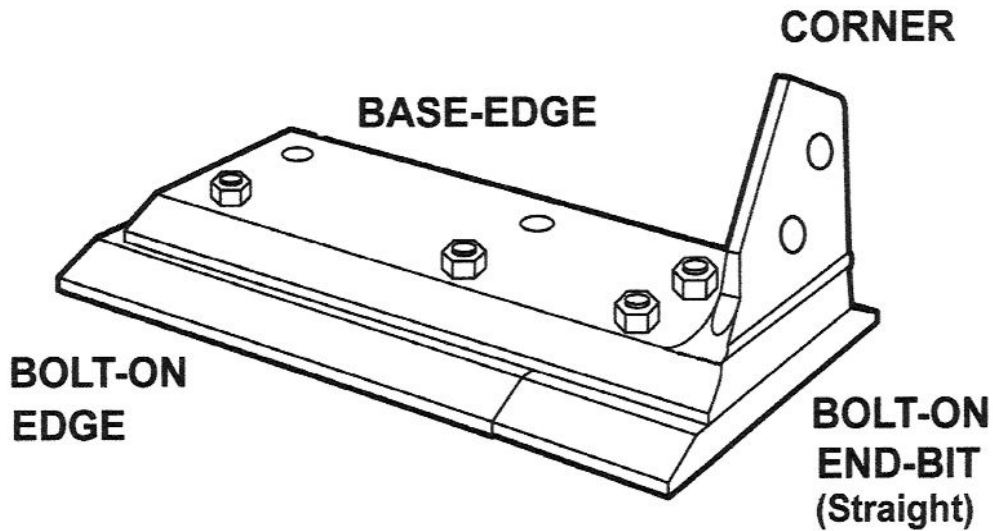
# CATERPILLAR-LOADERS

Bolt-on edges, Applications

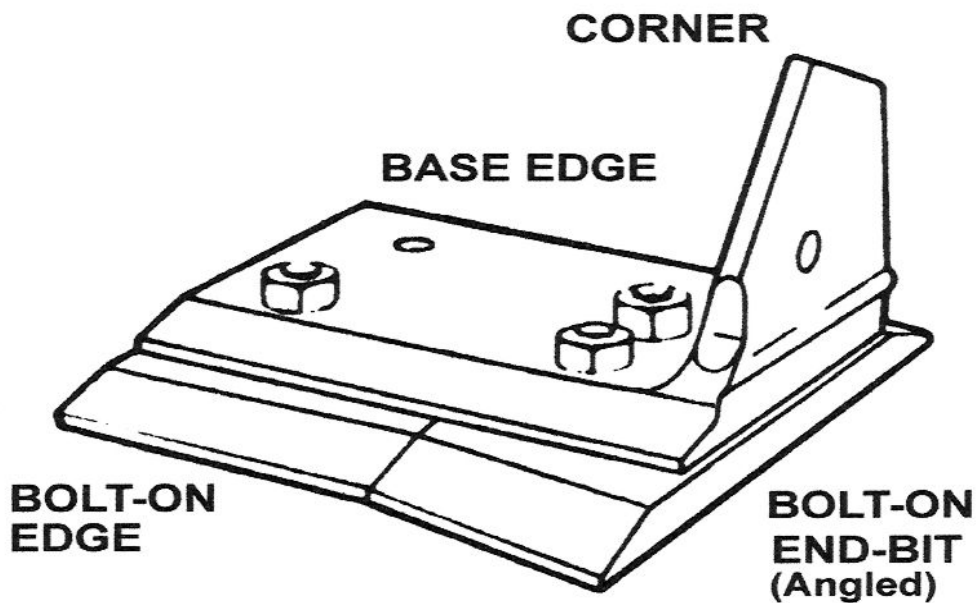


**T O U G H  
C O M P O N E N T S**

## Bolt-on Edge with Straight End-Bit



## Bolt-on Edge with Angled End-Bit



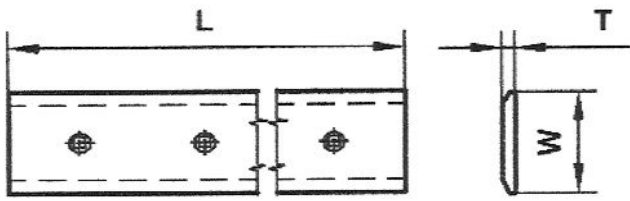
# CATERPILLAR-LOADERS

Bolt-on Edges, End-Bits & Segments

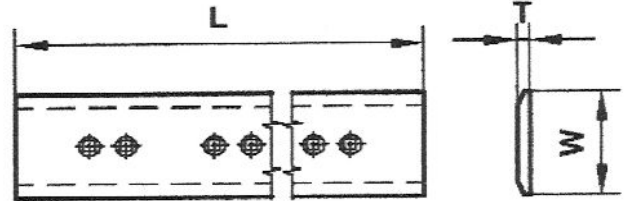


**T O U G H  
C O M P O N E N T S**

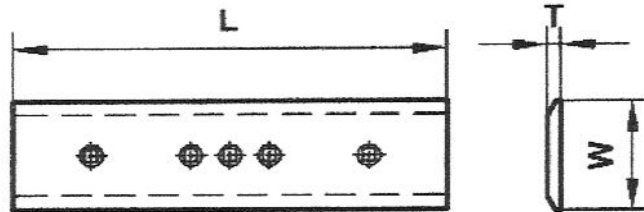
**TYPE 1**



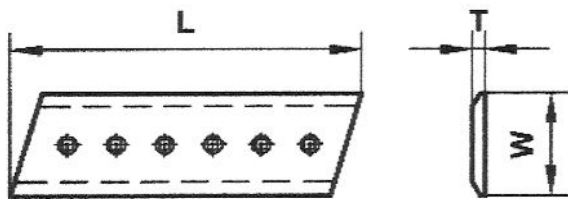
**TYPE 2**



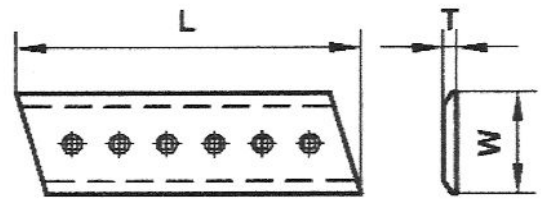
**TYPE 3**



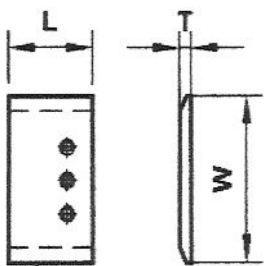
**TYPE 5 RH**



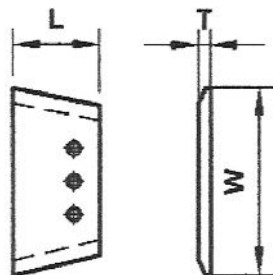
**TYPE 4 LH**



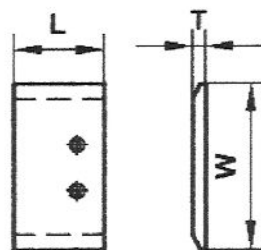
**TYPE 8**



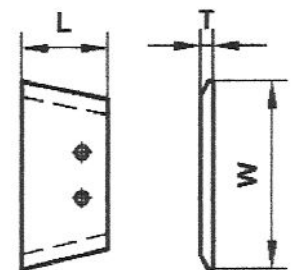
**TYPE 9**



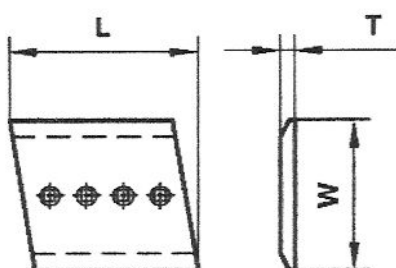
**TYPE 10**



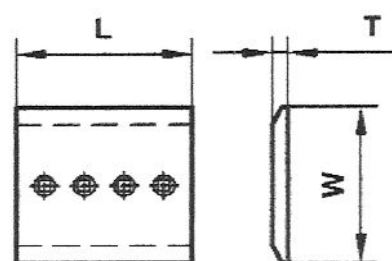
**TYPE 12**



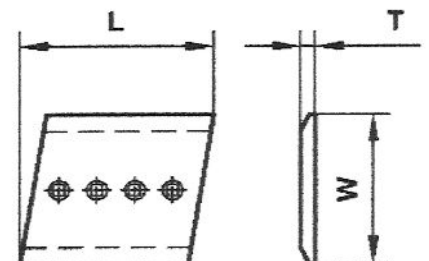
**SEG.2 LH**



**SEG.1**



**SEG.3 RH**



Our parts are not original but they are interchangeable with them. The O.E.M. Part Numbers are give for reference purposes only.

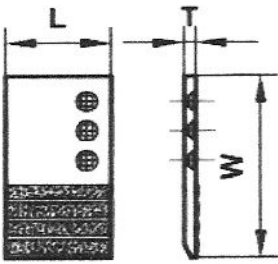
# CATERPILLAR-LOADERS

Bolt-on Edges, End-Bits & Segments AFM

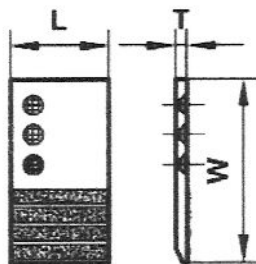


**T O U G H  
C O M P O N E N T S**

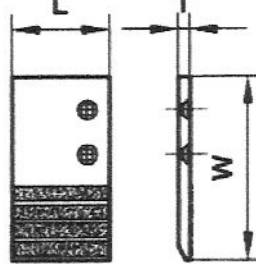
TYPE 12 (AFM)



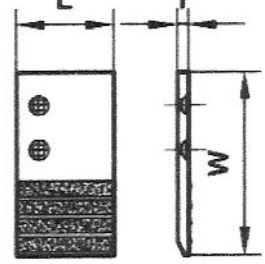
TYPE 13 (AFM)



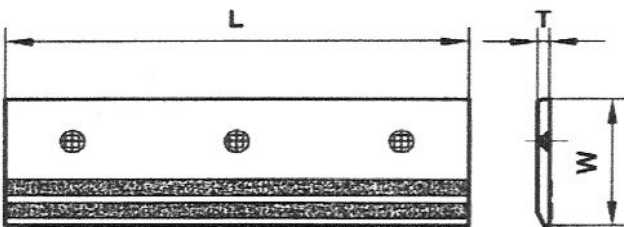
TYPE 14 (AFM)



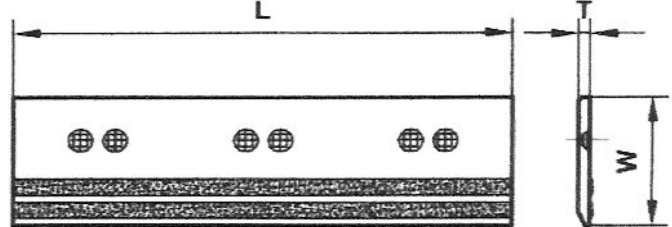
TYPE 15 (AFM)



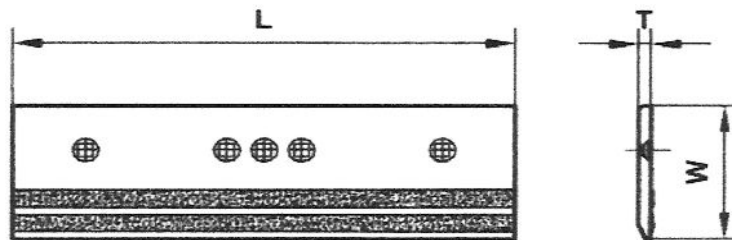
TYPE 18 (AFM)



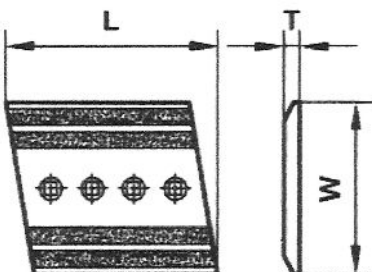
TYPE 19 (AFM)



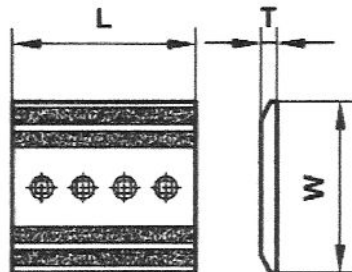
TYPE 20 (AFM)



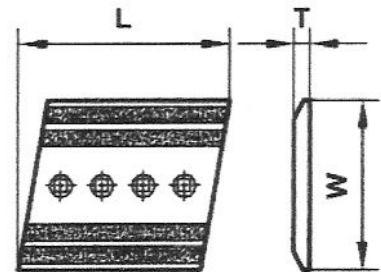
TYPE 32 (AFM)



TYPE 30 (AFM)



TYPE 31 (AFM)



# CATERPILLAR-LOADERS

Base Edges, Bolt-on Edges, End Bits and Segments



**T O U G H  
C O M P O N E N T S**

Tractor Type	O.E.M. Part Number	MTM Part Number	Ref.	Description	No Pcs	Millimeters			Ql. ty.	Nr. H.	FASTENERS			W. Kg.
						W	T	L			Ø	Bolts	Nuts	
994 995D Wheel ROCK BUCKETS	8X 0809		14	Base Edge SPA-STD	1	937	76	5650	MT3	.	.	.	.	2322
	8X 0813		.	Corner RH	1	.	.	.	.	.	.	.	.	110,0
	8X 0816		.	Corner LH	1	.	.	.	.	.	.	.	.	110,0
	8E 3157	001-O03-50	S1	Segment STD-CTR	2	700	50	440	MT2	5	1 1/4"	6V 8360	3K 9770	115,5
	8E 3158	001-O03-51	S3	Segment STD-RH	3	700	50	443/546	MT2	5	1 1/4"	6V 8360	3K 9770	131,3
	8E 3159	001-O03-52	S2	Segment STD-LH	3	700	50	443/546	MT2	5	1 1/4"	6V 8360	3K 9770	131,3
	100-4012	001-O03-53	S1	Segment STD-CTR HD	2	700	60	440	MT2	5	1 1/4"	6V 8360	3K 9770	138,6
	100-4013	001-O03-54	S3	Segment STD-RH HD	3	700	60	443/546	MT2	5	1 1/4"	6V 8360	3K 9770	157,6
	100-4014	001-O03-55	S2	Segment STD-LH HD	3	700	60	443/546	MT2	5	1 1/4"	6V 8360	3K 9770	157,6
	101-5868		14	Base Edge SPA-STD	1	705,6	101	5650	MT3	.	.	.	.	.
	101-9373		.	Corner RH	1	.	.	.	.	.	.	.	.	112,0
	101-9374		.	Corner LH	1	.	.	.	.	.	.	.	.	112,0
	103-1833	001-O03-56	S1	Segment STD-CTR	3	545	75	440	MT2	5	1 1/4"	5P 8823	3K 9770	134,9
	103-1834	001-O03-57	S3	Segment STD-RH	2	545	75	443/588	MT2	5	1 1/4"	5P 8823	3K 9770	157,9
	103-1835	001-O03-58	S2	Segment STD-LH	2	545	75	443/588	MT2	5	1 1/4"	5P 8823	3K 9770	157,9
	110-2339		14	Base Edge SPA-STD	1	830	101	5650	MT3	.	.	.	.	2583
	101-9373		.	Corner RH	1	.	.	.	.	.	.	.	.	112,0
	101-9374		.	Corner LH	1	.	.	.	.	.	.	.	.	112,0
	107-3383	001-O03-59	S1	Segment STD-CTR	1	545	75	556	MT2	5	1 1/4"	5P 8823	3K 9770	170,4
	103-1834	001-O03-57	S3	Segment STD-RH	3	545	75	443/588	MT2	5	1 1/4"	5P 8823	3K 9770	157,9
103-1835	001-O03-58	S2	Segment STD-LH	3	545	75	443/588	MT2	5	1 1/4"	5P 8823	3K 9770	157,9	
121-2104		.	Base Edge SPA-STD	1	1000	101	5650	MT3	.	.	.	.	4015	
121-2364		.	Corner RH	1	.	.	.	.	.	.	.	.	110	
121-2367		.	Corner LH	1	.	.	.	.	.	.	.	.	110	
107-3383	001-O03-59	S1	Segment STD-CTR	1	545	75	556	MT2	5	1 1/4"	5P 8823	3K 9770	170,4	
103-1834	001-O03-57	S3	Segment STD-RH	3	545	75	443/588	MT2	5	1 1/4"	5P 8823	3K 9770	157,9	
103-1835	001-O03-58	S2	Segment STD-LH	3	545	75	443/588	MT2	5	1 1/4"	5P 8823	3K 9770	157,9	
994 Wheel ROCK BUCKETS	101-5865		14	Base Edge SPA-STD	1	829,9	101	6220	MT3	.	.	.	.	2926,0
	101-9373		.	Corner RH	1	.	.	.	.	.	.	.	.	112,0
	101-9374		.	Corner LH	1	.	.	.	.	.	.	.	.	112,0
	103-1833	001-O03-56	S1	Segment STD-CTR	3	545	75	440	MT2	5	1 1/4"	5P 8823	3K 9770	134,9
	103-1834	001-O03-57	S3	Segment STD-RH	2	545	75	443/588	MT2	5	1 1/4"	5P 8823	3K 9770	157,9
	103-1835	001-O03-58	S2	Segment STD-LH	2	545	75	443/588	MT2	5	1 1/4"	5P 8823	3K 9770	157,9
	121-6660		14	Base Edge SPA-STD	1	1000	101	6220	MT3	.	.	.	.	.
	101-9373		.	Corner RH	1	.	.	.	.	.	.	.	.	112,0
	101-9374		.	Corner LH	1	.	.	.	.	.	.	.	.	112,0
	103-1833	001-O03-56	S1	Segment STD-CTR	3	545	75	440	MT2	5	1 1/4"	5P 8823	3K 9770	134,9
	103-1834	001-O03-57	S3	Segment STD-RH	2	545	75	443/588	MT2	5	1 1/4"	5P 8823	3K 9770	157,9
	103-1835	001-O03-58	S2	Segment STD-LH	2	545	75	443/588	MT2	5	1 1/4"	5P 8823	3K 9770	157,9
	102-9914		.	Base Edge STR-STD	1	537	101	5650	MT3	.	.	.	.	2298
	8E 3157	001-O03-50	S1	Segment STD-CTR	7	700	50	440	MT2	5	1 1/4"	6V 8360	3K 9770	115,5
101-6776		.	Base Edge STR-STD	1	537	101	6220	MT3	.	.	.	.	2200,0	
8E 3157	001-O03-50	S1	Segment STD-CTR	7	700	50	440	MT2	5	1 1/4"	6V 8360	3K 9770	115,5	
992 992B Wheel cont.	8K 6603*	001-P00-09	1	Base Edge STR-STD	1	445	60	4312	MT3	.	.	.	.	863,5
	3V 3893	001-513-R00	3	Corner RH	1	268	50	395	MT2	.	.	.	.	30,5
	3V 3894	001-513-L00	3	Corner LH	1	268	50	395	MT2	.	.	.	.	30,5
	9K 0075*	001-P00-09	1	Base Edge STR-STD	1	445	60	4312	MT3	.	.	.	.	863,5

\*8K 6603 replaced by 9V 0009.

\*9K 0075 replaced by 9V 0009

# CATERPILLAR-LOADERS

Base Edges, Bolt-on Edges, End Bits and Segments



**T O U G H  
C O M P O N E N T S**

Tractor Type	O.E.M.Part Number	MTM Part Number	Ref.	Description	No Pcs	Millimeters			Ql. ty.	Nr. H.	FASTENERS			W. Kg.
						W	T	L			Ø	Bolts	Nuts	
<b>992 992B</b> Wheel GEN.PURP. BUCKETS	3V 3893	001-513-R00	3	Corner RH	1	268	50	395	MT2	.	.	.	.	30,5
	3V 3894	001-513-L00	3	Corner LH	1	268	50	395	MT2	.	.	.	.	30,5
	8K 6604*	001-P00-08	4	Base Edge SPA-STD	1	838	60	4312	MT3	.	.	.	.	1275
	3V 3893	001-513-R00	3	Corner RH	1	268	50	395	MT2	.	.	.	.	30,5
	3V 3894	001-513-L00	3	Corner LH	1	268	50	395	MT2	.	.	.	.	30,5
	2V 6120*	001-P00-08	4	Base Edge SPA-STD	1	838	60	4312	MT3	.	.	.	.	1275
	3V 3893	001-513-R00	3	Corner RH	1	268	50	395	MT2	.	.	.	.	30,5
3V 3894	001-513-L00	3	Corner LH	1	268	50	395	MT2	.	.	.	.	30,5	
<b>992C</b> Wheel ROCK BUCKETS	3V 3234*	001-P00-06	4	Base Edge SPA-STD	1	921	65	4597	MT3	.	.	.	.	1698
	3V 3240	.	.	Corner RH	1	.	.	.	MT2	.	.	.	.	31
	3V 3239	.	.	Corner LH	1	.	.	.	MT2	.	.	.	.	31
	3V 3890	001-P00-07	1	Base Edge STR-STD	1	543	65	4597	MT3	.	.	.	.	1217
	3V 3893	001-513-R00	3	Corner RH	1	268	50	395	MT2	.	.	.	.	30,5
	3V 3894	001-513-L00	3	Corner LH	1	268	50	395	MT2	.	.	.	.	30,5
	9V 0005	001-P00-01	4	Base Edge SPA-STD	1	921	65	4750	MT3	.	.	.	.	1760
	9V 6132	.	.	Corner RH/LH	2	.	.	.	MT2	.	.	.	.	39
	9V 0007	001-P00-05	1	Base Edge STR-STD	1	544	65	4750	MT3	.	.	.	.	1240
	5V 5403	001-509-X00	3	Corner RH/LH	2	345	50	365	MT2	.	.	.	.	35
	4E 6462	001-P00-02	14	Base Edge SPA-STD	1	921	65	4750	MT3	.	.	.	.	1648
	145-6995	.	.	Corner RH/LH	2	.	.	.	.	.	.	.	.	63
	4T 6760	001-O01-41	S1	Segment STD-CTR	1	590	40	410	MT2	4	1 1/4"	5P 8823	3K 9770	72,57
	4T 6761	001-O01-42	S3	Segment STD-RH	3	590	40	609/451	MT2	4	1 1/4"	5P 8823	3K 9770	80
	4T 6762	001-O01-43	S2	Segment STD-LH	3	590	40	609/451	MT2	4	1 1/4"	5P 8823	3K 9770	80
	107-3530	001-O02-56	S1	Segment STD-CTR HD	1	590	50	410	MT2	4	1 1/4"	5P 8823	3K 9770	90,71
	107-3531	001-O02-57	S3	Segment STD-RH HD	3	590	50	609/451	MT2	4	1 1/4"	5P 8823	3K 9770	99,8
	107-3532	001-O02-58	S2	Segment STD-LH HD	3	590	50	609/451	MT2	4	1 1/4"	5P 8823	3K 9770	99,8
	107-6294	001-O03-17	S1	Segment STD-CTR-EXT HD	1	590	60	410	MT2	4	1 1/4"	5P 8823	3K 9770	108,9
	107-6295	001-O03-18	S3	Segment STD-RH-EXT HD	3	590	60	609/451	MT2	4	1 1/4"	5P 8823	3K 9770	119,7
	107-6296	001-O03-19	S2	Segment STD-LH-EXT HD	3	590	60	609/451	MT2	4	1 1/4"	5P 8823	3K 9770	119,7
	9V 0006	001-P00-03	4	Base Edge SPA-STD	1	838	65	4750	MT3	.	.	.	.	1520
	4E 6386	.	.	Corner RH/LH	2	.	.	.	.	.	.	.	.	60
	9V 3566	.	14	Base Edge SPA-STD	1	835	65	4750	MT3	.	.	.	.	1372,0
	4E 6386	.	.	Corner RH/LH	2	.	.	.	.	.	.	.	.	60,0
	4T 6760	001-O01-41	S1	Segment STD-CTR	1	590	40	410	MT2	4	1 1/4"	5P 8823	3K 9770	72,57
	4T 6761	001-O01-42	S3	Segment STD-RH	3	590	40	609/451	MT2	4	1 1/4"	5P 8823	3K 9770	80
	4T 6762	001-O01-43	S2	Segment STD-LH	3	590	40	609/451	MT2	4	1 1/4"	5P 8823	3K 9770	80
	107-3530	001-O02-56	S1	Segment STD-CTR HD	1	590	50	410	MT2	4	1 1/4"	5P 8823	3K 9770	90,71
	107-3531	001-O02-57	S3	Segment STD-RH HD	3	590	50	609/451	MT2	4	1 1/4"	5P 8823	3K 9770	99,8
	107-3532	001-O02-58	S2	Segment STD-LH HD	3	590	50	609/451	MT2	4	1 1/4"	5P 8823	3K 9770	99,8
	107-6294	001-O03-17	S1	Segment STD-CTR-EXT HD	1	590	60	410	MT2	4	1 1/4"	5P 8823	3K 9770	108,9
107-6295	001-O03-18	S3	Segment STD-RH-EXT HD	3	590	60	609/451	MT2	4	1 1/4"	5P 8823	3K 9770	119,7	
107-6296	001-O03-19	S2	Segment STD-LH-EXT HD	3	590	60	609/451	MT2	4	1 1/4"	5P 8823	3K 9770	119,7	
<b>992D</b> Wheel ROCK BUCKETS cont.	9V 3566	.	14	Base Edge SPA-STD	1	835	65	4750	MT3	.	.	.	.	1371,0
	145-6995	.	.	Corner RH/LH	2	.	.	.	.	.	.	.	.	63
	4T 6760	001-O01-41	S1	Segment STD-CTR	1	590	40	410	MT2	4	1 1/4"	5P 8823	3K 9770	72,57
	4T 6761	001-O01-42	S3	Segment STD-RH	3	590	40	609/451	MT2	4	1 1/4"	5P 8823	3K 9770	80
	4T 6762	001-O01-43	S2	Segment STD-LH	3	590	40	609/451	MT2	4	1 1/4"	5P 8823	3K 9770	80

\*8K 6604 replaced by 9V 0008.

\*2V 6120 replaced by 9V 0008 end 3V 3234 replaced by 9V 4370.



# CATERPILLAR-LOADERS

Base Edges, Bolt-on Edges, End Bits and Segments



**T O U G H  
C O M P O N E N T S**

Tractor Type	O.E.M.Part Number	MTM Part Number	Ref.	Description	No Pcs	Millimeters			Ql. ty.	Nr. H.	FASTENERS			W. Kg.
						W	T	L			Ø	Bolts	Nuts	
<b>992D</b>	107-3530	001-002-56	S1	Segment STD-CTR HD	1	590	50	410	MT2	4	1 1/4"	5P 8823	3K 9770	90,71
<b>Wheel</b>	107-3531	001-002-57	S3	Segment STD-RH HD	3	590	50	609/451	MT2	4	1 1/4"	5P 8823	3K 9770	99,8
<b>ROCK BUCKETS</b>	107-3532	001-002-58	S2	Segment STD-LH HD	3	590	50	609/451	MT2	4	1 1/4"	5P 8823	3K 9770	99,8
	107-6294	001-003-17	S1	Segment STD-CTR-EXT HD	1	590	60	410	MT2	4	1 1/4"	5P 8823	3K 9770	108,9
	107-6295	001-003-18	S3	Segment STD-RH-EXT HD	3	590	60	609/451	MT2	4	1 1/4"	5P 8823	3K 9770	119,7
	107-6296	001-003-19	S2	Segment STD-LH-EXT HD	3	590	60	609/451	MT2	4	1 1/4"	5P 8823	3K 9770	119,7
	4E 6462	001-P00-02	14	Base Edge SPA-STD	1	921	65	4750	MT3	.	.	.	.	1648
	145-6997	.	.	Corner RH/LH	2	.	.	.	.	.	.	.	.	62
	6I 8364	001-001-86	3	Bolt-on Edge STD-CTR	1	590	40	886	MT2	6	1 1/4"	5P 8823	3K 9770	156,8
	6I 8365	001-001-92	5	Bolt-on Edge STD-RH/CTR	1	590	40	1066/122	MT2	6	1 1/4"	5P 8823	3K 9770	188,7
	6I 8367	001-001-91	4	Bolt-on Edge STD-LH/CTR	1	590	40	1066/122	MT2	6	1 1/4"	5P 8823	3K 9770	188,7
	6I 8366	001-001-88	5	Bolt-on Edge STD-RH/END	1	590	40	946/1104	MT2	6	1 1/4"	5P 8823	3K 9770	167,4
	6I 8368	001-001-87	4	Bolt-on Edge STD-LH/END	1	590	40	946/1104	MT2	6	1 1/4"	5P 8823	3K 9770	167,4
	127-7429	001-002-99	3	Bolt-on Edge STD-CTR HD	1	590	50	886	MT2	6	1 1/4"	5P 8823	3K 9770	196,0
	127-7433	001-003-03	5	Bolt-on Edge STD-RH/CTR HD	1	590	50	1224/106	MT2	6	1 1/4"	5P 8823	3K 9770	235,8
	127-7432	001-003-02	4	Bolt-on Edge STD-LH/CTR HD	1	590	50	1224/106	MT2	6	1 1/4"	5P 8823	3K 9770	235,8
127-7431	001-003-01	5	Bolt-on Edge STD-RH/END HD	1	590	50	1104/946	MT2	6	1 1/4"	5P 8823	3K 9770	209,3	
127-7430	001-003-00	4	Bolt-on Edge STD-LH/END HD	1	590	50	1104/946	MT2	6	1 1/4"	5P 8823	3K 9770	209,3	
4E 6462	001-P00-02	14	Base Edge SPA-STD	1	921	65	4750	MT3	.	.	.	.	1648	
4E 6387	.	.	Corner RH/LH	2	.	.	.	.	.	.	.	.	74	
4T 6760	001-001-41	S1	Segment STD-CTR	1	590	40	410	MT2	4	1 1/4"	5P 8823	3K 9770	72,57	
4T 6761	001-001-42	S3	Segment STD-RH	3	590	40	609/451	MT2	4	1 1/4"	5P 8823	3K 9770	80	
4T 6762	001-001-43	S2	Segment STD-LH	3	590	40	609/451	MT2	4	1 1/4"	5P 8823	3K 9770	80	
107-3530	001-002-56	S1	Segment STD-CTR HD	1	590	50	410	MT2	4	1 1/4"	5P 8823	3K 9770	90,71	
107-3531	001-002-57	S3	Segment STD-RH HD	3	590	50	609/451	MT2	4	1 1/4"	5P 8823	3K 9770	99,8	
107-3532	001-002-58	S2	Segment STD-LH HD	3	590	50	609/451	MT2	4	1 1/4"	5P 8823	3K 9770	99,8	
9U 3846	.	.	Base Edge STR-STD	1	541	65	4750	MT3	.	.	.	.	1253	
145-6997	.	.	Corner	2	.	.	.	.	.	.	.	.	62	
4T 6760	001-001-41	S1	Segment STD-CTR	7	590	40	410	MT2	4	1 1/4"	5P 8823	3K 9770	72,57	
107-3530	001-002-56	S1	Segment STD-CTR HD	7	590	50	410	MT2	4	1 1/4"	5P 8823	3K 9770	90,71	
107-6294	001-003-17	S1	Segment STD-CTR-EXT HD	7	590	60	410	MT2	4	1 1/4"	5P 8823	3K 9770	108,9	
4E 6462	001-P00-02	14	Base Edge SPA-STD	1	921	65	4750	MT3	.	.	.	.	1648	
2Q 3962	.	.	Corner RH/LH	2	.	.	.	.	.	.	.	.	.	
107-8570	.	.	14 Base Edge SPA-STD	1	921	70	4750	MT3	.	.	.	.	.	
145-5995	.	.	Corner	2	.	.	.	.	.	.	.	.	.	
4T 6760	001-001-41	S1	Segment STD-CTR	1	590	40	410	MT2	4	1 1/4"	5P 8823	3K 9770	72,57	
4T 6761	001-001-42	S3	Segment STD-RH	3	590	40	609/451	MT2	4	1 1/4"	5P 8823	3K 9770	80	
4T 6762	001-001-43	S2	Segment STD-LH	3	590	40	609/451	MT2	4	1 1/4"	5P 8823	3K 9770	80	
107-3530	001-002-56	S1	Segment STD-CTR HD	1	590	50	410	MT2	4	1 1/4"	5P 8823	3K 9770	90,71	
107-3531	001-002-57	S3	Segment STD-RH HD	3	590	50	609/451	MT2	4	1 1/4"	5P 8823	3K 9770	99,8	
107-3532	001-002-58	S2	Segment STD-LH HD	3	590	50	609/451	MT2	4	1 1/4"	5P 8823	3K 9770	99,8	
107-6294	001-003-17	S1	Segment STD-CTR-EXT HD	1	590	60	410	MT2	4	1 1/4"	5P 8823	3K 9770	108,9	
107-6295	001-003-18	S3	Segment STD-RH-EXT HD	3	590	60	609/451	MT2	4	1 1/4"	5P 8823	3K 9770	119,7	
107-6296	001-003-19	S2	Segment STD-LH-EXT HD	3	590	60	609/451	MT2	4	1 1/4"	5P 8823	3K 9770	119,7	
<b>992G</b>	132-7092	.	14	Base Edge SPA-STD	1	826	65	4824	MT3	.	.	.	.	.
<b>Wheel</b>	112-8996	.	.	Corner RH/LH	2	.	.	.	.	.	.	.	.	.
<b>ROCK BUCKETS</b>	4T 6760	001-001-41	S1	Segment STD-CTR	1	590	40	410	MT2	4	1 1/4"	5P 8823	3K 9770	72,57
	4T 6761	001-001-42	S3	Segment STD-RH	3	590	40	609/451	MT2	4	1 1/4"	5P 8823	3K 9770	80

# CATERPILLAR-LOADERS

Base Edges, Bolt-on Edges, End Bits and Segments



**T O U G H  
C O M P O N E N T S**

Tractor Type	O.E.M. Part Number	MTM Part Number	Ref.	Description	No Pcs	Millimeters			Ql. ty.	Nr. H.	FASTENERS			W. Kg.
						W	T	L			Ø	Bolts	Nuts	
<b>992G</b>	4T 6762	001-001-43	S2	Segment STD-LH	3	590	40	609/451	MT2	4	1 1/4"	5P 8823	3K 9770	80
<b>Wheel</b>	107-3530	001-002-56	S1	Segment STD-CTR HD	1	590	50	410	MT2	4	1 1/4"	5P 8823	3K 9770	90,71
<b>ROCK BUCKETS</b>	107-3531	001-002-57	S3	Segment STD-RH HD	3	590	50	609/451	MT2	4	1 1/4"	5P 8823	3K 9770	99,8
	107-3532	001-002-58	S2	Segment STD-LH HD	3	590	50	609/451	MT2	4	1 1/4"	5P 8823	3K 9770	99,8
	146-8966	.	.	Base Edge	1	.	.	.	.	.	.	.	.	.
	112-8996	.	.	Corner RH/LH	2	.	.	.	.	.	.	.	.	.
	4T 6760	001-001-41	S1	Segment STD-CTR	1	590	40	410	MT2	4	1 1/4"	5P 8823	3K 9770	72,57
	4T 6761	001-001-42	S3	Segment STD-RH	3	590	40	609/451	MT2	4	1 1/4"	5P 8823	3K 9770	80
	4T 6762	001-001-43	S2	Segment STD-LH	3	590	40	609/451	MT2	4	1 1/4"	5P 8823	3K 9770	80
	107-3530	001-002-56	S1	Segment STD-CTR HD	1	590	50	410	MT2	4	1 1/4"	5P 8823	3K 9770	90,71
	107-3531	001-002-57	S3	Segment STD-RH HD	3	590	50	609/451	MT2	4	1 1/4"	5P 8823	3K 9770	99,8
	107-3532	001-002-58	S2	Segment STD-LH HD	3	590	50	609/451	MT2	4	1 1/4"	5P 8823	3K 9770	99,8
	107-6294	001-003-17	S1	Segment STD-CTR-EXT HD	1	590	60	410	MT2	4	1 1/4"	5P 8823	3K 9770	108,9
	107-6295	001-003-18	S3	Segment STD-RH-EXT HD	3	590	60	609/451	MT2	4	1 1/4"	5P 8823	3K 9770	119,7
	107-6296	001-003-19	S2	Segment STD-LH-EXT HD	3	590	60	609/451	MT2	4	1 1/4"	5P 8823	3K 9770	119,7
	112-9033	.	14	Base Edge SPA-STD	1	826	70	4824	MT3	.	.	.	.	.
	112-9005	.	.	Corner RH/LH	2	.	.	.	.	.	.	.	.	.
	4T 6760	001-001-41	S1	Segment STD-CTR	1	590	40	410	MT2	4	1 1/4"	5P 8823	3K 9770	72,57
	4T 6761	001-001-42	S3	Segment STD-RH	3	590	40	609/451	MT2	4	1 1/4"	5P 8823	3K 9770	80
	4T 6762	001-001-43	S2	Segment STD-LH	3	590	40	609/451	MT2	4	1 1/4"	5P 8823	3K 9770	80
	107-3530	001-002-56	S1	Segment STD-CTR HD	1	590	50	410	MT2	4	1 1/4"	5P 8823	3K 9770	90,71
	107-3531	001-002-57	S3	Segment STD-RH HD	3	590	50	609/451	MT2	4	1 1/4"	5P 8823	3K 9770	99,8
	107-3532	001-002-58	S2	Segment STD-LH HD	3	590	50	609/451	MT2	4	1 1/4"	5P 8823	3K 9770	99,8
	112-9033	.	14	Base Edge SPA-STD	1	826	70	4824	MT3	.	.	.	.	.
	112-8996	.	.	Corner RH/LH	2	.	.	.	.	.	.	.	.	.
	4T 6760	001-001-41	S1	Segment STD-CTR	1	590	40	410	MT2	4	1 1/4"	5P 8823	3K 9770	72,57
	4T 6761	001-001-42	S3	Segment STD-RH	3	590	40	609/451	MT2	4	1 1/4"	5P 8823	3K 9770	80
	4T 6762	001-001-43	S2	Segment STD-LH	3	590	40	609/451	MT2	4	1 1/4"	5P 8823	3K 9770	80
	107-6294	001-003-17	S1	Segment STD-CTR-EXT HD	1	590	60	410	MT2	4	1 1/4"	5P 8823	3K 9770	108,9
	107-6295	001-003-18	S3	Segment STD-RH-EXT HD	3	590	60	609/451	MT2	4	1 1/4"	5P 8823	3K 9770	119,7
	107-6296	001-003-19	S2	Segment STD-LH-EXT HD	3	590	60	609/451	MT2	4	1 1/4"	5P 8823	3K 9770	119,7
	170-1748	.	.	Base Edge SPA-STD	1	.	.	.	.	.	.	.	.	.
	112-9005	.	.	Corner RH/LH	2	.	.	.	.	.	.	.	.	.
	6I 8364	001-001-86	3	Bolt-on Edge STD-CTR	1	590	40	886	MT2	6	1 1/4"	5P 8823	3K 9770	156,8
	6I 8365	001-001-92	5	Bolt-on Edge STD-RH/CTR	1	590	40	1066/1224	MT2	6	1 1/4"	5P 8823	3K 9770	188,7
	6I 8367	001-001-91	4	Bolt-on Edge STD-LH/CTR	1	590	40	1066/1224	MT2	6	1 1/4"	5P 8823	3K 9770	188,7
	6I 8366	001-001-88	5	Bolt-on Edge STD-RH/END	1	590	40	946/1104	MT2	6	1 1/4"	5P 8823	3K 9770	167,4
	6I 8368	001-001-87	4	Bolt-on Edge STD-LH/END	1	590	40	946/1104	MT2	6	1 1/4"	5P 8823	3K 9770	167,4
	127-7429	001-002-99	3	Bolt-on Edge STD-CTR HD	1	590	50	886	MT2	6	1 1/4"	5P 8823	3K 9770	196,0
	127-7433	001-003-03	5	Bolt-on Edge STD-RH/CTR HD	1	590	50	1224/1066	MT2	6	1 1/4"	5P 8823	3K 9770	235,8
	127-7432	001-003-02	4	Bolt-on Edge STD-LH/CTR HD	1	590	50	1224/1066	MT2	6	1 1/4"	5P 8823	3K 9770	235,8
	127-7431	001-003-01	5	Bolt-on Edge STD-RH/END HD	1	590	50	1104/946	MT2	6	1 1/4"	5P 8823	3K 9770	209,3
	127-7430	001-003-00	4	Bolt-on Edge STD-LH/END HD	1	590	50	1104/946	MT2	6	1 1/4"	5P 8823	3K 9770	209,3
<b>990</b>	101-9188	.	.	Base Edge SPA-STD	1	.	.	.	.	.	.	.	.	1335
<b>Wheel</b>	145-6990	.	.	Corner RH/LH	2	.	.	.	.	.	.	.	.	.
<b>ROCK BUCKETS</b>	151-5980	.	.	Base Edge SPA-STD	1	.	.	4450	.	.	.	.	.	.
	145-6989	.	.	Corner RH/LH	2	.	.	.	.	.	.	.	.	.
cont.	106-6421	001-001-90	5	Bolt-on Edge STD-RH/CTR	1	590	40	1029/1181	MT2	6	1 1/4"	5P 8823	3K 9770	182,1

# CATERPILLAR-LOADERS

Base Edges, Bolt-on Edges, End Bits and Segments



**T O U G H  
COMPONENTS**

Tractor Type	O.E.M. Part Number	MTM Part Number	Ref.	Description	No Pcs	Millimeters			Ql. ty.	Nr. H.	FASTENERS			W. Kg.
						W	T	L			Ø	Bolts	Nuts	
<b>990</b>	162-3297	.	5	Bolt-on Edge STD-RH/END	1	.	.	.	MT2	7	1 1/4"	5P 8823	3K 9770	.
<b>Wheel</b>	106-6420	001-001-83	3	Bolt-on Edge STD-CTR	1	660	40	828	MT2	6	1 1/4"	5P 8823	3K 9770	163,9
<b>ROCK</b>	106-6423	001-001-89	4	Bolt-on Edge STD-LH/CTR	1	590	40	1029/118	MT2	6	1 1/4"	5P 8823	3K 9770	182,1
<b>BUCKETS</b>	162-3296	.	4	Bolt-on Edge STD-LH/END	1	.	.	.	.	7	1 1/4"	5P 8823	3K 9770	.
	4E 9915	.	14	Base Edge SPA-STD	1	801	65	4450	MT3	.	.	.	.	.
	145-6990	.	.	Corner RH/LH	2	.	.	.	.	.	.	.	.	.
	4T 6760	001-001-41	S1	Segment STD-CTR	1	590	40	410	MT2	4	1 1/4"	5P 8823	3K 9770	72,57
	4T 6761	001-001-42	S3	Segment STD-RH	3	590	40	609/451	MT2	4	1 1/4"	5P 8823	3K 9770	80
	4T 6762	001-001-43	S2	Segment STD-LH	3	590	40	609/451	MT2	4	1 1/4"	5P 8823	3K 9770	80
	107-3530	001-002-56	S1	Segment STD-CTR HD	1	590	50	410	MT2	4	1 1/4"	5P 8823	3K 9770	90,71
	107-3531	001-002-57	S3	Segment STD-RH HD	3	590	50	609/451	MT2	4	1 1/4"	5P 8823	3K 9770	99,8
	107-3532	001-002-58	S2	Segment STD-LH HD	3	590	50	609/451	MT2	4	1 1/4"	5P 8823	3K 9770	99,8
	107-6294	001-003-17	S1	Segment STD-CTR-EXT HD	1	590	60	410	MT2	4	1 1/4"	5P 8823	3K 9770	108,9
	107-6295	001-003-18	S3	Segment STD-RH-EXT HD	3	590	60	609/451	MT2	4	1 1/4"	5P 8823	3K 9770	119,7
	107-6296	001-003-19	S2	Segment STD-LH-EXT HD	3	590	60	609/451	MT2	4	1 1/4"	5P 8823	3K 9770	119,7
	4E 9915	.	14	Base Edge SPA-STD	1	801	65	4450	MT3	.	.	.	.	.
	9U 2029	.	.	Corner RH/LH	2	.	.	.	.	.	.	.	.	.
	4E 9915	.	14	Base Edge SPA-STD	1	801	65	4450	MT3	.	.	.	.	.
	145-6989	.	.	Corner RH/LH	2	.	.	.	.	.	.	.	.	.
	106-6421	001-001-90	5	Bolt-on Edge STD-RH/CTR	1	590	40	1029/118	MT2	6	1 1/4"	5P 8823	3K 9770	182,1
	162-3297	.	5	Bolt-on Edge STD-RH/END	1	.	.	.	MT2	7	1 1/4"	5P 8823	3K 9770	.
	106-6420	001-001-83	3	Bolt-on Edge STD-CTR	1	660	40	828	MT2	6	1 1/4"	5P 8823	3K 9770	163,9
	106-6423	001-001-89	4	Bolt-on Edge STD-LH/CTR	1	590	40	1029/118	MT2	6	1 1/4"	5P 8823	3K 9770	182,1
	162-3296	.	4	Bolt-on Edge STD-LH/END	1	.	.	.	.	7	1 1/4"	5P 8823	3K 9770	.
	101-9186	.	13	Base Edge STR-STD	1	441	65	4450	MT3	.	.	.	.	956,7
	145-6990	.	.	Corner RH/LH	2	.	.	.	.	.	.	.	.	.
	106-6377	001-001-95	1	Bolt-on Edge STD-CTR	2	590	40	810	MT2	5	1 1/4"	5P 8823	3K 9770	143,4
	106-6378	001-001-96	3	Bolt-on Edge STD-R/LH	1	590	40	1430	MT2	6	1 1/4"	5P 8823	3K 9770	253,1
	4T 6760	001-001-41	S1	Segment STD-CTR	7	590	40	410	MT2	4	1 1/4"	5P 8823	3K 9770	72,6
	107-3530	001-002-56	S1	Segment STD-CTR HD	7	590	50	410	MT2	4	1 1/4"	5P 8823	3K 9770	90,7
	119-9600	001-003-36	S1	Segment STD-CTR-EXT HD	7	590	60	410	MT2	4	1 1/4"	5P 8823	3K 9770	108,9
	101-9186	.	13	Base Edge STR-STD	1	441	65	4450	MT3	.	.	.	.	956,7
	4E 9888	.	.	Corner RH/LH	2	.	.	.	.	.	.	.	.	.
	111-9049	.	1	Base Edge STR-STD	1	506	65	4450	MT3	.	.	.	.	.
	111-9047	.	.	Corner RH/LH	2	.	.	.	.	.	.	.	.	.
	2Q 4247	.	14	Base Edge SPA-STD	1	881	65	4610	MT3	.	.	.	.	.
	145-6990	.	.	Corner RH/LH	2	.	.	.	.	.	.	.	.	.
	4T 6760	001-001-41	S1	Segment STD-CTR	1	590	40	410	MT2	4	1 1/4"	5P 8823	3K 9770	72,57
	4T 6761	001-001-42	S3	Segment STD-RH	3	590	40	609/451	MT2	4	1 1/4"	5P 8823	3K 9770	80
	4T 6762	001-001-43	S2	Segment STD-LH	3	590	40	609/451	MT2	4	1 1/4"	5P 8823	3K 9770	80
	107-3530	001-002-56	S1	Segment STD-CTR HD	1	590	50	410	MT2	4	1 1/4"	5P 8823	3K 9770	90,71
	107-3531	001-002-57	S3	Segment STD-RH HD	3	590	50	609/451	MT2	4	1 1/4"	5P 8823	3K 9770	99,8
	107-3532	001-002-58	S2	Segment STD-LH HD	3	590	50	609/451	MT2	4	1 1/4"	5P 8823	3K 9770	99,8
	107-6294	001-003-17	S1	Segment STD-CTR-EXT HD	1	590	60	410	MT2	4	1 1/4"	5P 8823	3K 9770	108,9
	107-6295	001-003-18	S3	Segment STD-RH-EXT HD	3	590	60	609/451	MT2	4	1 1/4"	5P 8823	3K 9770	119,7
	107-6296	001-003-19	S2	Segment STD-LH-EXT HD	3	590	60	609/451	MT2	4	1 1/4"	5P 8823	3K 9770	119,7
cont.	4E 9915	.	14	Base Edge SPA-STD	1	801	65	4450	MT3	.	.	.	.	1286

# CATERPILLAR-LOADERS

Base Edges, Bolt-on Edges, End Bits and Segments



**T O U G H  
COMPONENTS**

Tractor Type	O.E.M. Part Number	MTM Part Number	Ref.	Description	No Pcs	Millimeters			Ql. ty.	Nr. H.	FASTENERS			W. Kg.
						W	T	L			Ø	Bolts	Nuts	
<b>990</b>	145-6993	.	.	Corner RH/LH	2	.	.	.	.	.	.	.	.	.
<b>Wheel</b>	4T 6760	001-001-41	S1	Segment STD-CTR	1	590	40	410	MT2	4	1 1/4"	5P 8823	3K 9770	72,57
<b>ROCK BUCKETS</b>	4T 6761	001-001-42	S3	Segment STD-RH	3	590	40	609/451	MT2	4	1 1/4"	5P 8823	3K 9770	80
	4T 6762	001-001-43	S2	Segment STD-LH	3	590	40	609/451	MT2	4	1 1/4"	5P 8823	3K 9770	80
	107-3530	001-002-56	S1	Segment STD-CTR HD	1	590	50	410	MT2	4	1 1/4"	5P 8823	3K 9770	90,71
	107-3531	001-002-57	S3	Segment STD-RH HD	3	590	50	609/451	MT2	4	1 1/4"	5P 8823	3K 9770	99,8
	107-3532	001-002-58	S2	Segment STD-LH HD	3	590	50	609/451	MT2	4	1 1/4"	5P 8823	3K 9770	99,8
	107-6294	001-003-17	S1	Segment STD-CTR-EXT HD	1	590	60	410	MT2	4	1 1/4"	5P 8823	3K 9770	108,9
	107-6295	001-003-18	S3	Segment STD-RH-EXT HD	3	590	60	609/451	MT2	4	1 1/4"	5P 8823	3K 9770	119,7
	107-6296	001-003-19	S2	Segment STD-LH-EXT HD	3	590	60	609/451	MT2	4	1 1/4"	5P 8823	3K 9770	119,7
<b>988</b>	8K 6539*	001-P01-42	.	Base Edge STR-STD	1	300	45	3270	MT2	.	.	.	.	331,1
<b>Wheel</b>	7K 9309	001-523-X00	6	Corner RH	1	318	35	252	MT2	.	.	.	.	15,0
<b>ROCK BUCKETS</b>	7K 9310	001-523-X00	6	Corner LH	1	318	35	252	MT2	.	.	.	.	15,0
	8K 6588	001-P00-72	9	Base Edge STR-STD	1	300	45	2781	MT2	12	1"	.	.	281,6
	7K 9309	001-523-X00	6	Corner RH	1	318	35	252	MT2	.	.	.	.	15,0
	7K 9310	001-523-X00	6	Corner LH	1	318	35	252	MT2	.	.	.	.	15,0
	9K 1619*	001-P00-38	9	Base Edge STR-STD	1	300	45	3270	MT2	24	1"	.	.	331,1
	7K 9309	001-523-X00	6	Corner RH	1	318	35	252	MT2	.	.	.	.	15,0
	7K 9310	001-523-X00	6	Corner LH	1	318	35	252	MT2	.	.	.	.	15,0
	9K 8917*	001-P02-09	1	Base Edge STR-STD	1	300	45	3270	MT2	.	.	.	.	331,1
	7K 9309	001-523-X00	6	Corner RH	1	318	35	252	MT2	.	.	.	.	15,0
	7K 9310	001-523-X00	6	Corner LH	1	318	35	252	MT2	.	.	.	.	15,0
	8K 5924*	001-P00-23	4	Base Edge SPA-STD	1	700	50	3413	MT3	.	.	.	.	735,0
	7K 9309	001-523-X00	6	Corner RH	1	318	35	252	MT2	.	.	.	.	15,0
	7K 9310	001-523-X00	6	Corner LH	1	318	35	252	MT2	.	.	.	.	15,0
	8K 5924*	001-P00-23	4	Base Edge SPA-STD	1	700	50	3413	MT3	.	.	.	.	735,0
	6W 9414	.	.	Corner RH/LH	2	.	.	.	.	.	.	.	.	.
	2V 6121*	001-P00-23	4	Base Edge SPA-STD	1	700	50	3413	MT3	.	.	.	.	735,0
	3V 0537	.	.	Corner RH/LH	2	.	.	.	.	.	.	.	.	.
	<b>988B</b>	3V 0187	001-P00-20	12	Base Edge STR-STD	1	300	45	3645	MT2	18	7/8"	.	.
<b>Wheel</b>	7K 9309	001-523-X00	6	Corner RH	1	318	35	252	MT2	.	.	.	.	15,0
<b>ROCK BUCKETS</b>	7K 9310	001-523-X00	6	Corner LH	1	318	35	252	MT2	.	.	.	.	15,0
	4T 6588	001-000-13	1	Bolt-on Edge STD-CTR	3	406	35	1211	MT2	6	1"	4J 9058	2J 3507	129,1
	4E 6085	.	.	Base Edge STR-STD	1	300	45	3560	MT2	.	.	.	.	360,5
	7V 4180	001-517-L07	1	Corner LH	1	245	40	255	MT2	1	1 1/2"	.	.	14,0
	7V 4181	001-517-R07	1	Corner RH	1	245	40	255	MT2	1	1 1/2"	.	.	14,0
	9W 1375	001-000-97	1	Bolt-on Edge STD-CTR	2	406	35	1524	MT2	3	1 1/4"	5P 8823	3K 9770	162,4
	1U 0761	001-000-86	8	End Bit STD-R/LH	2	556	40	265	MT2	3	1 1/4"	5P 8823	3K 9770	44,2
	1U 0764**	001-000-87	9	End Bit STD-R/LH-ANG	2	670/556	40	265	MT2	3	1 1/4"	5P 8823	3K 9770	49
	109-2697	001-002-82	18	Bolt-on Edge AFM-CTR	2	406	35	1524	MT2	3	1 1/4"	5P 8823	3K 9770	166,3
	123-0334	001-002-93	13	End Bit AFM-RH	1	420	40	265	MT2	3	1 1/4"	5P 8823	3K 9770	34,7
	123-0335	001-002-94	12	End Bit AFM-LH	1	420	40	265	MT2	3	1 1/4"	5P 8823	3K 9770	34,7
	4T 6700	001-001-39	S1	Segment STD-CTR	7	360	30	290	MT2	2	1 1/4"	5P 8823	3K 9770	23,5
	2V 4313*	001-P02-01	4	Base Edge SPA-STD	1	706	50	3644	MT3	.	.	.	.	792,0
	2V 4314	001-511-R00	.	Corner RH	1	290	35	238	MT2	.	.	.	.	13,0
	2V 4315	001-511-L00	.	Corner LH	1	290	35	238	MT2	.	.	.	.	13,0
cont.	8R 4649	001-P02-17	14	Base Edge SPA-STD	1	706	51	3645	MT3	.	1 1/4"	.	.	726,5

\*8K 6539, 9K 8917 end 9K 1619 replaced by 8K 5056.\*\* Optional

\*8K 5924 end 2V 6121 replaced by 8V 9583, 2V 4313 replaced by 8V 9585.

# CATERPILLAR-LOADERS

Base Edges, Bolt-on Edges, End Bits and Segments



**T O U G H  
C O M P O N E N T S**

Tractor Type	O.E.M. Part Number	MTM Part Number	Ref.	Description	No Pcs	Millimeters			Ql. ty.	Nr. H.	FASTENERS			W. Kg.
						W	T	L			Ø	Bolts	Nuts	
<b>988B</b>	<b>8R 4646</b>	.	.	Corner RH/LH	2	.	.	.	MT2	.	.	.	.	.
<b>Wheel</b>	<b>9W 5734</b>	001-001-50	S1	Segment STD-CTR	1	480	35	312	MT2	3	1 1/4"	6V 6535	3K 9770	39,31
<b>ROCK</b>	<b>9W 5737</b>	001-001-51	S3	Segment STD-RH	3	480	35	323/452	MT2	3	1 1/4"	6V 6535	3K 9770	40,7
<b>BUCKETS</b>	<b>9W 5730</b>	001-001-49	S2	Segment STD-LH	3	480	35	323/452	MT2	3	1 1/4"	6V 6535	3K 9770	40,7
	<b>107-3490</b>	001-002-53	S1	Segment STD-CTR HD	1	480	45	312	MT2	3	1 1/4"	6V 6535	3K 9770	50,54
	<b>107-3491</b>	001-002-54	S3	Segment STD-RH HD	3	480	45	323/452	MT2	3	1 1/4"	6V 6535	3K 9770	52,3
	<b>107-3492</b>	001-002-55	S2	Segment STD-LH HD	3	480	45	323/452	MT2	3	1 1/4"	6V 6535	3K 9770	52,3
	<b>1V 9102*</b>	001-P00-17	1	Base Edge STR-STD	1	330	50	3645	MT2	.	.	.	.	451,1
	<b>6W 9412</b>	001-512-R00	.	Corner RH	1	.	.	.	.	.	.	.	.	.
	<b>6W 9413</b>	001-512-L00	.	Corner LH	1	.	.	.	.	.	.	.	.	.
	<b>9C 2932</b>	001-P01-94	.	Base Edge STR-STD	1	330	50	3645	MT2	.	1 1/4"	.	.	451,1
	<b>2V 4314</b>	001-511-R00	.	Corner RH	1	290	35	238	MT2	.	.	.	.	13,0
	<b>2V 4315</b>	001-511-L00	.	Corner LH	1	290	35	238	MT2	.	.	.	.	13,0
	<b>9W 8250</b>	001-001-48	1	Bolt-on Edge STD-CTR	1	480	35	1464	MT2	3	1 1/4"	6V 6535	3K 9770	184,5
	<b>9W 8249</b>	001-000-88	2	Bolt-on Edge STD-RH/LH	2	480	35	1105	MT2	4	1 1/4"	6V 6535	3K 9770	139,2
	<b>9W 5734</b>	001-001-50	S1	Segment STD-CTR	7	480	35	312	MT2	3	1 1/4"	6V 6535	3K 9770	39,31
	<b>107-3490</b>	001-002-53	S1	Segment STD-CTR HD	7	480	45	312	MT2	3	1 1/4"	6V 6535	3K 9770	50,5
	<b>9V 0232</b>	001-P00-17	1	Base Edge STR-STD	1	330	50	3645	MT2	.	.	.	.	451,1
	<b>7K 9309</b>	001-523-X00	6	Corner RH	1	318	35	252	MT2	.	.	.	.	15,0
	<b>7K 9310</b>	001-523-X00	6	Corner LH	1	318	35	252	MT2	.	.	.	.	15,0
	<b>8V 9585</b>	001-P02-01	4	Base Edge SPA-STD	1	706	50	3644	MT3	.	.	.	.	792,0
	<b>145-6984</b>	.	.	Corner RH/LH	2	.	.	.	MT2	.	.	.	.	.
	<b>8R 4649</b>	001-P02-17	14	Base Edge SPA-STD	1	706	51	3645	MT3	.	1 1/4"	.	.	726,5
	<b>145-6983</b>	.	.	Corner RH/LH	2	.	.	.	.	.	.	.	.	.
	<b>9W 5733</b>	001-001-16	3	Bolt-on Edge STD-CTR	1	480	35	706	MT2	5	1 1/4"	6V 6535	3K 9770	88,96
	<b>9W 5736</b>	001-001-12	5	Bolt-on Edge STD-RH/CTR	1	480	35	791/920	MT2	6	1 1/4"	6V 6535	3K 9770	99,5
	<b>9W 5731</b>	001-001-13	4	Bolt-on Edge STD-LH/CTR	1	480	35	791/920	MT2	6	1 1/4"	6V 6535	3K 9770	99,5
	<b>9W 5735</b>	001-001-14	5	Bolt-on Edge STD-RH/END	1	480	35	731/860	MT2	5	1 1/4"	6V 6535	3K 9770	92,1
	<b>9W 5732</b>	001-001-15	4	Bolt-on Edge STD-LH/END	1	480	35	731/860	MT2	5	1 1/4"	6V 6535	3K 9770	92,1
	<b>106-1096</b>	001-003-61	3	Bolt-on Edge STD-CTR HD	1	480	45	664	MT2	5	1 1/4"	6V 6535	3K 9770	107,6
	<b>106-1098</b>	001-003-62	5	Bolt-on Edge STD-RH/CTR HD	1	480	45	1050/920	MT2	6	1 1/4"	6V 6535	3K 9770	160
	<b>106-1094</b>	001-002-41	4	Bolt-on Edge STD-LH/CTR HD	1	480	45	1050/920	MT2	6	1 1/4"	6V 6535	3K 9770	149,0
	<b>106-1097</b>	001-003-64	5	Bolt-on Edge STD-RH/END HD	1	480	45	990/ 861	MT2	5	1 1/4"	6V 6535	3K 9770	149,8
	<b>106-1095</b>	001-003-65	4	Bolt-on Edge STD-LH/END HD	1	480	45	990/861	MT2	5	1 1/4"	6V 6535	3K 9770	149,8
	<b>8V 9585</b>	001-P02-01	4	Base Edge SPA-STD	1	706	50	3644	MT3	.	.	.	.	792
	<b>145-6982</b>	.	.	Sidebar	2	.	.	.	.	.	.	.	.	20,0
<b>988B/F</b>	<b>8R 4649</b>	001-P02-17	14	Base Edge SPA-STD	1	706	51	3645	MT3	.	1 1/4"	.	.	726,5
<b>Wheel</b>	<b>145-6984</b>	.	.	Corner RH/LH	2	.	.	.	.	.	.	.	.	.
<b>ROCK</b>	<b>9W 5734</b>	001-001-50	S1	Segment STD-CTR	1	480	35	312	MT2	3	1 1/4"	6V 6535	3K 9770	39,31
<b>BUCKETS</b>	<b>9W 5737</b>	001-001-51	S3	Segment STD-RH	3	480	35	323/452	MT2	3	1 1/4"	6V 6535	3K 9770	40,7
	<b>9W 5730</b>	001-001-49	S2	Segment STD-LH	3	480	35	323/452	MT2	3	1 1/4"	6V 6535	3K 9770	40,7
	<b>107-3490</b>	001-002-53	S1	Segment STD-CTR HD	1	480	45	312	MT2	3	1 1/4"	6V 6535	3K 9770	50,54
	<b>107-3491</b>	001-002-54	S3	Segment STD-RH HD	3	480	45	323/452	MT2	3	1 1/4"	6V 6535	3K 9770	52,3
	<b>107-3492</b>	001-002-55	S2	Segment STD-LH HD	3	480	45	323/452	MT2	3	1 1/4"	6V 6535	3K 9770	52,3
<b>988F</b>	<b>9U 3748</b>	.	13	Base Edge STR-STD	1	300	45	3687	MT2	.	.	.	.	373,3
<b>Wheel</b>	<b>7V 4180</b>	001-517-L07	1	Corner LH	1	245	40	255	MT2	1	1 1/2"	.	.	14,0

\*1V 9102 replaced by 9V 0232. \*\* Optional

# CATERPILLAR-LOADERS

Base Edges, Bolt-on Edges, End Bits and Segments



**T O U G H  
C O M P O N E N T S**

Tractor Type	O.E.M. Part Number	MTM Part Number	Ref.	Description	No Pcs	Millimeters			Ql. ty.	Nr. H.	FASTENERS			W. Kg.
						W	T	L			Ø	Bolts	Nuts	
<b>988F</b>	7V 4181	001-517-R07	1	Corner RH	1	245	40	255	MT2	1	1 1/2"	.	.	14,0
<b>Wheel</b>	104-5841	001-001-82	1	Bolt-on Edge STD-CTR	2	406	35	1587	MT2	3	1 1/4"	5P 8823	3K 9770	169,1
<b>ROCK BUCKETS</b>	1U 0761	001-000-86	8	End Bit STD-R/LH	2	556	40	265	MT2	3	1 1/4"	5P 8823	3K 9770	44,2
	1U 0764**	001-000-87	9	End Bit STD-R/LH-ANG	2	670/556	40	265	MT2	3	1 1/4"	5P 8823	3K 9770	49
	132-1069	001-003-06	18	Bolt-on Edge AFM-RH	1	406	35	1587	MT2	3	1 1/4"	5P 8823	3K 9770	173,1
	132-1070	001-003-07	18	Bolt-on Edge AFM-LH	1	406	35	1587	MT2	3	1 1/4"	5P 8823	3K 9770	173,1
	123-0334	001-002-93	13	End Bit AFM-RH	1	420	40	265	MT2	3	1 1/4"	5P 8823	3K 9770	34,7
	123-0335	001-002-94	12	End Bit AFM-LH	1	420	40	265	MT2	3	1 1/4"	5P 8823	3K 9770	34,7
	138-6540	001-003-66	S1	Segment STD-CTR	7	406	45	454	MT2	4	1 1/4"	5P 8823	3K 9770	62,21
	4E 7616*	.	14	Base Edge SPA-STD	1	655	50	3772	MT3	.	.	.	.	845,0
	145-6982	.	.	Sidebar	2	.	.	.	.	.	.	.	.	.
	101-9350	001-003-67	1	Bolt-on Edge STD-CTR	1	480	40	1335	MT2	9	1 1/4"	6V 6535	3K 9770	192,2
	101-9351	001-003-68	1	Bolt-on Edge STD-RH	1	480	40	1418	MT2	6	1 1/4"	6V 6535	3K 9770	204,2
	101-9352	001-003-69	1	Bolt-on Edge STD-LH	1	480	40	1418	MT2	6	1 1/4"	6V 6535	3K 9770	204,2
	107-3540	001-003-70	1	Bolt-on Edge STD-CTR HD	1	480	45	1335	MT2	9	1 1/4"	6V 6535	3K 9770	216,3
	107-3543	001-003-71	1	Bolt-on Edge STD-RH HD	1	480	45	1418	MT2	6	1 1/4"	6V 6535	3K 9770	229,7
	107-3544	001-003-72	1	Bolt-on Edge STD-LH HD	1	480	45	1418	MT2	6	1 1/4"	6V 6535	3K 9770	229,7
	9U 4713	.	4	Base Edge SPA-STD	1	655	50	3772	MT3	.	.	.	.	.
	4E 6474	.	.	Sidebar	2	.	.	.	.	.	.	.	.	.
	4E 8112	.	13	Base Edge STR-STD	1	350	50	3772	MT2	.	.	.	.	495,1
	145-6985	.	.	Sidebar	2	.	.	.	.	.	.	.	.	.
	101-9350	001-003-67	1	Bolt-on Edge STD-CTR	1	480	40	1335	MT2	9	1 1/4"	6V 6535	3K 9770	192,2
	102-2184	001-003-73	2	Bolt-on Edge STD-RH/LH	2	480	40	1245	MT2	6	1 1/4"	6V 6535	3K 9770	179,3
	107-3540	001-003-70	1	Bolt-on Edge STD-CTR HD	1	480	45	1335	MT2	9	1 1/4"	6V 6535	3K 9770	216,3
	107-3541	001-003-74	2	Bolt-on Edge STD-RH/LH HD	2	480	45	1245	MT2	6	1 1/4"	6V 6535	3K 9770	201,7
	4E 8112	.	13	Base Edge STR-STD	1	350	50	3772	MT2	.	.	.	.	495,1
	4E 8106	.	.	Sidebar	2	.	.	.	.	.	.	.	.	.
	101-9435	001-003-75	S1	Segment STD-CTR	7	480	40	342	MT2	3	1 1/4"	6V 6535	3K 9770	49,25
	107-3536	001-003-76	S1	Segment STD-CTR HD	7	480	45	342	MT2	3	1 1/4"	6V 6535	3K 9770	55,4
	4E 8112	.	13	Base Edge STR-STD	1	350	50	3772	MT2	.	.	.	.	495,1
	145-6981	.	.	Sidebar	2	.	.	.	.	.	.	.	.	.
	101-9435	001-003-75	S1	Segment STD-CTR	7	480	40	342	MT2	3	1 1/4"	6V 6535	3K 9770	49,25
	107-3536	001-003-76	S1	Segment STD-CTR HD	7	480	45	342	MT2	3	1 1/4"	6V 6535	3K 9770	55,4
	4E 7616*	.	14	Base Edge SPA-STD	1	655	50	3772	MT3	.	.	.	.	845,0
	7I 3076	.	.	Sidebar	2	.	.	.	.	.	.	.	.	.
	101-9435	001-003-75	S1	Segment STD-CTR	3	480	40	342	MT2	3	1 1/4"	6V 6535	3K 9770	49,25
	101-9436	001-003-77	S3	Segment STD-RH	2	480	40	354/483	MT2	3	1 1/4"	6V 6535	3K 9770	50,9
	101-9437	001-003-78	S2	Segment STD-LH	2	480	40	354/483	MT2	3	1 1/4"	6V 6535	3K 9770	50,9
	107-3536	001-003-76	S1	Segment STD-CTR HD	3	480	45	342	MT2	3	1 1/4"	6V 6535	3K 9770	55,4
	107-3537	001-003-79	S3	Segment STD-RH HD	2	480	45	354/483	MT2	3	1 1/4"	6V 6535	3K 9770	68
	107-3538	001-003-80	S2	Segment STD-LH HD	2	480	45	354/483	MT2	3	1 1/4"	6V 6535	3K 9770	68
	2Q 3133	.	.	Base Edge	1	.	.	.	.	.	.	.	.	.
	2Q 3137	.	.	Sidebar	2	.	.	.	.	.	.	.	.	.
	2Q 4344	.	14	Base Edge SPA-STD	1	.	.	.	.	.	.	.	.	.
	145-6986	.	.	Corner RH/LH	2	.	.	.	.	.	.	.	.	.
	101-9435	001-003-75	S1	Segment STD-CTR	3	480	40	342	MT2	3	1 1/4"	6V 6535	3K 9770	49,25
cont.	101-9436	001-003-77	S3	Segment STD-RH	2	480	40	354/483	MT2	3	1 1/4"	6V 6535	3K 9770	50,9

\* 4E 7616 replaced by 132-3117. \*\* Optional

# CATERPILLAR-LOADERS

Base Edges, Bolt-on Edges, End Bits and Segments



**T O U G H  
C O M P O N E N T S**

Tractor Type	O.E.M.Part Number	MTM Part Number	Ref.	Description	No Pcs	Millimeters			Ql. ty.	Nr. H.	FASTENERS			W. Kg.
						W	T	L			Ø	Bolts	Nuts	
<b>988F</b>	<b>101-9437</b>	001-003-78	S2	Segment STD-LH	2	480	40	354/483	MT2	3	1 1/4"	6V 6535	3K 9770	50,9
<b>Wheel</b>	<b>107-3536</b>	001-003-76	S1	Segment STD-CTR HD	3	480	45	342	MT2	3	1 1/4"	6V 6535	3K 9770	55,4
<b>ROCK</b>	<b>107-3537</b>	001-003-79	S3	Segment STD-RH HD	2	480	45	354/483	MT2	3	1 1/4"	6V 6535	3K 9770	68
<b>BUCKETS</b>	<b>107-3538</b>	001-003-80	S2	Segment STD-LH HD	2	480	45	354/483	MT2	3	1 1/4"	6V 6535	3K 9770	68
	<b>2Q 7018</b>	.	14	Base Edge SPA-STD	1	696	65	3862	MT3	.	.	.	.	.
	<b>145-6988</b>	.	.	Corner RH/LH	2	.	.	.	.	.	.	.	.	.
	<b>4T 6760</b>	001-001-41	S1	Segment STD-CTR	2	590	40	410	MT2	4	1 1/4"	6V 6535	3K 9770	72,57
	<b>4T 6761</b>	001-001-42	S3	Segment STD-RH	2	590	40	609/451	MT2	4	1 1/4"	6V 6535	3K 9770	80
	<b>4T 6762</b>	001-001-43	S2	Segment STD-LH	2	590	40	609/451	MT2	4	1 1/4"	6V 6535	3K 9770	80
	<b>107-3530</b>	001-002-56	S1	Segment STD-CTR HD	2	590	50	410	MT2	4	1 1/4"	6V 6535	3K 9770	90,7
	<b>107-3531</b>	001-002-57	S3	Segment STD-RH HD	2	590	50	609/451	MT2	4	1 1/4"	6V 6535	3K 9770	99,8
	<b>107-3532</b>	001-002-58	S2	Segment STD-LH HD	2	590	50	609/451	MT2	4	1 1/4"	6V 6535	3K 9770	99,8
	<b>4E 7616*</b>	.	14	Base Edge SPA-STD	1	655	50	3772	MT3	.	.	.	.	845
	<b>145-6987</b>	.	.	Corner RH/LH	2	.	.	.	.	.	.	.	.	.
	<b>4E 6474</b>	.	.	Sidebar	2	.	.	.	.	.	.	.	.	.
	<b>101-9435</b>	001-003-75	S1	Segment STD-CTR	3	480	40	342	MT2	3	1 1/4"	6V 6535	3K 9770	49,25
	<b>101-9436</b>	001-003-77	S3	Segment STD-RH	2	480	40	354/483	MT2	3	1 1/4"	6V 6535	3K 9770	50,9
	<b>101-9437</b>	001-003-78	S2	Segment STD-LH	2	480	40	354/483	MT2	3	1 1/4"	6V 6535	3K 9770	50,9
	<b>107-3536</b>	001-003-76	S1	Segment STD-CTR HD	3	480	45	342	MT2	3	1 1/4"	6V 6535	3K 9770	55,4
	<b>107-3537</b>	001-003-79	S3	Segment STD-RH HD	2	480	45	354/483	MT2	3	1 1/4"	6V 6535	3K 9770	68
	<b>107-3538</b>	001-003-80	S2	Segment STD-LH HD	2	480	45	354/483	MT2	3	1 1/4"	6V 6535	3K 9770	68
	<b>133-0821</b>	.	4	Base Edge SPA-STD	1	655	50	3772	MT3	.	.	.	.	.
	<b>145-6984</b>	.	.	Corner RH/LH	2	.	.	.	.	.	.	.	.	.
	<b>146-6302</b>	.	14	Base Edge SPA-STD	1	655	50	3822	MT3	.	.	.	.	.
	<b>144-0514</b>	.	.	Sidebar	2	.	.	.	.	.	.	.	.	.
	<b>9W 5734</b>	001-001-50	S1	Segment STD-CTR	1	480	35	312	MT2	3	1 1/4"	6V 6535	3K 9770	39,31
	<b>9W 5737</b>	001-001-51	S3	Segment STD-RH	3	480	35	323/452	MT2	3	1 1/4"	6V 6535	3K 9770	40,7
	<b>9W 5730</b>	001-001-49	S2	Segment STD-LH	3	480	35	323/452	MT2	3	1 1/4"	6V 6535	3K 9770	40,7
	<b>107-3490</b>	001-002-53	S1	Segment STD-CTR HD	1	480	45	312	MT2	3	1 1/4"	6V 6535	3K 9770	50,54
	<b>107-3491</b>	001-002-54	S3	Segment STD-RH HD	3	480	45	323/452	MT2	3	1 1/4"	6V 6535	3K 9770	52,3
	<b>107-3492</b>	001-002-55	S2	Segment STD-LH HD	3	480	45	323/452	MT2	3	1 1/4"	6V 6535	3K 9770	52,3
	<b>132-3117</b>	.	14	Base Edge SPA-STD	1	655	50	3772	MT3	.	.	.	.	.
	<b>7I 3076</b>	.	.	Sidebar	2	.	.	.	.	.	.	.	.	.
	<b>9W 5734</b>	001-001-50	S1	Segment STD-CTR	1	480	35	312	MT2	3	1 1/4"	6V 6535	3K 9770	39,31
	<b>9W 5737</b>	001-001-51	S3	Segment STD-RH	3	480	35	323/452	MT2	3	1 1/4"	6V 6535	3K 9770	40,7
	<b>9W 5730</b>	001-001-49	S2	Segment STD-LH	3	480	35	323/452	MT2	3	1 1/4"	6V 6535	3K 9770	40,7
	<b>107-3490</b>	001-002-53	S1	Segment STD-CTR HD	1	480	45	312	MT2	3	1 1/4"	6V 6535	3K 9770	50,54
	<b>107-3491</b>	001-002-54	S3	Segment STD-RH HD	3	480	45	323/452	MT2	3	1 1/4"	6V 6535	3K 9770	52,3
	<b>107-3492</b>	001-002-55	S2	Segment STD-LH HD	3	480	45	323/452	MT2	3	1 1/4"	6V 6535	3K 9770	52,3
<b>983</b>	<b>8K 5000</b>	001-P00-52	1	Base Edge STR-STD	1	300	45	3067	MT2	.	.	.	.	310,5
<b>Track</b>	<b>7K 9309</b>	001-523-X00	6	Corner RH	1	318	35	252	MT2	.	.	.	.	15,0
<b>GEN.PURP.</b>	<b>7K 9310</b>	001-523-X00	6	Corner LH	1	318	35	252	MT2	.	.	.	.	15,0
<b>BUCKETS</b>	<b>3V 3887*</b>	001-P00-49	1	Base Edge STR-STD	1	330	50	3100	MT2	.	.	.	.	383,6
	<b>3V 3310</b>	001-533-R00	.	Corner LH	1	.	.	.	.	.	.	.	.	.
	<b>3V 3311</b>	001-533-L00	.	Corner RH	1	.	.	.	.	.	.	.	.	.
	<b>8K 5056</b>	001-P00-39	1	Base Edge STR-STD	1	300	45	3270	MT2	.	.	.	.	331,1
cont.	<b>7K 9309</b>	001-523-X00	6	Corner RH	1	318	35	252	MT2	.	.	.	.	15,0

\* 4E 7616 replaced by 132-3117

\* 3V 3887 replaced by 9V 0237.

# CATERPILLAR-LOADERS

Base Edges, Bolt-on Edges, End Bits and Segments



**T O U G H  
COMPONENTS**

Tractor Type	O.E.M. Part Number	MTM Part Number	Ref.	Description	No Pcs	Millimeters			Ql. ty.	Nr. H.	FASTENERS			W. Kg.	
						W	T	L			Ø	Bolts	Nuts		
<b>983</b>	7K 9310	001-523-X00	6	Corner LH	1	318	35	252	MT2	.	.	.	.	15,0	
<b>Track</b>	9V 0235	001-P02-47	1	Base Edge STR-STD	1	330	50	3289	MT2	.	.	.	.	407,0	
<b>ROCK BUCKETS</b>	3V 3310	001-533-R00	.	Corner LH	1	.	.	.	.	.	.	.	.	.	
	3V 3311	001-533-L00	.	Corner RH	1	.	.	.	.	.	.	.	.	.	
	8K 5105*	001-P00-40	4	Base Edge SPA-STD	1	579	50	3259	MT3	.	.	.	.	670,0	
	7K 9309	001-523-X00	6	Corner RH	1	318	35	252	MT2	.	.	.	.	15,0	
	7K 9310	001-523-X00	6	Corner LH	1	318	35	252	MT2	.	.	.	.	15,0	
	9K 5408	001-P00-40	4	Base Edge SPA-STD	1	579	50	3259	MT3	.	.	.	.	670,0	
	7K 9309	001-523-X00	6	Corner RH	1	318	35	252	MT2	.	.	.	.	15,0	
	7K 9310	001-523-X00	6	Corner LH	1	318	35	252	MT2	.	.	.	.	15,0	
	3V 3322*	001-P00-37	4	Base Edge SPA-STD	1	577	50	3277	MT3	.	.	.	.	676,0	
	3V 3310	001-533-R00	.	Corner LH	1	.	.	.	.	.	.	.	.	.	
	3V 3311	001-533-L00	.	Corner RH	1	.	.	.	.	.	.	.	.	.	
	7K 2736	001-P00-92	1	Base Edge STR-STD	1	510	50	2587	MT3	.	.	.	.	494,8	
	7K 2724	001-540-X00	.	Corner	2	.	.	.	.	.	.	.	.	.	
	8V 9591	001-P00-37	4	Base Edge SPA-STD	1	577	50	3277	MT3	.	.	.	.	676,0	
	3V 3310	001-533-R00	.	Corner LH	1	.	.	.	.	.	.	.	.	.	
	3V 3311	001-533-L00	.	Corner RH	1	.	.	.	.	.	.	.	.	.	
	9V 0237	001-P00-49	1	Base Edge STR-STD	1	330	50	3100	MT2	.	.	.	.	383,6	
	3V 3310	001-533-R00	.	Corner LH	1	.	.	.	.	.	.	.	.	.	
3V 3311	001-533-L00	.	Corner RH	1	.	.	.	.	.	.	.	.	.		
<b>980</b>	9K 1619	001-P00-38	9	Base Edge STR-STD	1	300	45	3270	MT2	24	1"	.	.	331,1	
<b>980B</b>	7K 9309	001-523-X00	6	Corner RH	1	318	35	252	MT2	.	.	.	.	15,0	
<b>Wheel</b>	7K 9310	001-523-X00	6	Corner LH	1	318	35	252	MT2	.	.	.	.	15,0	
<b>GEN.PURP. BUCKETS</b>	4T 6592	001-000-39	2	End-section STD-R/LH	2	406	35	858	MT2	4	1"	4J 9208	2J 3507	91,4	
	4T 6594	001-000-02	2	Bolt-on Edge STD-CTR	1	406	35	1542	MT2	8	1"	4J 9208	2J 3507	164,3	
	107-8577	001-002-71	2	End-section STD-R/LH HD	2	406	45	858	MT2	4	1"	4J 9208	2J 3507	117,6	
	107-8578	001-002-72	2	Bolt-on Edge STD-CTR HD	1	406	45	1542	MT2	8	1"	4J 9208	2J 3507	211,3	
	2V 6118	001-P00-35	1	Base Edge STR-STD	1	300	45	3286	MT2	.	.	.	.	333,0	
	2V 6299	001-534-X00	.	Corner RH/LH	2	220	35	300	MT2	.	.	.	.	10,0	
	6W 2991	001-P02-42	13	Base Edge STR-STD	1	300	45	3180	MT2	30	1"	.	.	322,0	
	7V 4180	001-517-L07	1	Corner LH	1	245	40	255	MT2	1	1 1/2"	.	.	14,0	
	7V 4181	001-517-R07	1	Corner RH	1	245	40	255	MT2	1	1 1/2"	.	.	14,0	
	4T 5273	001-000-49	1	Bolt-on Edge STD-CTR	2	406	35	1338	MT2	3	1 1/4"	5P 8823	3K 9770	142,6	
	1U 0761	001-000-86	8	End Bit STD-R/LH	2	556	40	265	MT2	3	1 1/4"	5P 8823	3K 9770	44,2	
	1U 0764**	001-000-87	9	End Bit STD-R/LH-ANG	2	670/556	40	265	MT2	3	1 1/4"	5P 8823	3K 9770	49	
	107-8572	001-002-68	1	Bolt-on Edge STD-CTR HD	2	406	45	1338	MT2	3	1 1/4"	5P 8823	3K 9770	183,3	
	100-4043	001-001-75	8	End Bit STD-R/LH HD	2	556	45	265	MT2	3	1 1/4"	5P 8823	3K 9770	49,7	
	4T 6700	001-001-39	S1	Segment STD-CTR	7	360	30	290	MT2	2	1 1/4"	5P 8823	3K 9770	23,5	
	107-8580	001-002-73	S1	Segment STD-CTR HD	7	360	45	290	MT2	2	1 1/4"	5P 8823	3K 9770	35,2	
	<b>ROCK BUCKETS</b>	8K 9735*	001-P00-36	4	Base Edge SPA-STD	1	660	45	3277	MT3	.	.	.	.	605,0
		7K 9309	001-523-X00	6	Corner RH	1	318	35	252	MT2	.	.	.	.	15,0
7K 9310		001-523-X00	6	Corner LH	1	318	35	252	MT2	.	.	.	.	15,0	
2V 6119*		001-P00-36	4	Base Edge SPA-STD	1	660	45	3277	MT3	.	.	.	.	605,0	
2V 6299		001-534-X00	.	Corner RH/LH	2	220	35	300	MT2	.	.	.	.	10,0	
<b>980C</b>	4V 1741*	001-P00-28	.	Base Edge STR-STD	1	300	45	3370	MT2	.	1"	.	.	341,2	
<b>Wheel</b>	7V 8647	001-514-L00	.	Corner LH	.	.	.	.	.	.	.	.	.	.	

\*8K 5105 replaced by 9K 5408, 3V 3322 replaced by 8V 9591.

\*8K 9735 end 2V 6119 replaced by 8V 9580, 4V 1741 replaced by 7V 4188. \*\* Optional



# CATERPILLAR-LOADERS

Base Edges, Bolt-on Edges, End Bits and Segments



**T O U G H  
COMPONENTS**

Tractor Type	O.E.M. Part Number	MTM Part Number	Ref.	Description	No Pcs	Millimeters			Ql. ty.	Nr. H.	FASTENERS			W. Kg.
						W	T	L			Ø	Bolts	Nuts	
<b>980C</b>	<b>7V 8648</b>	001-514-R00		Corner RH	.	.	.	.	.	.	.	.	.	.
<b>Wheel</b>	<b>4T 6590</b>	001-000-40	2	End-section STD-R/LH	2	406	35	858	MT2	4	1"	4J 9208	2J 3507	91,4
<b>GEN.PURP.</b>	<b>4T 6589</b>	001-000-01	2	Bolt-on Edge STD-CTR	1	406	35	1666	MT2	8	1"	4J 9208	2J 3507	177,6
<b>BUCKETS</b>	<b>107-8575</b>	001-002-70	2	End-section STD-R/LH HD	2	406	45	858	MT2	4	1"	4J 9208	2J 3507	117,6
	<b>107-8574</b>	001-002-69	2	Bolt-on Edge STD-CTR HD	1	406	45	1666	MT2	8	1"	4J 9208	2J 3507	228,3
	<b>4V 2482*</b>	001-P00-29	.	Base Edge STR-STD	1	300	40	3370	MT2	.	1"	.	.	303,3
	<b>7V 8647</b>	001-514-L00	.	Corner LH	.	.	.	.	.	.	.	.	.	.
	<b>7V 8648</b>	001-514-R00	.	Corner RH	.	.	.	.	.	.	.	.	.	.
	<b>4T 6590</b>	001-000-40	2	End-section STD-R/LH	2	406	35	858	MT2	4	1"	4J 9208	2J 3507	91,4
	<b>4T 6589</b>	001-000-01	2	Bolt-on Edge STD-CTR	1	406	35	1666	MT2	8	1"	4J 9208	2J 3507	177,6
	<b>107-8575</b>	001-002-70	2	End-section STD-R/LH HD	2	406	45	858	MT2	4	1"	4J 9208	2J 3507	117,6
	<b>107-8574</b>	001-002-69	2	Bolt-on Edge STD-CTR HD	1	406	45	1666	MT2	8	1"	4J 9208	2J 3507	228,3
	<b>7V 4188</b>	001-P00-32	7	Base Edge STR-STD	1	300	45	3316	MT2	18	1 1/4"	.	.	335,7
	<b>7V 4180</b>	001-517-L07	1	Corner LH	1	245	40	255	MT2	1	1 1/2"	.	.	14,0
	<b>7V 4181</b>	001-517-R07	1	Corner RH	1	245	40	255	MT2	1	1 1/2"	.	.	14,0
	<b>1U 0762</b>	001-000-05	1	Bolt-on Edge STD-CTR	2	406	35	1406	MT2	3	1 1/4"	5P 8823	3K 9770	149,8
	<b>1U 0761</b>	001-000-86	8	End Bit STD-R/LH	2	556	40	265	MT2	3	1 1/4"	5P 8823	3K 9770	44,2
	<b>1U 0764**</b>	001-000-87	9	End Bit STD-R/LH-ANG	2	670/556	40	265	MT2	3	1 1/4"	5P 8823	3K 9770	49
	<b>100-4047</b>	001-001-81	1	Bolt-on Edge STD-CTR HD	2	406	40	1406	MT2	3	1 1/4"	5P 8823	3K 9770	171,3
	<b>100-4043</b>	001-001-75	8	End Bit STD-R/LH HD	2	556	45	265	MT2	3	1 1/4"	5P 8823	3K 9770	49,7
	<b>6Y 3271</b>	001-001-99	18	Bolt-on Edge AFM-CTR	2	300	35	1406	MT2	3	1 1/4"	5P 8823	3K 9770	114,3
	<b>123-0334</b>	001-002-93	13	End Bit AFM-RH	1	420	40	265	MT2	3	1 1/4"	5P 8823	3K 9770	34,7
	<b>123-0335</b>	001-002-94	12	End Bit AFM-LH	1	420	40	265	MT2	3	1 1/4"	5P 8823	3K 9770	34,7
	<b>9V 6574</b>	001-P02-08	13	Base Edge STR-STD	1	300	45	3316	MT2	30	1 1/4"	.	.	335,7
	<b>7V 4180</b>	001-517-L07	1	Corner LH	1	245	40	255	MT2	1	1 1/2"	.	.	14,0
	<b>7V 4181</b>	001-517-R07	1	Corner RH	1	245	40	255	MT2	1	1 1/2"	.	.	14,0
	<b>1U 0762</b>	001-000-05	1	Bolt-on Edge STD-CTR	2	406	35	1406	MT2	3	1 1/4"	5P 8823	3K 9770	149,8
	<b>1U 0761</b>	001-000-86	8	End Bit STD-R/LH	2	556	40	265	MT2	3	1 1/4"	5P 8823	3K 9770	44,2
	<b>1U 0764**</b>	001-000-87	9	End Bit STD-R/LH-ANG	2	670/556	40	265	MT2	3	1 1/4"	5P 8823	3K 9770	49
	<b>100-4047</b>	001-001-81	1	Bolt-on Edge STD-CTR HD	2	406	40	1406	MT2	3	1 1/4"	5P 8823	3K 9770	171,3
	<b>100-4043</b>	001-001-75	8	End Bit STD-R/LH HD	2	556	45	265	MT2	3	1 1/4"	5P 8823	3K 9770	49,7
	<b>6Y 3271</b>	001-001-99	18	Bolt-on Edge AFM-CTR	2	300	35	1406	MT2	3	1 1/4"	5P 8823	3K 9770	114,3
	<b>123-0334</b>	001-002-93	13	End Bit AFM-RH	1	420	40	265	MT2	3	1 1/4"	5P 8823	3K 9770	34,7
	<b>123-0335</b>	001-002-94	12	End Bit AFM-LH	1	420	40	265	MT2	3	1 1/4"	5P 8823	3K 9770	34,7
	<b>4T 6700</b>	001-001-39	S1	Segment STD-CTR	7	360	30	290	MT2	2	1 1/4"	5P 8823	3K 9770	23,5
	<b>107-8580</b>	001-002-73	S1	Segment STD-CTR HD	7	360	45	290	MT2	2	1 1/4"	5P 8823	3K 9770	35,2
	<b>7V 0909</b>	001-P00-31	7	Base Edge STR-STD	1	300	40	3323	MT2	12	1 1/4"	.	.	299,1
	<b>7V 9270</b>	001-514-R00	.	Corner RH	1	289	38	257	MT2	.	.	.	.	11,5
	<b>7V 9271</b>	001-514-L00	.	Corner LH	1	289	38	257	MT2	.	.	.	.	11,5
	<b>1U 0762</b>	001-000-05	1	Bolt-on Edge STD-CTR	2	406	35	1406	MT2	3	1 1/4"	5P 8823	3K 9770	149,8
	<b>1U 0761</b>	001-000-86	8	End Bit STD-R/LH	2	556	40	265	MT2	3	1 1/4"	5P 8823	3K 9770	44,2
	<b>1U 0764**</b>	001-000-87	9	End Bit STD-R/LH-ANG	2	670/556	40	265	MT2	3	1 1/4"	5P 8823	3K 9770	49
	<b>100-4047</b>	001-001-81	1	Bolt-on Edge STD-CTR HD	2	406	40	1406	MT2	3	1 1/4"	5P 8823	3K 9770	171,3
	<b>100-4043</b>	001-001-75	8	End Bit STD-R/LH HD	2	556	45	265	MT2	3	1 1/4"	5P 8823	3K 9770	49,7
	<b>6Y 3271</b>	001-001-99	18	Bolt-on Edge AFM-CTR	2	300	35	1406	MT2	3	1 1/4"	5P 8823	3K 9770	114,3
	<b>123-0334</b>	001-002-93	13	End Bit AFM-RH	1	420	40	265	MT2	3	1 1/4"	5P 8823	3K 9770	34,7
cont.	<b>123-0335</b>	001-002-94	12	End Bit AFM-LH	1	420	40	265	MT2	3	1 1/4"	5P 8823	3K 9770	34,7

\*4V 2482 replaced by 7V 0909.\*\* Optional

# CATERPILLAR-LOADERS

Base Edges, Bolt-on Edges, End Bits and Segments



**T O U G H  
C O M P O N E N T S**

Tractor Type	O.E.M. Part Number	MTM Part Number	Ref.	Description	No Pcs	Millimeters			Ql. ty.	Nr. H.	FASTENERS			W. Kg.
						W	T	L			Ø	Bolts	Nuts	
980C Wheel ROCK BUCKETS	8V 9581	001-P00-26	4	Base Edge SPA-STD	1	650	45	3370	MT3	.	.	.	.	601,0
	3V 7197	001-518-R00	.	Corner LH	1	.	.	.	.	.	.	.	.	.
	3V 7198	001-518-L00	.	Corner RH	1	.	.	.	.	.	.	.	.	.
ROCK BUCKETS	8V 9581	001-P00-26	4	Base Edge SPA-STD	1	650	45	3370	MT3	.	.	.	.	601,0
	7K 9309	001-523-X00	6	Corner RH	1	318	35	252	MT2	.	.	.	.	15,0
	7K 9310	001-523-X00	6	Corner LH	1	318	35	252	MT2	.	.	.	.	15,0
980F Wheel	9V 6574	001-P02-08	13	Base Edge STR-STD	1	300	45	3316	MT2	30	1 1/4"	.	.	335,7
GEN.PURP. BUCKETS	7V 4180	001-517-L07	1	Corner LH	1	245	40	255	MT2	1	1 1/2"	.	.	14,0
	7V 4181	001-517-R07	1	Corner RH	1	245	40	255	MT2	1	1 1/2"	.	.	14,0
	1U 0762	001-000-05	1	Bolt-on Edge STD-CTR	2	406	35	1406	MT2	3	1 1/4"	5P 8823	3K 9770	149,8
	1U 0761	001-000-86	8	End Bit STD-R/LH	2	556	40	265	MT2	3	1 1/4"	5P 8823	3K 9770	44,2
	1U 0764**	001-000-87	9	End Bit STD-R/LH-ANG	2	670/556	40	265	MT2	3	1 1/4"	5P 8823	3K 9770	49
	100-4047	001-001-81	1	Bolt-on Edge STD-CTR HD	2	406	40	1406	MT2	3	1 1/4"	5P 8823	3K 9770	171,3
	100-4043	001-001-75	8	End Bit STD-R/LH HD	2	556	45	265	MT2	3	1 1/4"	5P 8823	3K 9770	49,7
	6Y 3271	001-001-99	18	Bolt-on Edge AFM-CTR	2	300	35	1406	MT2	3	1 1/4"	5P 8823	3K 9770	114,3
	123-0334	001-002-93	13	End Bit AFM-RH	1	420	40	265	MT2	3	1 1/4"	5P 8823	3K 9770	34,7
	123-0335	001-002-94	12	End Bit AFM-LH	1	420	40	265	MT2	3	1 1/4"	5P 8823	3K 9770	34,7
	4T 6700	001-001-39	S1	Segment STD-CTR	7	360	30	290	MT2	2	1 1/4"	5P 8823	3K 9770	23,5
	107-8580	001-002-73	S1	Segment STD-CTR HD	7	360	45	290	MT2	2	1 1/4"	5P 8823	3K 9770	35,2
	9V 3561	.	14	Base Edge SPA-STD	1	647	45	3370	MT3	.	.	.	.	600,0
	3V 7197	.	.	Corner LH	.	.	.	.	.	.	.	.	.	.
	3V 7198	.	.	Corner RH	.	.	.	.	.	.	.	.	.	.
	4T 3015	001-001-40	S1	Segment STD-CTR	1	360	30	256	MT2	2	1 1/4"	8T 9079	3K 9770	20,7
	4T 7139	001-001-44	S3	Segment STD-RH	3	360	30	395/305	MT2	2	1 1/4"	8T 9079	3K 9770	24,7
	4T 7140	001-001-45	S2	Segment STD-LH	3	360	30	395/305	MT2	2	1 1/4"	8T 9079	3K 9770	24,7
	9V 3561	.	14	Base Edge SPA-STD	1	647	45	3370	MT3	.	.	.	.	600,0
	7K 9309	001-523-X00	6	Corner RH	1	318	35	252	MT2	.	.	.	.	15,0
7K 9310	001-523-X00	6	Corner LH	1	318	35	252	MT2	.	.	.	.	15,0	
4T 7141	001-001-07	3	Bolt-on Edge STD-CTR	1	406	35	620	MT2	4	1 1/4"	6V 6535	3K 9770	66,1	
4T 7144	001-001-10	5	Bolt-on Edge STD-RH/CTR	1	406	35	835/735	MT2	4	1 1/4"	6V 6535	3K 9770	78,3	
4T 7142	001-001-08	5	Bolt-on Edge STD-RH/END	1	406	35	782/682	MT2	4	1 1/4"	6V 6535	3K 9770	72,7	
4T 7145	001-001-11	4	Bolt-on Edge STD-LH/CTR	1	406	35	835/735	MT2	4	1 1/4"	6V 6535	3K 9770	78,3	
4T 7143	001-001-09	4	Bolt-on Edge STD-LH/END	1	406	35	782/682	MT2	4	1 1/4"	6V 6535	3K 9770	72,7	
107-8586	001-002-77	3	Bolt-on Edge STD-CTR HD	1	406	45	620	MT2	4	1 1/4"	6V 6535	3K 9770	85,0	
107-8589	001-002-80	5	Bolt-on Edge STD-RH/END HD	1	406	45	835/735	MT2	4	1 1/4"	6V 6535	3K 9770	99,2	
107-8587	001-002-78	5	Bolt-on Edge STD-RH/END HD	1	406	45	782/682	MT2	4	1 1/4"	6V 6535	3K 9770	93,5	
107-8590	001-002-81	4	Bolt-on Edge STD-LH/END HD	1	406	45	835/735	MT2	4	1 1/4"	6V 6535	3K 9770	99,2	
107-8588	001-002-79	4	Bolt-on Edge STD-LH/END HD	1	406	45	782/682	MT2	4	1 1/4"	6V 6535	3K 9770	93,5	
ROCK BUCKETS	8V 9581	001-P00-26	4	Base Edge SPA-STD	1	650	45	3370	MT3	.	.	.	.	601,0
	3V 7197	.	.	Corner LH	.	.	.	.	.	.	.	.	.	.
	3V 7198	.	.	Corner RH	.	.	.	.	.	.	.	.	.	.
	8V 9581	001-P00-26	4	Base Edge SPA-STD	1	650	45	3370	MT3	.	.	.	.	601,0
	7K 9309	001-523-X00	6	Corner RH	1	318	35	252	MT2	.	.	.	.	15,0
GEN.PURP. BUCKETS	7K 9310	001-523-X00	6	Corner LH	1	318	35	252	MT2	.	.	.	.	15,0
	111-9770	.	.	Base Edge	1	.	.	.	.	.	.	.	.	317
	6I 8249	.	.	Corner RH	1	.	.	.	.	.	.	.	.	.
	6I 8250	.	.	Corner LH	1	.	.	.	.	.	.	.	.	.

\*\* Optional

# CATERPILLAR-LOADERS

Base Edges, Bolt-on Edges, End Bits and Segments



**T O U G H  
C O M P O N E N T S**

Tractor Type	O.E.M. Part Number	MTM Part Number	Ref.	Description	No Pcs	Millimeters			Ql. ty.	Nr. H.	FASTENERS			W. Kg.	
						W	T	L			Ø	Bolts	Nuts		
<b>980F</b>	109-9212	001-003-44	1	Bolt-on Edge STD-CTR	2	406	35	1451	MT2	3	1 1/4"	5P 8823	3K 9770	154,6	
<b>Wheel</b>	1U 0761	001-000-86	8	End Bit STD-R/LH	2	556	40	265	MT2	3	1 1/4"	5P 8823	3K 9770	44,2	
<b>GEN.PURP. BUCKETS</b>	109-9230	001-003-45	1	Bolt-on Edge STD-CTR HD	2	406	45	1451	MT2	3	1 1/4"	5P 8823	3K 9770	198,8	
	100-4043	001-001-75	8	End Bit STD-R/LH HD	2	556	45	265	MT2	3	1 1/4"	5P 8823	3K 9770	49,7	
	109-9214	001-002-90	18	Bolt-on Edge AFM-CTR	2	280	32	1450	MT2	3	1 1/4"	5P 8823	3K 9770	101,1	
	123-0334	001-002-93	13	End Bit AFM-RH	1	420	40	265	MT2	3	1 1/4"	5P 8823	3K 9770	34,7	
	123-0335	001-002-94	12	End Bit AFM-LH	1	420	40	265	MT2	3	1 1/4"	5P 8823	3K 9770	34,7	
	109-9019	001-002-83	S1	Segment STD-CTR	7	360	30	315	MT2	3	1 1/4"	5P 8823	3K 9770	25,52	
	135-8219	001-003-81	S1	Segment STD-CTR HD	7	330	45	315	MT2	3	1 1/4"	5P 8823	3K 9770	35,1	
	<b>ROCK BUCKETS</b>	123-1396	.	4	Base Edge SPA-STD	1	645	45	3492	MT3	.	.	.	.	583,0
		145-6977	.	.	Corner RH/LH	2	.	.	.	.	.	.	.	.	.
		123-1396	.	4	Base Edge SPA-STD	1	645	45	3492	MT3	.	.	.	.	583,0
145-6979		.	.	Corner RH/LH	2	.	.	.	.	.	.	.	.	.	
113-9942		.	14	Base Edge SPA-STD	1	645	45	3492	MT3	.	.	.	.	558,0	
9W 5734		001-001-50	S1	Segment STD-CTR	1	480	35	312	MT2	3	1 1/4"	8T 9079	3K 9770	39,31	
9W 5737		001-001-51	S3	Segment STD-RH	3	480	35	323/452	MT2	3	1 1/4"	8T 9079	3K 9770	40,7	
9W 5730		001-001-49	S2	Segment STD-LH	3	480	35	323/452	MT2	3	1 1/4"	8T 9079	3K 9770	40,7	
107-3490		001-002-53	S1	Segment STD-CTR HD	1	480	45	312	MT2	3	1 1/4"	8T 9079	3K 9770	50,5	
107-3491		001-002-54	S3	Segment STD-RH HD	3	480	45	323/452	MT2	3	1 1/4"	8T 9079	3K 9770	52,3	
107-3492	001-002-55	S2	Segment STD-LH HD	3	480	45	323/452	MT2	3	1 1/4"	8T 9079	3K 9770	52,3		
<b>980G</b>	111-9770	.	.	Base Edge STR-STD	1	.	.	.	.	.	.	.	.	317	
<b>Wheel</b>	6I 8249	.	.	Corner RH	1	.	.	.	.	.	.	.	.	.	
<b>GEN.PURP. BUCKETS</b>	6I 8250	.	.	Corner LH	1	.	.	.	.	.	.	.	.	.	
	109-9212	001-003-44	1	Bolt-on Edge STD-CTR	2	406	35	1451	MT2	3	1 1/4"	5P 8823	3K 9770	154,6	
	1U 0761	001-000-86	8	End Bit STD-R/LH	2	556	40	265	MT2	3	1 1/4"	5P 8823	3K 9770	44,2	
	109-9230	001-003-45	1	Bolt-on Edge STD-CTR HD	2	406	45	1451	MT2	3	1 1/4"	5P 8823	3K 9770	198,8	
	100-4043	001-001-75	8	End Bit STD-R/LH HD	2	556	45	265	MT2	3	1 1/4"	5P 8823	3K 9770	49,7	
	109-9214	001-002-90	18	Bolt-on Edge AFM-CTR	2	280	32	1450	MT2	3	1 1/4"	5P 8823	3K 9770	101,1	
	123-0334	001-002-93	13	End Bit AFM-RH	1	420	40	265	MT2	3	1 1/4"	5P 8823	3K 9770	34,7	
	123-0335	001-002-94	12	End Bit AFM-LH	1	420	40	265	MT2	3	1 1/4"	5P 8823	3K 9770	34,7	
	109-9019	001-002-83	S1	Segment STD-CTR	7	360	30	315	MT2	3	1 1/4"	5P 8823	3K 9770	25,52	
	135-8219	.	S1	Segment STD-CTR HD	7	330	45	315	MT2	3	1 1/4"	5P 8823	3K 9770	35,1	
<b>ROCK BUCKETS</b>	113-9942	.	14	Base Edge SPA-STD	1	645	45	3492	MT3	.	.	.	.	558	
	113-9931	.	.	Corner RH/LH	2	.	.	.	.	.	.	.	.	40	
	109-9121	.	5	Bolt-on Edge STD-RH/END	1	406	40	762/662	MT2	5	1 1/4"	6V 6535	3K 9770	86,7	
	109-9122	.	4	Bolt-on Edge STD-RH/CTR	1	406	40	924/824	MT2	6	1 1/4"	6V 6535	3K 9770	106,5	
	109-9123	.	3	Bolt-on Edge STD-CTR	1	406	40	635	MT2	5	1 1/4"	6V 6535	3K 9770	77,34	
	109-9124	.	4	Bolt-on Edge STD-LH/CTR	1	406	40	924/824	MT2	6	1 1/4"	6V 6535	3K 9770	106,5	
	109-9125	.	4	Bolt-on Edge STD-LH/END	1	406	40	762/662	MT2	5	1 1/4"	6V 6535	3K 9770	86,7	
	9W 5734	001-001-50	S1	Segment STD-CTR	1	480	35	312	MT2	3	1 1/4"	8T 9079	3K 9770	39,56	
	9W 5737	001-001-51	S3	Segment STD-RH	3	480	35	323/452	MT2	3	1 1/4"	8T 9079	3K 9770	40,7	
	9W 5730	001-001-49	S2	Segment STD-LH	3	480	35	323/452	MT2	3	1 1/4"	8T 9079	3K 9770	40,7	
<b>ROCK BUCKETS cont.</b>	116-7460	001-003-82	S1	Segment STD-CTR-EXT HD	1	480	45	312	MT2	3	1 1/4"	8T 9079	3K 9770	50,5	
	116-7461	001-003-83	S3	Segment STD-RH-EXT HD	3	480	45	323/452	MT2	3	1 1/4"	8T 9079	3K 9770	63	
	116-7462	001-003-84	S2	Segment STD-LH-EXT HD	3	480	45	323/452	MT2	3	1 1/4"	8T 9079	3K 9770	63	
	123-1396	.	4	Base Edge SPA-STD	1	645	45	3492	MT3	.	.	.	.	583	
	145-6977	.	.	Corner RH/LH	2	.	.	.	.	.	.	.	.	.	
	123-1396	.	4	Base Edge SPA-STD	1	645	45	3492	MT3	.	.	.	.	583	

# CATERPILLAR-LOADERS

Base Edges, Bolt-on Edges, End Bits and Segments



**T O U G H  
C O M P O N E N T S**

Tractor Type	O.E.M. Part Number	MTM Part Number	Ref.	Description	No Pcs	Millimeters			Ql. ty.	Nr. H.	FASTENERS			W. Kg.
						W	T	L			Ø	Bolts	Nuts	
<b>980G</b>	145-6979	.	.	Corner RH/LH	2	.	.	.	.	.	.	.	.	.
<b>Wheel</b>	113-9942	.	14	Base Edge SPA-STD	1	645	45	3492	MT3	.	.	.	.	558
<b>ROCK BUCKETS</b>	145-6979	.	.	Corner RH/LH	2	.	.	.	.	.	.	.	.	.
	109-9121	.	5	Bolt-on Edge STD-RH/END	1	406	40	762/662	MT2	5	1 1/4"	6V 6535	3K 9770	86,7
	109-9122	.	5	Bolt-on Edge STD-RH/CTR	1	406	40	924/824	MT2	6	1 1/4"	6V 6535	3K 9770	106,5
	109-9123	.	3	Bolt-on Edge STD-CTR	1	406	40	635	MT2	5	1 1/4"	6V 6535	3K 9770	77,34
	109-9124	.	4	Bolt-on Edge STD-LH/CTR	1	406	40	924/824	MT2	6	1 1/4"	6V 6535	3K 9770	106,5
	109-9125	.	4	Bolt-on Edge STD-LH/END	1	406	40	762/662	MT2	5	1 1/4"	6V 6535	3K 9770	86,7
	136-0878	.	1	Base Edge STR-STD	1	300	45	3492	MT2	.	.	.	.	354
	139-9576	.	.	Corner LH	1	.	.	.	.	.	.	.	.	.
	134-1748	.	14	Base Edge SPA-STD	1	645	50	3492	MT3	.	.	.	.	622,0
	145-6977	.	.	Corner RH/LH	2	.	.	.	.	.	.	.	.	.
	9W 5734	001-001-50	S1	Segment STD-CTR	1	480	35	312	MT2	3	1 1/4"	8T 9079	3K 9770	39,3
	9W 5737	001-001-51	S3	Segment STD-RH	3	480	35	323/452	MT2	3	1 1/4"	8T 9079	3K 9770	40,7
	9W 5730	001-001-49	S2	Segment STD-LH	3	480	35	323/452	MT2	3	1 1/4"	8T 9079	3K 9770	40,7
	107-3490	001-002-53	S1	Segment STD-CTR HD	1	480	45	312	MT2	3	1 1/4"	8T 9079	3K 9770	50,5
	107-3491	001-002-54	S3	Segment STD-RH HD	3	480	45	323/452	MT2	3	1 1/4"	8T 9079	3K 9770	52,3
	107-3492	001-002-55	S2	Segment STD-LH HD	3	480	45	323/452	MT2	3	1 1/4"	8T 9079	3K 9770	52,3
	113-9942	.	14	Base Edge SPA-STD	1	645	45	3942	MT3	.	.	.	.	558
	145-6977	.	.	Corner RH/LH	2	.	.	.	.	.	.	.	.	.
	9W 5734	001-001-50	S1	Segment STD-CTR	1	480	35	312	MT2	3	1 1/4"	8T 9079	3K 9770	39,3
	9W 5737	001-001-51	S3	Segment STD-RH	3	480	35	323/452	MT2	3	1 1/4"	8T 9079	3K 9770	40,7
	9W 5730	001-001-49	S2	Segment STD-LH	3	480	35	323/452	MT2	3	1 1/4"	8T 9079	3K 9770	40,7
	107-3490	001-002-53	S1	Segment STD-CTR HD	1	480	45	312	MT2	3	1 1/4"	8T 9079	3K 9770	50,5
	107-3491	001-002-54	S3	Segment STD-RH HD	3	480	45	323/452	MT2	3	1 1/4"	8T 9079	3K 9770	52,3
	107-3492	001-002-55	S2	Segment STD-LH HD	3	480	45	323/452	MT2	3	1 1/4"	8T 9079	3K 9770	52,3
	135-7115	.	.	Base Edge STR-STD	1	280	50	3568	MT2	.	.	.	.	374,6
	134-1753	.	.	Corner RH/LH	2	.	.	.	.	.	.	.	.	42,0
	9W 5734	001-001-50	S1	Segment STD-CTR	7	480	35	312	MT2	3	1 1/4"	8T 9079	3K 9770	39,3
	107-3490	001-002-53	S1	Segment STD-CTR HD	7	480	45	312	MT2	3	1 1/4"	8T 9079	3K 9770	50,5
<b>977</b>	6W 2983	001-P02-34	13	Base Edge STR-STD	1	300	40	2430	MT2	30	1 1/4"	.	.	218,7
<b>Track</b>	4V 7174	001-500-L01	1	Corner LH	1	219	35	229	MT2	1	1 1/2"	.	.	10,0
<b>GEN.PURP. BUCKETS</b>	4V 7175	001-500-R01	1	Corner RH	1	219	35	229	MT2	1	1 1/2"	.	.	10,0
	1U 2408	001-000-30	1	Bolt-on Edge STD-CTR	2	360	30	1018	MT2	3	1 1/4"	5P 8823	3K 9770	82,5
	3G 6395	001-000-92	8	End Bit STD-R/LH	2	510	35	200	MT2	3	1 1/4"	5P 8823	3K 9770	26,8
	1U 1897**	001-000-90	9	End Bit STD-R/LH-ANG	2	610/510	35	200	MT2	3	1 1/4"	5P 8823	3K 9770	29,5
	4T 6696	001-001-35	S1	Segment STD-CTR	7	360	30	190	MT2	2	1 1/4"	5P 8823	3K 9770	15,4
	140-6865	001-003-85	S1	Segment STD-CTR HD	7	360	35	190	MT2	2	1 1/4"	5P 8823	3K 9770	18,0
	8K 7858*	.	.	Base Edge	.	.	.	.	.	.	.	.	.	.
	8K 7525	001-521-X00	5	Corner RH/LH	1	220	40	224	MT2	.	.	.	.	12,0
	8K 7526	001-521-X00	5	Corner RH/LH	1	220	40	224	MT2	.	.	.	.	12,0
	8K 9499*	001-P01-61	9	Base Edge STR-STD	1	280	32	2485	MT2	21	1"	.	.	167,0
	8K 7525	001-521-X00	5	Corner RH/LH	1	220	40	224	MT2	.	.	.	.	12,0
	8K 7526	001-521-X00	5	Corner RH/LH	1	220	40	224	MT2	.	.	.	.	12,0
	1U 1478	001-000-04	2	Bolt-on Edge STD-RH/END	1	360	30	1416	MT2	8	1"	4F 4042	2J 3507	114,7
	1U 1479	001-000-24	2	Bolt-on Edge STD-LH	1	360	30	1067	MT2	6	1"	4F 4042	2J 3507	86,4
	9K 8472	001-P00-94	1	Base Edge STR-STD	1	270	32	2489	MT2	.	.	.	.	161,3
	1V 8664	.	.	Corner RH/LH	2	234	32	181	MT2	.	.	.	.	8,0
cont.	2V 7536*	.	.	Base Edge	.	.	.	.	.	.	.	.	.	.

\*8K 9499 end 8K 7858 replaced by 6W 2983.2V 7536 replaced by 7V 0898 \*\* Optional

# CATERPILLAR-LOADERS

Base Edges, Bolt-on Edges, End Bits and Segments



**T O U G H  
C O M P O N E N T S**

Tractor Type	O.E.M. Part Number	MTM Part Number	Ref.	Description	No Pcs	Millimeters			Ql. ty.	Nr. H.	FASTENERS			W. Kg.
						W	T	L			Ø	Bolts	Nuts	
<b>977</b>	8K 7525	001-521-X00	5	Corner RH/LH	1	220	40	224	MT2	.	.	.	.	12,0
<b>Track</b>	8K 7526	001-521-X00	5	Corner RH/LH	1	220	40	224	MT2	.	.	.	.	12,0
GEN.PURP. BUCKETS	1U 1478	001-000-04	2	Bolt-on Edge STD-CTR	2	360	30	1416	MT2	8	1"	1J 5607	2J 3507	114,7
	7V 0906*	001-P01-05	7	Base Edge STR-STD	1	300	40	2431	MT2	18	1 1/4"	.	.	218,8
	4V 7174	001-500-L01	1	Corner LH	1	219	35	229	MT2	1	1 1/2"	.	.	10,0
	4V 7175	001-500-R01	1	Corner RH	1	219	35	229	MT2	1	1 1/2"	.	.	10,0
	1U 2408	001-000-30	1	Bolt-on Edge STD-CTR	2	360	30	1018	MT2	3	1 1/4"	5P 8823	3K 9770	82,5
	3G 6395	001-000-92	8	End Bit STD-R/LH	2	510	35	200	MT2	3	1 1/4"	5P 8823	3K 9770	26,8
	1U 1897**	001-000-90	9	End Bit STD-R/LH-ANG	2	610/510	35	200	MT2	3	1 1/4"	5P 8823	3K 9770	29,5
	7V 0898	001-P00-71	7	Base Edge STR-STD	1	300	40	2805	MT2	18	1 1/4"	.	.	252,5
	4V 7174	001-500-L01	1	Corner LH	1	219	35	229	MT2	1	1 1/2"	.	.	10,0
	4V 7175	001-500-R01	1	Corner RH	1	219	35	229	MT2	1	1 1/2"	.	.	10,0
	1U 2409	001-000-15	1	Bolt-on Edge STD-CTR	2	360	30	1205	MT2	3	1 1/4"	5P 8823	3K 9770	97,6
	3G 6395	001-000-92	8	End Bit STD-R/LH	2	510	35	200	MT2	3	1 1/4"	5P 8823	3K 9770	26,8
	1U 1897**	001-000-90	9	End Bit STD-R/LH-ANG	2	610/510	35	200	MT2	3	1 1/4"	5P 8823	3K 9770	29,5
	<b>973</b>	5V 0600	001-P00-91	7	Base Edge STR-STD	1	300	40	2603	MT2	18	1 1/4"	.	.
<b>Track</b>	4V 7174	001-500-L01	1	Corner LH	1	219	35	229	MT2	1	1 1/2"	.	.	10,0
GEN.PURP. BUCKETS	4V 7175	001-500-R01	1	Corner RH	1	219	35	229	MT2	1	1 1/2"	.	.	10,0
	1U 0591	001-000-22	1	Bolt-on Edge STD-CTR	2	360	30	1106	MT2	3	1 1/4"	5P 8823	3K 9770	89,6
	3G 6395	001-000-92	8	End Bit STD-R/LH	2	510	35	200	MT2	3	1 1/4"	5P 8823	3K 9770	26,8
	1U 1897**	001-000-90	9	End Bit STD-R/LH-ANG	2	610/510	35	200	MT2	3	1 1/4"	5P 8823	3K 9770	29,5
	9V 5287	001-P01-90	1	Base Edge STR-STD	1	300	40	2690	MT2	.	.	.	.	242,1
	6W 2453	.	.	Corner LH	1	.	.	.	.	.	.	.	.	.
	6W 2454	.	.	Corner RH	1	.	.	.	.	.	.	.	.	.
	6W 2981	001-P02-32	13	Base Edge STR-STD	1	300	40	2846	MT2	30	1 1/4"	.	.	256,1
	4V 7174	001-500-L01	1	Corner LH	1	219	35	229	MT2	1	1 1/2"	.	.	10,0
	4V 7175	001-500-R01	1	Corner RH	1	219	35	229	MT2	1	1 1/2"	.	.	10,0
	1U 2406	001-000-11	1	Bolt-on Edge STD-CTR	2	360	30	1230	MT2	3	1 1/4"	5P 8823	3K 9770	99,6
	3G 6395	001-000-92	8	End Bit STD-R/LH	2	510	35	200	MT2	3	1 1/4"	5P 8823	3K 9770	26,8
	1U 1897**	001-000-90	9	End Bit STD-R/LH-ANG	2	610/510	35	200	MT2	3	1 1/4"	5P 8823	3K 9770	29,5
	4T 6698	001-001-37	S1	Segment STD-CTR	7	360	30	240	MT2	2	1 1/4"	5P 8823	3K 9770	19,44
	140-6867	001-003-86	S1	Segment STD-CTR HD	7	360	35	240	MT2	2	1 1/4"	5P 8823	3K 9770	22,68
	4V 9714	001-P00-66	.	Base Edge STR-STD	1	300	40	2846	MT2	.	.	.	.	256,1
	4V 7174	001-500-L01	1	Corner LH	1	219	35	229	MT2	1	1 1/2"	.	.	10,0
	4V 7175	001-500-R01	1	Corner RH	1	219	35	229	MT2	1	1 1/2"	.	.	10,0
	1U 2406	001-000-11	1	Bolt-on Edge STD-CTR	2	360	30	1230	MT2	3	1 1/4"	5P 8823	3K 9770	99,6
	3G 6395	001-000-92	8	End Bit STD-R/LH	2	510	35	200	MT2	3	1 1/4"	5P 8823	3K 9770	26,8
1U 1897**	001-000-90	9	End Bit STD-R/LH-ANG	2	610/510	35	200	MT2	3	1 1/4"	5P 8823	3K 9770	29,5	
9V 5283	001-P01-93	1	Base Edge STR-STD	1	300	40	2934	MT2	.	.	.	.	264,1	
6W 2453	.	.	Corner LH	1	.	.	.	.	.	.	.	.	.	
6W 2454	.	.	Corner RH	1	.	.	.	.	.	.	.	.	.	
5G 7303	001-P01-99	.	Base Edge STR-STD	1	300	40	2702	MT2	.	1 1/4"	.	.	243,2	
4V 7174	001-500-L01	1	Corner LH	1	219	35	229	MT2	1	1 1/2"	.	.	10,0	
4V 7175	001-500-R01	1	Corner RH	1	219	35	229	MT2	1	1 1/2"	.	.	10,0	
9W 8334	.	.	Bolt-on Edge STD-CTR	2	360	30	1153	MT2	3	1 1/4"	5P 8823	3K 9770	93,4	
3G 6395	001-000-92	8	End Bit STD-R/LH	2	510	35	200	MT2	3	1 1/4"	5P 8823	3K 9770	26,8	
1U 1897**	001-000-90	9	End Bit STD-R/LH-ANG	2	610/510	35	200	MT2	3	1 1/4"	5P 8823	3K 9770	29,5	
cont.	5G 7304	.	Base Edge STR-STD	1	300	40	2702	MT2	.	1 1/4"	.	.	243,2	

\* 7V 0906 replaced by 6W 2983. \*\* Optional

# CATERPILLAR-LOADERS

Base Edges, Bolt-on Edges, End Bits and Segments



**T O U G H  
C O M P O N E N T S**

Tractor Type	O.E.M.Part Number	MTM Part Number	Ref.	Description	No Pcs	Millimeters			Ql. ty.	Nr. H.	FASTENERS			W. Kg.
						W	T	L			Ø	Bolts	Nuts	
<b>973</b>	9W 8334	.	.	Bolt-on Edge STD-CTR	2	360	30	1153	MT2	3	1 1/4"	5P 8823	3K 9770	93,39
<b>Track</b>	3G 6395	001-000-92	8	End Bit STD-R/LH	2	510	35	200	MT2	3	1 1/4"	5P 8823	3K 9770	26,8
<b>GEN.PURP. BUCKETS</b>	1U 1897**	001-000-90	9	End Bit STD-R/LH-ANG	2	610/510	35	200	MT2	3	1 1/4"	5P 8823	3K 9770	29,5
	4T 6697	001-001-36	S1	Segment STD-CTR	7	360	30	210	MT2	2	1 1/4"	5P 8823	3K 9770	17,0
	140-6866	001-003-87	S1	Segment STD-CTR HD	7	360	35	210	MT2	2	1 1/4"	5P 8823	3K 9770	19,8
	135-9648	001-003-88	S30	Segment AFM-CTR	7	360	30	210	MT2	2	1 1/4"	5P 8823	3K 9770	18,1
	6W 2982	001-P02-33	13	Base Edge STR-STD	1	300	40	2602	MT2	30	1 1/4"	.	.	234,2
	4V 7174	001-500-L01	1	Corner LH	1	219	35	229	MT2	1	1 1/2"	.	.	10,0
	4V 7175	001-500-R01	1	Corner RH	1	219	35	229	MT2	1	1 1/2"	.	.	10,0
	1U 0591	001-000-22	1	Bolt-on Edge STD-CTR	2	360	30	1106	MT2	3	1 1/4"	5P 8823	3K 9770	89,6
	3G 6395	001-000-92	8	End Bit STD-R/LH	2	510	35	200	MT2	3	1 1/4"	5P 8823	3K 9770	26,8
	1U 1897**	001-000-90	9	End Bit STD-R/LH-ANG	2	610/510	35	200	MT2	3	1 1/4"	5P 8823	3K 9770	29,5
	4T 6697	001-001-36	S1	Segment STD-CTR	7	360	30	210	MT2	2	1 1/4"	5P 8823	3K 9770	17,0
	140-6866	001-003-87	S1	Segment STD-CTR HD	7	360	35	210	MT2	2	1 1/4"	5P 8823	3K 9770	19,8
	135-9648	001-003-88	S30	Segment AFM-CTR	7	360	30	210	MT2	2	1 1/4"	5P 8823	3K 9770	18,1
<b>ROCK BUCKETS</b>	9V 0171	001-P00-82	4	Base Edge SPA-STD	1	470	40	2705	MT3	.	.	.	.	336,0
	8K 7525	001-521-X00	5	Corner RH/LH	1	220	40	224	MT2	.	.	.	.	12,0
	8K 7526	001-521-X00	5	Corner RH/LH	1	220	40	224	MT2	.	.	.	.	12,0
<b>GEN.PURP. BUCKETS</b>	6W 2994	001-P02-44	14	Base Edge SPA-STD	1	470	45	2705	MT3	.	.	.	.	393
	8K 7525	001-521-X00	5	Corner RH/LH	1	220	40	224	MT2	.	.	.	.	12,0
	8K 7526	001-521-X00	5	Corner RH/LH	1	220	40	224	MT2	.	.	.	.	12,0
	9W 3676	001-000-50	2	Bolt-on Edge STD-CTR	1	406	45	917	MT2	4	1 1/4"	6V 6535	3K 9770	125,7
	9W 3678	001-000-64	5	Bolt-on Edge STD-RH/END	1	406	45	1030/927	MT2	6	1 1/4"	6V 6535	3K 9770	131
	9W 3677	001-000-52	4	Bolt-on Edge STD-LH/END	1	406	45	1030/927	MT2	6	1 1/4"	6V 6535	3K 9770	131
	4T 3015	001-001-40	S1	Segment STD-CTR	2	360	30	256	MT2	2	1 1/4"	6V 6535	3K 9770	20,7
	4T 9123	001-001-46	S3	Segment STD-RH	2	360	30	355/265	MT2	2	1 1/4"	6V 6535	3K 9770	21,5
	4T 9124	001-001-47	S2	Segment STD-LH	2	360	30	355/265	MT2	2	1 1/4"	6V 6535	3K 9770	21,5
<b>972G</b>	9V 6575	001-P02-10	13	Base Edge STR-STD	1	300	40	3036	MT2	30	1 1/4"	.	.	273,2
<b>Wheel</b>	8E 5310	.	.	Corner LH	1	.	.	.	.	.	.	.	.	.
<b>GEN.PURP. BUCKETS</b>	8E 5311	.	.	Corner RH	1	.	.	.	.	.	.	.	.	.
	1U 0593	001-000-07	1	Bolt-on Edge STD-CTR	2	360	30	1319	MT2	3	1 1/4"	5P 8823	3K 9770	106,8
	3G 6395	001-000-92	8	End Bit STD-R/LH	2	510	35	200	MT2	3	1 1/4"	5P 8823	3K 9770	26,8
	1U 1897**	001-000-90	9	End Bit STD-R/LH-ANG	2	610/510	35	200	MT2	3	1 1/4"	5P 8823	3K 9770	29,5
	100-4046	001-001-80	1	Bolt-on Edge STD-CTR HD	2	406	35	1319	MT2	3	1 1/4"	5P 8823	3K 9770	140,6
	100-4044	001-001-76	8	End Bit STD-R/LH HD	2	556	40	200	MT2	3	1 1/4"	5P 8823	3K 9770	33,4
	9W 3477	001-002-09	18	Bolt-on Edge AFM-RH	1	280	32	1319	MT2	3	1 1/4"	5P 8823	3K 9770	92,0
	9W 3478	001-002-10	18	Bolt-on Edge AFM-LH	1	280	32	1319	MT2	3	1 1/4"	5P 8823	3K 9770	92,0
	123-0336	001-002-95	13	End Bit AFM-RH	1	380	35	200	MT2	3	1 1/4"	5P 8823	3K 9770	21,0
	123-0337	001-002-96	12	End Bit AFM-LH	1	380	35	200	MT2	3	1 1/4"	5P 8823	3K 9770	21,0
	4T 6699	001-001-38	S1	Segment STD-CTR	7	360	30	270	MT2	2	1 1/4"	5P 8823	3K 9770	21,9
	140-6868	001-003-89	S1	Segment STD-CTR HD	7	360	35	270	MT2	2	1 1/4"	5P 8823	3K 9770	25,5
	7I 3015	.	.	Base Edge STR-STD	1	300	40	3193	MT2	.	.	.	.	287,5
	8E 5310	.	.	Corner LH	1	.	.	.	.	.	.	.	.	.
	8E 5311	.	.	Corner RH	1	.	.	.	.	.	.	.	.	.
	100-6668	001-001-63	1	Bolt-on Edge STD-CTR	2	360	30	1400	MT2	3	1 1/4"	5P 8823	3K 9770	113,4
	3G 6395	001-000-92	8	End Bit STD-R/LH	2	510	35	200	MT2	3	1 1/4"	5P 8823	3K 9770	26,8

\*\* Optional

# CATERPILLAR-LOADERS

Base Edges, Bolt-on Edges, End Bits and Segments



**T O U G H  
C O M P O N E N T S**

Tractor Type	O.E.M. Part Number	MTM Part Number	Ref.	Description	No Pcs	Millimeters			Ql. ty.	Nr. H.	FASTENERS			W. Kg.
						W	T	L			Ø	Bolts	Nuts	
<b>972G</b>	<b>1U 1897**</b>	001-000-90	9	End Bit STD-R/LH-ANG	2	610/510	35	200	MT2	3	1 1/4"	5P 8823	3K 9770	29,5
<b>Wheel</b>	<b>135-9410</b>	001-003-97	1	Bolt-on Edge STD-CTR HD	2	360	35	1400	MT2	3	1 1/4"	5P 8823	3K 9770	132,3
<b>GEN.PURP. BUCKETS</b>	<b>100-4044</b>	001-001-76	8	End Bit STD-R/LH HD	2	556	40	200	MT2	3	1 1/4"	5P 8823	3K 9770	33,4
	<b>107-3286</b>	001-002-48	18	Bolt-on Edge AFM-RH	1	280	32	1400	MT2	3	1 1/4"	5P 8823	3K 9770	97,6
	<b>107-3287</b>	001-002-49	18	Bolt-on Edge AFM-LH	1	280	32	1400	MT2	3	1 1/4"	5P 8823	3K 9770	97,6
	<b>123-0336</b>	001-002-95	13	End Bit AFM-RH	1	380	35	200	MT2	3	1 1/4"	5P 8823	3K 9770	21,0
	<b>123-0337</b>	001-002-96	12	End Bit AFM-LH	1	380	35	200	MT2	3	1 1/4"	5P 8823	3K 9770	21,0
	<b>100-6666</b>	001-003-90	S1	Segment STD-CTR	7	360	30	293	MT2	2	1 1/4"	5P 8823	3K 9770	23,7
	<b>140-6870</b>	001-003-91	S1	Segment STD-CTR HD	7	360	35	293	MT2	2	1 1/4"	5P 8823	3K 9770	27,7
<b>ROCK BUCKETS</b>	<b>148-6915</b>	.	14	Base Edge SPA-STD	1	615	40	3252	MT3	.	.	.	.	.
	<b>148-6935</b>	.	.	Sidebar AMBI	2	.	.	.	.	.	.	.	.	.
	<b>135-9294</b>	001-003-92	S1	Segment STD-CTR	1	330	40	300	MT2	2	1 1/4"	8T 9079	3K 9770	29,7
	<b>135-9295</b>	001-003-93	S3	Segment STD-RH	3	330	40	404/315	MT2	2	1 1/4"	8T 9079	3K 9770	35,5
	<b>135-9296</b>	001-003-94	S2	Segment STD-LH	3	330	40	404/315	MT2	2	1 1/4"	8T 9079	3K 9770	35,5
	<b>154-1604</b>	.	14	Base Edge SPA-STD	1	615	40	3252	MT3	.	.	.	.	.
	<b>148-6935</b>	.	.	Sidebar AMBI	2	.	.	.	.	.	.	.	.	.
	<b>135-8240</b>	.	3	Bolt-on Edge STD-CTR	1	.	.	.	MT2	4	1 1/4"	8T 9079	3K 9770	55,0
	<b>135-8243</b>	.	5	Bolt-on Edge STD-RH/CTR	1	.	.	.	MT2	3	1 1/4"	8T 9079	3K 9770	59,0
	<b>135-8241</b>	.	5	Bolt-on Edge STD-RH/END	1	.	.	.	MT2	4	1 1/4"	8T 9079	3K 9770	77,0
	<b>135-8244</b>	.	4	Bolt-on Edge STD-LH/CTR	1	.	.	.	MT2	3	1 1/4"	8T 9079	3K 9770	59,0
	<b>135-8242</b>	.	4	Bolt-on Edge STD-LH/END	1	.	.	.	MT2	4	1 1/4"	8T 9079	3K 9770	77,0
<b>970</b>	<b>7I 3631</b>	.	.	Base Edge STR-STD	1	300	40	2925	MT2	.	.	.	.	263,3
<b>Wheel</b>	<b>4V 7174</b>	001-500-L01	1	Corner LH	1	219	35	229	MT2	1	1 1/2"	.	.	10,0
<b>GEN.PURP. BUCKETS</b>	<b>4V 7175</b>	001-500-R01	1	Corner RH	1	219	35	229	MT2	1	1 1/2"	.	.	10,0
	<b>1U 1909</b>	001-000-09	1	Bolt-on Edge STD-CTR	2	360	30	1260	MT2	3	1 1/4"	5P 8823	3K 9770	102,1
	<b>3G 6395</b>	001-000-92	8	End Bit STD-R/LH	2	510	35	200	MT2	3	1 1/4"	5P 8823	3K 9770	26,8
	<b>107-3282</b>	001-002-46	18	Bolt-on Edge AFM-RH	1	280	32	1260	MT2	3	1 1/4"	5P 8823	3K 9770	87,8
	<b>107-3283</b>	001-002-47	18	Bolt-on Edge AFM-LH	1	280	32	1260	MT2	3	1 1/4"	5P 8823	3K 9770	87,8
	<b>123-0336</b>	001-002-95	13	End Bit AFM-RH	1	380	35	200	MT2	3	1 1/4"	5P 8823	3K 9770	21,0
	<b>123-0337</b>	001-002-96	12	End Bit AFM-LH	1	380	35	200	MT2	3	1 1/4"	5P 8823	3K 9770	21,0
	<b>100-6664</b>	001-003-95	S1	Segment STD-CTR	7	360	30	253	MT2	2	1 1/4"	5P 8823	3K 9770	20,5
	<b>140-6869</b>	001-003-96	S1	Segment STD-CTR HD	7	360	35	253	MT2	2	1 1/4"	5P 8823	3K 9770	23,9
<b>970</b>	<b>9V 6575</b>	001-P02-10	13	Base Edge STR-STD	1	300	40	3036	MT2	30	1 1/4"	.	.	273,2
<b>970F</b>	<b>4V 7174</b>	001-500-L01	1	Corner LH	1	219	35	229	MT2	1	1 1/2"	.	.	10,0
<b>Wheel</b>	<b>4V 7175</b>	001-500-R01	1	Corner RH	1	219	35	229	MT2	1	1 1/2"	.	.	10,0
<b>GEN.PURP. BUCKETS</b>	<b>1U 0593</b>	001-000-07	1	Bolt-on Edge STD-CTR	2	360	30	1319	MT2	3	1 1/4"	5P 8823	3K 9770	106,8
	<b>3G 6395</b>	001-000-92	8	End Bit STD-R/LH	2	510	35	200	MT2	3	1 1/4"	5P 8823	3K 9770	26,8
	<b>100-4046</b>	001-001-80	1	Bolt-on Edge STD-CTR HD	2	406	35	1319	MT2	3	1 1/4"	5P 8823	3K 9770	140,6
	<b>100-4044</b>	001-001-76	8	End Bit STD-R/LH HD	2	556	40	200	MT2	3	1 1/4"	5P 8823	3K 9770	33,4
	<b>9W 3477</b>	001-002-09	18	Bolt-on Edge AFM-RH	1	280	32	1319	MT2	3	1 1/4"	5P 8823	3K 9770	92,0
	<b>9W 3478</b>	001-002-10	18	Bolt-on Edge AFM-LH	1	280	32	1319	MT2	3	1 1/4"	5P 8823	3K 9770	92,0
	<b>123-0336</b>	001-002-95	13	End Bit AFM-RH	1	380	35	200	MT2	3	1 1/4"	5P 8823	3K 9770	21,0
	<b>123-0337</b>	001-002-96	12	End Bit AFM-LH	1	380	35	200	MT2	3	1 1/4"	5P 8823	3K 9770	21,0
	<b>4T 6699</b>	001-001-38	S1	Segment STD-CTR	7	360	30	270	MT2	2	1 1/4"	5P 8823	3K 9770	21,9
	<b>140-6868</b>	001-003-89	S1	Segment STD-CTR HD	7	360	35	270	MT2	2	1 1/4"	5P 8823	3K 9770	25,5
cont.	<b>7I 3015</b>	.	.	Base Edge STR-STD	1	300	40	3193	MT2	.	.	.	.	287,5

\*\* Optional

# CATERPILLAR-LOADERS

Base Edges, Bolt-on Edges, End Bits and Segments



**T O U G H  
C O M P O N E N T S**

Tractor Type	O.E.M.Part Number	MTM Part Number	Ref.	Description	No Pcs	Millimeters			Ql. ty.	Nr. H.	FASTENERS			W. Kg.
						W	T	L			Ø	Bolts	Nuts	
970	4V 7174	001-500-L01	1	Corner LH	1	219	35	229	MT2	1	1 1/2"	.	.	10,0
970F	4V 7175	001-500-R01	1	Corner RH	1	219	35	229	MT2	1	1 1/2"	.	.	10,0
Wheel	100-6668	001-001-63	1	Bolt-on Edge STD-CTR	2	360	30	1400	MT2	3	1 1/4"	5P 8823	3K 9770	113,4
GEN.PURP. BUCKETS	3G 6395	001-000-92	8	End Bit STD-R/LH	2	510	35	200	MT2	3	1 1/4"	5P 8823	3K 9770	26,8
	135-9410	001-003-97	1	Bolt-on Edge STD-CTR HD	2	360	35	1400	MT2	3	1 1/4"	5P 8823	3K 9770	132,3
	100-4044	001-001-76	8	End Bit STD-R/LH HD	2	556	40	200	MT2	3	1 1/4"	5P 8823	3K 9770	33,4
	107-3286	001-002-48	18	Bolt-on Edge AFM-RH	1	280	32	1400	MT2	3	1 1/4"	5P 8823	3K 9770	97,6
	107-3287	001-002-49	18	Bolt-on Edge AFM-LH	1	280	32	1400	MT2	3	1 1/4"	5P 8823	3K 9770	97,6
	123-0336	001-002-95	13	End Bit AFM-RH	1	380	35	200	MT2	3	1 1/4"	5P 8823	3K 9770	21,0
	123-0337	001-002-96	12	End Bit AFM-LH	1	380	35	200	MT2	3	1 1/4"	5P 8823	3K 9770	21,0
	100-6666	001-003-90	S1	Segment STD-CTR	7	360	30	293	MT2	2	1 1/4"	5P 8823	3K 9770	23,7
	140-6870	001-003-91	S1	Segment STD-CTR HD	7	360	35	293	MT2	2	1 1/4"	5P 8823	3K 9770	27,7
966C	8K 9754*	001-P01-48	9	Base Edge STR-STD	1	280	32	2921	MT2	24	1"	.	.	196,3
Wheel	8K 7525	001-521-X00	6	Corner RH/LH	1	220	40	224	MT2	.	.	.	.	12,0
GEN.PURP. BUCKETS	8K 7526	001-521-X00	6	Corner RH/LH	1	220	40	224	MT2	.	.	.	.	12,0
	1U 1476	001-000-06	2	Bolt-on Edge STD-CTR	1	360	30	1404	MT2	8	1"	4F 4042	2J 3507	113,7
	1U 1475	001-000-45	2	Bolt-on Edge STD-R/LH	2	360	30	756	MT2	4	1"	4F 4042	2J 3507	61,2
	9W 3472	001-002-06	19	Bolt-on Edge AFM-CTR	1	250	30	1404	MT2	8	1"	4F 4042	2J 3507	82,5
	9W 3473	001-002-07	19	Bolt-on Edge AFM-RH	1	250	30	756	MT2	4	1"	4F 4042	2J 3507	44,4
	9W 3474	001-002-08	19	Bolt-on Edge AFM-LH	1	250	30	756	MT2	4	1"	4F 4042	2J 3507	44,4
	1V 3917	001-P00-60	1	Base Edge STR-STD	1	270	32	2921	MT2	.	.	.	.	189,3
	8K 7525	001-521-X00	6	Corner RH/LH	1	220	40	224	MT2	.	.	.	.	12,0
	8K 7526	001-521-X00	6	Corner RH/LH	1	220	40	224	MT2	.	.	.	.	12,0
	1V 3917	001-P00-60	1	Base Edge STR-STD	1	270	32	2921	MT2	.	.	.	.	189,3
	1V 8664	.	.	Corner RH/LH	2	234	32	181	MT2	.	.	.	.	8,0
	6W 2990	001-P02-41	7	Base Edge STR-STD	1	280	32	2856	MT2	18	1 1/4"	.	.	191,9
	5V 2772	001-500-R02	1	Corner RH	1	219	35	229	MT2	1	1 1/2"	.	.	10
	5V 2773	001-500-L02	1	Corner LH	1	219	35	229	MT2	1	1 1/2"	.	.	10
	1U 2406	001-000-11	1	Bolt-on Edge STD-CTR	2	360	30	1230	MT2	3	1 1/4"	5P 8823	3K 9770	99,6
	3G 6395	001-000-92	8	End Bit STD-R/LH	2	510	35	200	MT2	3	1 1/4"	5P 8823	3K 9770	26,8
	1U 1897**	001-000-90	9	End Bit STD-R/LH-ANG	2	610/510	35	200	MT2	3	1 1/4"	5P 8823	3K 9770	29,5
	100-4045	001-001-79	1	Bolt-on Edge STD-CTR HD	2	406	35	1231	MT2	3	1 1/4"	5P 8823	3K 9770	131,2
	100-4044	001-001-76	8	End Bit STD-R/LH HD	2	556	40	200	MT2	3	1 1/4"	5P 8823	3K 9770	33,4
	9W 3479	001-002-11	18	Bolt-on Edge AFM-RH	1	280	32	1231	MT2	3	1 1/4"	5P 8823	3K 9770	85,8
	9W 3480	001-002-12	18	Bolt-on Edge AFM-LH	1	280	32	1231	MT2	3	1 1/4"	5P 8823	3K 9770	85,8
	123-0336	001-002-95	13	End Bit AFM-RH	1	380	35	200	MT2	3	1 1/4"	5P 8823	3K 9770	21,0
	123-0337	001-002-96	12	End Bit AFM-LH	1	380	35	200	MT2	3	1 1/4"	5P 8823	3K 9770	21,0
	4T 6698	001-001-37	S1	Segment STD-CTR	7	360	30	240	MT2	2	1 1/4"	5P 8823	3K 9770	19,44
	140-6867	001-003-86	S1	Segment STD-CTR HD	7	360	35	240	MT2	2	1 1/4"	5P 8823	3K 9770	22,68
	8K 9754*	001-P01-48	9	Base Edge STR-STD	1	280	32	2921	MT2	24	1"	.	.	196,3
	8K 7525	001-521-X00	6	Corner RH/LH	1	220	40	224	MT2	.	.	.	.	12,0
	8K 7526	001-521-X00	6	Corner RH/LH	1	220	40	224	MT2	.	.	.	.	12,0
	6W2989	001-P00-67	7	Base Edge STR-STD	1	280	32	2840	MT2	18	1 1/4"	.	.	190,8
	5V 2772	001-500-R02	1	Corner RH	1	219	35	229	MT2	1	1 1/2"	.	.	10
	5V 2773	001-500-L02	1	Corner LH	1	219	35	229	MT2	1	1 1/2"	.	.	10
cont.	1U 2407	001-000-12	1	Bolt-on Edge STD-CTR	2	360	30	1222	MT2	3	1 1/4"	5P 8823	3K 9770	99,0

\* 8K 9754 replaced by 6W 2990 . \*\* Optional



# CATERPILLAR-LOADERS

Base Edges, Bolt-on Edges, End Bits and Segments



**T O U G H  
C O M P O N E N T S**

Tractor Type	O.E.M. Part Number	MTM Part Number	Ref.	Description	No Pcs	Millimeters			Ql. ty.	Nr. H.	FASTENERS			W. Kg.
						W	T	L			Ø	Bolts	Nuts	
<b>966C</b>	<b>3G 6395</b>	001-000-92	8	End Bit STD-R/LH	2	510	35	200	MT2	3	1 1/4"	5P 8823	3K 9770	26,8
<b>Wheel</b>	<b>1U 1897**</b>	001-000-90	9	End Bit STD-R/LH-ANG	2	610/510	35	200	MT2	3	1 1/4"	5P 8823	3K 9770	29,5
<b>GEN.PURP. BUCKETS</b>	<b>135-9532</b>	001-003-98	1	Bolt-on Edge STD-CTR HD	2	360	35	1222	MT2	3	1 1/4"	5P 8823	3K 9770	115,5
	<b>100-4044</b>	001-001-76	8	End Bit STD-R/LH HD	2	556	40	200	MT2	3	1 1/4"	5P 8823	3K 9770	33,4
	<b>4T 6698</b>	001-001-37	S1	Segment STD-CTR	7	360	30	240	MT2	2	1 1/4"	5P 8823	3K 9770	19,44
	<b>140-6867</b>	001-003-86	S1	Segment STD-CTR HD	7	360	35	240	MT2	2	1 1/4"	5P 8823	3K 9770	22,68
	<b>7K 1158</b>	001-P00-64	4	Base Edge SPA-STD	1	606	40	2870	MT3	.	.	.	.	415
	<b>4K 9757</b>	.	.	Corner RH	.	.	.	.	.	.	.	.	.	.
	<b>4K 9758</b>	.	.	Corner LH	.	.	.	.	.	.	.	.	.	.
<b>966D</b>	<b>7V 1490</b>	001-P00-56	7	Base Edge STR-STD	1	300	40	3032	MT2	18	1 1/4"	.	.	272,9
<b>966E</b>	<b>4V 7174</b>	001-500-L01	1	Corner LH	1	219	35	229	MT2	1	1 1/2"	.	.	10,0
<b>966F</b>	<b>4V 7175</b>	001-500-R01	1	Corner RH	1	219	35	229	MT2	1	1 1/2"	.	.	10,0
<b>Wheel</b>	<b>1U 0593</b>	001-000-07	1	Bolt-on Edge STD-CTR	2	360	30	1319	MT2	3	1 1/4"	5P 8823	3K 9770	106,8
<b>GEN.PURP. BUCKETS</b>	<b>3G 6395</b>	001-000-92	8	End Bit STD-R/LH	2	510	35	200	MT2	3	1 1/4"	5P 8823	3K 9770	26,8
	<b>1U 1897**</b>	001-000-90	9	End Bit STD-R/LH-ANG	2	610/510	35	200	MT2	3	1 1/4"	5P 8823	3K 9770	29,5
	<b>100-4046</b>	001-001-80	1	Bolt-on Edge STD-CTR HD	2	406	35	1319	MT2	3	1 1/4"	5P 8823	3K 9770	140,6
	<b>100-4044</b>	001-001-76	8	End Bit STD-R/LH HD	2	556	40	200	MT2	3	1 1/4"	5P 8823	3K 9770	33,4
	<b>9W 3477</b>	001-002-09	18	Bolt-on Edge AFM-RH	1	280	32	1319	MT2	3	1 1/4"	5P 8823	3K 9770	92,0
	<b>9W 3478</b>	001-002-10	18	Bolt-on Edge AFM-LH	1	280	32	1319	MT2	3	1 1/4"	5P 8823	3K 9770	92,0
	<b>123-0336</b>	001-002-95	13	End Bit AFM-RH	1	380	35	200	MT2	3	1 1/4"	5P 8823	3K 9770	21,0
	<b>123-0337</b>	001-002-96	12	End Bit AFM-LH	1	380	35	200	MT2	3	1 1/4"	5P 8823	3K 9770	21,0
	<b>9V 6575</b>	001-P02-10	13	Base Edge STR-STD	1	300	40	3036	MT2	30	1 1/4"	.	.	273,2
	<b>4V 7174</b>	001-500-L01	1	Corner LH	1	219	35	229	MT2	1	1 1/2"	.	.	10,0
	<b>4V 7175</b>	001-500-R01	1	Corner RH	1	219	35	229	MT2	1	1 1/2"	.	.	10,0
	<b>1U 0593</b>	001-000-07	1	Bolt-on Edge STD-CTR	2	360	30	1319	MT2	3	1 1/4"	5P 8823	3K 9770	106,8
	<b>3G 6395</b>	001-000-92	8	End Bit STD-R/LH	2	510	35	200	MT2	3	1 1/4"	5P 8823	3K 9770	26,8
	<b>1U 1897**</b>	001-000-90	9	End Bit STD-R/LH-ANG	2	610/510	35	200	MT2	3	1 1/4"	5P 8823	3K 9770	29,5
	<b>100-4046</b>	001-001-80	1	Bolt-on Edge STD-CTR HD	2	406	35	1319	MT2	3	1 1/4"	5P 8823	3K 9770	140,6
	<b>100-4044</b>	001-001-76	8	End Bit STD-R/LH HD	2	556	40	200	MT2	3	1 1/4"	5P 8823	3K 9770	33,4
	<b>9W 3477</b>	001-002-09	18	Bolt-on Edge AFM-RH	1	280	32	1319	MT2	3	1 1/4"	5P 8823	3K 9770	92,0
	<b>9W 3478</b>	001-002-10	18	Bolt-on Edge AFM-LH	1	280	32	1319	MT2	3	1 1/4"	5P 8823	3K 9770	92,0
	<b>123-0336</b>	001-002-95	13	End Bit AFM-RH	1	380	35	200	MT2	3	1 1/4"	5P 8823	3K 9770	21,0
	<b>123-0337</b>	001-002-96	12	End Bit AFM-LH	1	380	35	200	MT2	3	1 1/4"	5P 8823	3K 9770	21,0
	<b>4T 6699</b>	001-001-38	S1	Segment STD-CTR	7	360	30	270	MT2	2	1 1/4"	5P 8823	3K 9770	21,9
	<b>140-6868</b>	001-003-89	S1	Segment STD-CTR HD	7	360	35	270	MT2	2	1 1/4"	5P 8823	3K 9770	25,5
<b>ROCK BUCKETS</b>	<b>9V 0170</b>	001-P00-51	4	Base Edge SPA-STD	1	580	40	3085	MT3	.	.	.	.	435
	<b>8K 7525</b>	001-521-X00	6	Corner RH/LH	1	220	40	224	MT2	.	.	.	.	12,0
	<b>8K 7526</b>	001-521-X00	6	Corner RH/LH	1	220	40	224	MT2	.	.	.	.	12,0
	<b>6W 2993</b>	001-P02-43	14	Base Edge SPA-STD	1	580	45	3085	MT3	.	.	.	.	490
	<b>8K 7525</b>	001-521-X00	6	Corner RH/LH	1	220	40	224	MT2	.	.	.	.	12,0
	<b>8K 7526</b>	001-521-X00	6	Corner RH/LH	1	220	40	224	MT2	.	.	.	.	12,0
	<b>4T 9185</b>	001-001-21	3	Bolt-on Edge STD-CTR	1	360	30	572	MT2	4	1 1/4"	6V 6535	3K 9770	46,3
	<b>4T 9126</b>	001-001-18	5	Bolt-on Edge STD-RH/CTR	1	360	30	745/655	MT2	3	1 1/4"	6V 6535	3K 9770	53
	<b>4T 9128</b>	001-001-20	5	Bolt-on Edge STD-RH/END	1	360	30	727/637	MT2	4	1 1/4"	6V 6535	3K 9770	51,6
	<b>4T 9125</b>	001-001-17	4	Bolt-on Edge STD-LH/CTR	1	360	30	745/655	MT2	3	1 1/4"	6V 6535	3K 9770	53
	<b>4T 9127</b>	001-001-19	4	Bolt-on Edge STD-LH/END	1	360	30	727/637	MT2	4	1 1/4"	6V 6535	3K 9770	51,6
	<b>4T 6697</b>	001-001-36	S1	Segment STD-CTR	1	360	30	210	MT2	2	1 1/4"	6V 6535	3K 9770	17,0
<b>cont.</b>	<b>4T 9123</b>	001-001-46	S3	Segment STD-RH	3	360	30	355/265	MT2	2	1 1/4"	6V 6535	3K 9770	21,5

\*\*Optional

# CATERPILLAR-LOADERS

Base Edges, Bolt-on Edges, End Bits and Segments



**T O U G H  
C O M P O N E N T S**

Tractor Type	O.E.M. Part Number	MTM Part Number	Ref.	Description	No Pcs	Millimeters			Ql. ty.	Nr. H.	FASTENERS			W. Kg.
						W	T	L			Ø	Bolts	Nuts	
<b>966D</b>	4T 9124	001-001-47	S2	Segment STD-LH	3	360	30	355/265	MT2	2	1 1/4"	6V 6535	3K 9770	21,5
<b>966E</b>	135-9648	001-003-88	S30	Segment AFM-CTR	1	360	30	210	MT2	2	1 1/4"	6V 6535	3K 9770	18,1
<b>966F</b>	135-9649	.	S31	Segment AFM-RH	3	360	30	355/265	MT2	2	1 1/4"	6V 6535	3K 9770	25,1
<b>Wheel</b>	135-9647	.	S32	Segment AFM-LH	3	360	30	355/265	MT2	2	1 1/4"	6V 6535	3K 9770	25,1
<b>966D</b>	7V 0912	001-P00-55	7	Base Edge STR-STD	1	280	32	3040	MT2	12	1 1/4"	.	.	204,3
<b>966E</b>	7V 1744	.	.	Corner LH	1	248	38	232	MT2	.	.	.	.	11,5
<b>Wheel</b>	7V 1749	.	.	Corner RH	1	248	38	232	MT2	.	.	.	.	11,5
<b>GEN.PURP. BUCKETS</b>	1U 0593	001-000-07	1	Bolt-on Edge STD-CTR	2	360	30	1319	MT2	3	1 1/4"	5P 8823	3K 9770	106,8
	3G 6395	001-000-92	8	End Bit STD-R/LH	2	510	35	200	MT2	3	1 1/4"	5P 8823	3K 9770	26,8
	1U 1897**	001-000-90	9	End Bit STD-R/LH-ANG	2	610/510	35	200	MT2	3	1 1/4"	5P 8823	3K 9770	29,5
	100-4046	001-001-80	1	Bolt-on Edge STD-CTR HD	2	406	35	1319	MT2	3	1 1/4"	5P 8823	3K 9770	140,6
	100-4044	001-001-76	8	End Bit STD-R/LH HD	2	556	40	200	MT2	3	1 1/4"	5P 8823	3K 9770	33,4
	9W 3477	001-002-09	18	Bolt-on Edge AFM-RH	1	280	32	1319	MT2	3	1 1/4"	5P 8823	3K 9770	92,0
	9W 3478	001-002-10	18	Bolt-on Edge AFM-LH	1	280	32	1319	MT2	3	1 1/4"	5P 8823	3K 9770	92,0
	123-0336	001-002-95	13	End Bit AFM-RH	1	380	35	200	MT2	3	1 1/4"	5P 8823	3K 9770	21,0
	123-0337	001-002-96	12	End Bit AFM-LH	1	380	35	200	MT2	3	1 1/4"	5P 8823	3K 9770	21,0
	7V 6844	001-P00-61	7	Base Edge STR-STD	1	300	40	2912	MT2	18	1 1/4"	.	.	262,1
	4V 7174	001-500-L01	1	Corner LH	1	219	35	229	MT2	1	1 1/2"	.	.	10,0
	4V 7175	001-500-R01	1	Corner RH	1	219	35	229	MT2	1	1 1/2"	.	.	10,0
	1U 1909	001-000-09	1	Bolt-on Edge STD-CTR	1	360	30	1260	MT2	3	1 1/4"	5P 8823	3K 9770	102,1
	3G 6395	001-000-92	8	End Bit STD-R/LH	2	510	35	200	MT2	3	1 1/4"	5P 8823	3K 9770	26,8
	1U 1897**	001-000-90	9	End Bit STD-R/LH-ANG	2	610/510	35	200	MT2	3	1 1/4"	5P 8823	3K 9770	29,5
	135-9355	001-003-99	1	Bolt-on Edge STD-CTR HD	1	360	35	1260	MT2	3	1 1/4"	5P 8823	3K 9770	119,1
	100-4044	001-001-76	8	End Bit STD-R/LH HD	2	556	40	200	MT2	3	1 1/4"	5P 8823	3K 9770	33,4
	107-3282	001-002-46	18	Bolt-on Edge AFM-RH	1	280	32	1260	MT2	3	1 1/4"	5P 8823	3K 9770	87,8
	107-3283	001-002-47	18	Bolt-on Edge AFM-LH	1	280	32	1260	MT2	3	1 1/4"	5P 8823	3K 9770	87,8
	123-0336	001-002-95	13	End Bit AFM-RH	1	380	35	200	MT2	3	1 1/4"	5P 8823	3K 9770	21,0
	123-0337	001-002-96	12	End Bit AFM-LH	1	380	35	200	MT2	3	1 1/4"	5P 8823	3K 9770	21,0
<b>ROCK BUCKETS</b>	9V 0170	001-P00-51	4	Base Edge SPA-STD	1	580	40	3085	MT3	.	.	.	.	435
	8K 7525	001-521-X00	6	Corner RH/LH	1	220	40	224	MT2	.	.	.	.	12,0
	8K 7526	001-521-X00	6	Corner RH/LH	1	220	40	224	MT2	.	.	.	.	12,0
	6W 2993	001-P02-43	14	Base Edge SPA-STD	1	580	45	3085	MT3	.	.	.	.	490
	8K 7525	001-521-X00	6	Corner RH/LH	1	220	40	224	MT2	.	.	.	.	12,0
	8K 7526	001-521-X00	6	Corner RH/LH	1	220	40	224	MT2	.	.	.	.	12,0
	4T 9185	001-001-21	3	Bolt-on Edge STD-CTR	1	360	30	572	MT2	4	1 1/4"	6V 6535	3K 9770	46,3
	4T 9126	001-001-18	5	Bolt-on Edge STD-RH/CTR	1	360	30	745/655	MT2	3	1 1/4"	6V 6535	3K 9770	53
	4T 9128	001-001-20	5	Bolt-on Edge STD-RH/END	1	360	30	727/637	MT2	4	1 1/4"	6V 6535	3K 9770	51,6
	4T 9125	001-001-17	4	Bolt-on Edge STD-LH/CTR	1	360	30	745/655	MT2	3	1 1/4"	6V 6535	3K 9770	53
	4T 9127	001-001-19	4	Bolt-on Edge STD-LH/END	1	360	30	727/637	MT2	4	1 1/4"	6V 6535	3K 9770	51,6
	4T 6697	001-001-36	S1	Segment STD-CTR	1	360	30	210	MT2	2	1 1/4"	6V 6535	3K 9770	17,0
	4T 9123	001-001-46	S3	Segment STD-RH	3	360	30	355/265	MT2	2	1 1/4"	6V 6535	3K 9770	21,5
	4T 9124	001-001-47	S2	Segment STD-LH	3	360	30	355/265	MT2	2	1 1/4"	6V 6535	3K 9770	21,5
	135-9648	001-003-88	S30	Segment AFM-CTR	1	360	30	210	MT2	2	1 1/4"	6V 6535	3K 9770	18,1
	135-9649	.	S31	Segment AFM-RH	3	360	30	355/265	MT2	2	1 1/4"	6V 6535	3K 9770	25,1
	135-9647	.	S32	Segment AFM-LH	3	360	30	355/265	MT2	2	1 1/4"	6V 6535	3K 9770	25,1
<b>966F</b>	9V 6575	001-P02-10	13	Base Edge STR-STD	1	300	40	3036	MT2	30	1 1/4"	.	.	273,2
<b>Wheel</b>	4V 7174	001-500-L01	1	Corner LH	1	219	35	229	MT2	1	1 1/2"	.	.	10,0

\*\*Optional

# CATERPILLAR-LOADERS

Base Edges, Bolt-on Edges, End Bits and Segments



**T O U G H  
C O M P O N E N T S**

Tractor Type	O.E.M. Part Number	MTM Part Number	Ref.	Description	No Pcs	Millimeters			Ql. ty.	Nr. H.	FASTENERS			W. Kg.
						W	T	L			Ø	Bolts	Nuts	
<b>966F</b>	4V 7175	001-500-R01	1	Corner RH	1	219	35	229	MT2	1	1 1/2"	.	.	10,0
<b>Wheel</b>	1U 0593	001-000-07	1	Bolt-on Edge STD-CTR	2	360	30	1319	MT2	3	1 1/4"	5P 8823	3K 9770	106,8
<b>GEN.PURP. BUCKETS</b>	3G 6395	001-000-92	8	End Bit STD-R/LH	2	510	35	200	MT2	3	1 1/4"	5P 8823	3K 9770	26,8
	1U 1897**	001-000-90	9	End Bit STD-R/LH-ANG	2	610/510	35	200	MT2	3	1 1/4"	5P 8823	3K 9770	29,5
	100-4046	001-001-80	1	Bolt-on Edge STD-CTR HD	2	406	35	1319	MT2	3	1 1/4"	5P 8823	3K 9770	140,6
	100-4044	001-001-76	8	End Bit STD-R/LH HD	2	556	40	200	MT2	3	1 1/4"	5P 8823	3K 9770	33,4
	9W 3477	001-002-09	18	Bolt-on Edge AFM-RH	1	280	32	1319	MT2	3	1 1/4"	5P 8823	3K 9770	92,0
	9W 3478	001-002-10	18	Bolt-on Edge AFM-LH	1	280	32	1319	MT2	3	1 1/4"	5P 8823	3K 9770	92,0
	123-0336	001-002-95	13	End Bit AFM-RH	1	380	35	200	MT2	3	1 1/4"	5P 8823	3K 9770	21,0
	123-0337	001-002-96	12	End Bit AFM-LH	1	380	35	200	MT2	3	1 1/4"	5P 8823	3K 9770	21,0
	4T 6699	001-001-38	S1	Segment STD-CTR	7	360	30	270	MT2	2	1 1/4"	5P 8823	3K 9770	21,9
	140-6868	001-003-89	S1	Segment STD-CTR HD	7	360	35	270	MT2	2	1 1/4"	5P 8823	3K 9770	25,5
<b>ROCK BUCKETS</b>	6W 2993	001-P02-43	14	Base Edge SPA-STD	1	580	45	3085	MT3	.	.	.	.	490
	8K 7525	001-521-X00	6	Corner RH/LH	1	220	40	224	MT2	.	.	.	.	12,0
	8K 7526	001-521-X00	6	Corner RH/LH	1	220	40	224	MT2	.	.	.	.	12,0
	4T 9185	001-001-21	3	Bolt-on Edge STD-CTR	1	360	30	572	MT2	4	1 1/4"	6V 6535	3K 9770	46,3
	4T 9126	001-001-18	5	Bolt-on Edge STD-RH/CTR	1	360	30	745/655	MT2	3	1 1/4"	6V 6535	3K 9770	53
	4T 9128	001-001-20	5	Bolt-on Edge STD-RH/END	1	360	30	727/637	MT2	4	1 1/4"	6V 6535	3K 9770	51,6
	4T 9125	001-001-17	4	Bolt-on Edge STD-LH/CTR	1	360	30	745/655	MT2	3	1 1/4"	6V 6535	3K 9770	53
	4T 9127	001-001-19	4	Bolt-on Edge STD-LH/END	1	360	30	727/637	MT2	4	1 1/4"	6V 6535	3K 9770	51,6
	4T 6697	001-001-36	S1	Segment STD-CTR	1	360	30	210	MT2	2	1 1/4"	6V 6535	3K 9770	17,0
	4T 9123	001-001-46	S3	Segment STD-RH	3	360	30	355/265	MT2	2	1 1/4"	6V 6535	3K 9770	21,5
	4T 9124	001-001-47	S2	Segment STD-LH	3	360	30	355/265	MT2	2	1 1/4"	6V 6535	3K 9770	21,5
	135-9648	001-003-88	S30	Segment AFM-CTR	1	360	30	210	MT2	2	1 1/4"	6V 6535	3K 9770	18,1
	135-9649	.	S31	Segment AFM-RH	3	360	30	355/265	MT2	2	1 1/4"	6V 6535	3K 9770	25,1
	135-9647	.	S32	Segment AFM-LH	3	360	30	355/265	MT2	2	1 1/4"	6V 6535	3K 9770	25,1
<b>966G</b>	9V 6575	001-P02-10	13	Base Edge STR-STD	1	300	40	3036	MT2	30	1 1/4"	.	.	273,2
<b>Wheel</b>	8E 5310	.	.	Corner LH	1	.	.	.	.	.	.	.	.	.
<b>GEN.PURP. BUCKETS</b>	8E 5311	.	.	Corner RH	1	.	.	.	.	.	.	.	.	.
	1U 0593	001-000-07	1	Bolt-on Edge STD-CTR	2	360	30	1319	MT2	3	1 1/4"	5P 8823	3K 9770	106,8
	3G 6395	001-000-92	8	End Bit STD-R/LH	2	510	35	200	MT2	3	1 1/4"	5P 8823	3K 9770	26,8
	1U 1897**	001-000-90	9	End Bit STD-R/LH-ANG	2	610/510	35	200	MT2	3	1 1/4"	5P 8823	3K 9770	29,5
	100-4046	001-001-80	1	Bolt-on Edge STD-CTR HD	2	406	35	1319	MT2	3	1 1/4"	5P 8823	3K 9770	140,6
	100-4044	001-001-76	8	End Bit STD-R/LH HD	2	556	40	200	MT2	3	1 1/4"	5P 8823	3K 9770	33,4
	9W 3477	001-002-09	18	Bolt-on Edge AFM-RH	1	280	32	1319	MT2	3	1 1/4"	5P 8823	3K 9770	92,0
	9W 3478	001-002-10	18	Bolt-on Edge AFM-LH	1	280	32	1319	MT2	3	1 1/4"	5P 8823	3K 9770	92,0
	123-0336	001-002-95	13	End Bit AFM-RH	1	380	35	200	MT2	3	1 1/4"	5P 8823	3K 9770	21,0
	123-0337	001-002-96	12	End Bit AFM-LH	1	380	35	200	MT2	3	1 1/4"	5P 8823	3K 9770	21,0
	4T 6699	001-001-38	S1	Segment STD-CTR	7	360	30	270	MT2	2	1 1/4"	5P 8823	3K 9770	21,9
	140-6868	001-003-89	S1	Segment STD-CTR HD	7	360	35	270	MT2	2	1 1/4"	5P 8823	3K 9770	25,5
	7I 3015	.	.	Base Edge STR-STD	1	300	40	3193	MT2	.	.	.	.	287,5
	8E 5310	.	.	Corner LH	1	.	.	.	.	.	.	.	.	.
	8E 5311	.	.	Corner RH	1	.	.	.	.	.	.	.	.	.
	100-6668	001-001-63	1	Bolt-on Edge STD-CTR	2	360	30	1400	MT2	3	1 1/4"	5P 8823	3K 9770	113,4
	3G 6395	001-000-92	8	End Bit STD-R/LH	2	510	35	200	MT2	3	1 1/4"	5P 8823	3K 9770	26,8
	1U 1897**	001-000-90	9	End Bit STD-R/LH-ANG	2	610/510	35	200	MT2	3	1 1/4"	5P 8823	3K 9770	29,5
cont.	135-9410	001-003-97	1	Bolt-on Edge STD-CTR HD	2	360	35	1400	MT2	3	1 1/4"	5P 8823	3K 9770	132,3

\*\*Optional

# CATERPILLAR-LOADERS

Base Edges, Bolt-on Edges, End Bits and Segments



**T O U G H  
C O M P O N E N T S**

Tractor Type	O.E.M.Part Number	MTM Part Number	Ref.	Description	No Pcs	Millimeters			Ql. ty.	Nr. H.	FASTENERS			W. Kg.
						W	T	L			Ø	Bolts	Nuts	
<b>966G</b>	<b>100-4044</b>	001-001-76	8	End Bit STD-R/LH HD	2	556	40	200	MT2	3	1 1/4"	5P 8823	3K 9770	33,4
<b>Wheel</b>	<b>107-3286</b>	001-002-48	18	Bolt-on Edge AFM-RH	1	280	32	1400	MT2	3	1 1/4"	5P 8823	3K 9770	97,6
<b>GEN.PURP. BUCKETS</b>	<b>107-3287</b>	001-002-49	18	Bolt-on Edge AFM-LH	1	280	32	1400	MT2	3	1 1/4"	5P 8823	3K 9770	97,6
	<b>123-0336</b>	001-002-95	13	End Bit AFM-RH	1	380	35	200	MT2	3	1 1/4"	5P 8823	3K 9770	21,0
	<b>123-0337</b>	001-002-96	12	End Bit AFM-LH	1	380	35	200	MT2	3	1 1/4"	5P 8823	3K 9770	21,0
	<b>100-6666</b>	001-003-90	S1	Segment STD-CTR	7	360	30	293	MT2	2	1 1/4"	5P 8823	3K 9770	23,7
	<b>140-6870</b>	001-003-91	S1	Segment STD-CTR HD	7	360	35	293	MT2	2	1 1/4"	5P 8823	3K 9770	27,7
<b>ROCK BUCKETS</b>	<b>148-6914</b>	.	.	Base Edge SPA-STD	1	.	.	.	.	.	.	.	.	.
	<b>148-6935</b>	.	.	Sidebar AMBI	2	.	.	.	.	.	.	.	.	.
	<b>135-9294</b>	001-003-92	S1	Segment STD-CTR	1	330	40	300	MT2	2	1 1/4"	8T 9079	3K 9770	29,7
	<b>135-9295</b>	001-003-93	S3	Segment STD-RH	3	330	40	404/315	MT2	2	1 1/4"	8T 9079	3K 9770	35,5
	<b>135-9296</b>	001-003-94	S2	Segment STD-LH	3	330	40	404/315	MT2	2	1 1/4"	8T 9079	3K 9770	35,5
	<b>154-1604</b>	.	14	Base Edge SPA-STD	1	615	40	3252	MT3	.	.	.	.	.
	<b>148-6934</b>	.	.	Sidebar AMBI	2	.	.	.	.	.	.	.	.	.
	<b>135-8240</b>	.	3	Bolt-on Edge STD-CTR	1	.	.	.	MT2	4	1 1/4"	8T 9079	3K 9770	55,0
	<b>135-8243</b>	.	5	Bolt-on Edge STD-RH/CTR	1	.	.	.	MT2	3	1 1/4"	8T 9079	3K 9770	59,0
	<b>135-8241</b>	.	5	Bolt-on Edge STD-RH/END	1	.	.	.	MT2	4	1 1/4"	8T 9079	3K 9770	77,0
	<b>135-8244</b>	.	4	Bolt-on Edge STD-LH/CTR	1	.	.	.	MT2	3	1 1/4"	8T 9079	3K 9770	59,0
	<b>135-8242</b>	.	4	Bolt-on Edge STD-LH/END	1	.	.	.	MT2	4	1 1/4"	8T 9079	3K 9770	77,0
<b>963</b>	<b>4V 4958</b>	001-P01-20	7	Base Edge STR-STD	1	280	32	2268	MT2	18	1 1/4"	.	.	152,4
<b>Track</b>	<b>5V 1783</b>	001-503-R03	2	Corner One-Bolt RH	1	210	25	207	MT2	1	1 1/2"	.	.	6,0
<b>GEN.PURP. BUCKETS</b>	<b>5V 1784</b>	001-503-L03	2	Corner One-Bolt LH	1	210	25	207	MT2	1	1 1/2"	.	.	6,0
	<b>1U 0599</b>	001-000-32	1	Bolt-on Edge STD-CTR	2	360	30	976	MT2	3	1"	4F 4042	2J 3507	79,1
	<b>4T 8101</b>	001-000-94	8	End Bit STD-R/LH	2	496	30	170	MT2	3	1"	4F 4042	2J 3507	19,0
	<b>1U 1898**</b>	001-000-91	9	End Bit STD-R/LH-ANG	2	576/496	35	170	MT2	3	1"	4F 4042	2J 3507	24,0
	<b>9V 5340</b>	001-P01-87	1	Base Edge STR-STD	1	280	32	2346	MT2	.	.	.	.	158,0
	<b>4V 8667</b>	.	.	Corner RH	1	.	.	.	.	.	.	.	.	.
	<b>4V 8668</b>	.	.	Corner LH	1	.	.	.	.	.	.	.	.	.
	<b>6W 2980</b>	001-P02-31	13	Base Edge STR-STD	1	280	32	2474	MT2	30	1"	.	.	166,3
	<b>5V 1783</b>	001-503-R03	2	Corner One-Bolt RH	1	210	25	207	MT2	1	1 1/2"	.	.	6,0
	<b>5V 1784</b>	001-503-L03	2	Corner One-Bolt LH	1	210	25	207	MT2	1	1 1/2"	.	.	6,0
	<b>1U 0600</b>	001-000-23	1	Bolt-on Edge STD-CTR	2	360	30	1079	MT2	3	1"	4F 4042	2J 3507	87,4
	<b>4T 8101</b>	001-000-94	8	End Bit STD-R/LH	2	496	30	170	MT2	3	1"	4F 4042	2J 3507	19,0
	<b>1U 1898**</b>	001-000-91	9	End Bit STD-R/LH-ANG	2	576/496	35	170	MT2	3	1"	4F 4042	2J 3507	24,0
	<b>4T 6694</b>	001-001-33	S1	Segment STD-CTR	7	280	25	225	MT2	2	1"	4F 4042	2J 3507	11,8
	<b>132-1035</b>	001-004-00	S1	Segment STD-CTR HD	7	280	32	225	MT2	2	1"	4F 4042	2J 3507	15,1
	<b>9V 5328</b>	001-P02-50	1	Base Edge STR-STD	1	280	32	2551	MT2	.	.	.	.	171,4
	<b>4V 8667</b>	.	.	Corner RH	1	.	.	.	.	.	.	.	.	.
	<b>4V 8668</b>	.	.	Corner LH	1	.	.	.	.	.	.	.	.	.
	<b>6W 2979</b>	001-P02-30	13	Base Edge STR-STD	1	280	32	2268	MT2	30	1"	.	.	152,4
	<b>5V 1783</b>	001-503-R03	2	Corner One-Bolt RH	1	210	25	207	MT2	1	1 1/2"	.	.	6,0
	<b>5V 1784</b>	001-503-L03	2	Corner One-Bolt LH	1	210	25	207	MT2	1	1 1/2"	.	.	6,0
	<b>1U 0599</b>	001-000-32	1	Bolt-on Edge STD-CTR	2	360	30	976	MT2	3	1"	4F 4042	2J 3507	79,1
	<b>4T 8101</b>	001-000-94	8	End Bit STD-R/LH	2	496	30	170	MT2	3	1"	4F 4042	2J 3507	19,0
	<b>1U 1898**</b>	001-000-91	9	End Bit STD-R/LH-ANG	2	576/496	35	170	MT2	3	1"	4F 4042	2J 3507	24,0
	<b>4T 6692</b>	001-001-31	S1	Segment STD-CTR	5	280	25	195	MT2	2	1"	4F 4042	2J 3507	10,2
	<b>4T 6693</b>	001-001-32	S1	Segment STD-CTR	2	280	25	210	MT2	2	1"	4F 4042	2J 3507	11,0
cont.	<b>4V 3174</b>	001-P00-95	7	Base Edge STR-STD	1	280	32	2474	MT2	18	1"	.	.	166,3

\*\*Optional

# CATERPILLAR-LOADERS

Base Edges, Bolt-on Edges, End Bits and Segments



**T O U G H  
C O M P O N E N T S**

Tractor Type	O.E.M.Part Number	MTM Part Number	Ref.	Description	No Pcs	Millimeters			Ql. ty.	Nr. H.	FASTENERS			W. Kg.
						W	T	L			Ø	Bolts	Nuts	
<b>963</b>	5V 1783	001-503-R03	2	Corner One-Bolt RH	1	210	25	207	MT2	1	1 1/2"	.	.	6,0
<b>Track</b>	5V 1784	001-503-L03	2	Corner One-Bolt LH	1	210	25	207	MT2	1	1 1/2"	.	.	6,0
GEN.PURP. BUCKETS	8E 5300	.	.	Corner Two-Bolt RH	.	.	.	.	.	.	.	.	.	.
	8E 5301	.	.	Corner Two-Bolt LH	.	.	.	.	.	.	.	.	.	.
	1U 0600	001-000-23	1	Bolt-on Edge STD-CTR	2	360	30	1079	MT2	3	1"	4F 4042	2J 3507	87,4
	4T 8101	001-000-94	8	End Bit STD-R/LH	2	496	30	170	MT2	3	1"	4F 4042	2J 3507	19,0
	1U 1898**	001-000-91	9	End Bit STD-R/LH-ANG	2	576/496	35	170	MT2	3	1"	4F 4042	2J 3507	24,0
<b>963B</b>	8Y 6263	.	.	Base Edge STR-STD	1	280	32	2498	MT2	.	.	.	.	167,9
<b>Track</b>	5V 2772	001-500-R02	1	Corner One-Bolt RH	1	219	35	229	MT2	1	1 1/2"	.	.	10
GEN.PURP. BUCKETS	5V 2773	001-500-L02	1	Corner One-Bolt LH	1	219	35	229	MT2	1	1 1/2"	.	.	10
	8E 5320	.	.	Corner Two-Bolt LH	1	.	.	.	.	.	.	.	.	.
	8E 5321	.	.	Corner Two-Bolt RH	1	.	.	.	.	.	.	.	.	.
	8E 5793	.	.	Bolt-on Edge	2	.	.	.	.	.	.	6V 6535	3K 9770	.
	3G 6395	001-000-92	8	End Bit STD-R/LH	2	510	35	200	MT2	3	1 1/4"	6V 6535	3K 9770	26,8
	1U 1897**	001-000-90	9	End Bit STD-R/LH-ANG	2	610/510	35	200	MT2	3	1 1/4"	6V 6535	3K 9770	29,5
	4T 6696	001-001-35	S1	Segment STD-CTR	2	360	30	190	MT2	2	1 1/4"	5P 8823	3K 9770	15,4
	4T 6697	001-001-36	S1	Segment STD-CTR	5	360	30	210	MT2	2	1 1/4"	5P 8823	3K 9770	17,0
	140-6865	001-003-85	S1	Segment STD-CTR HD	2	360	35	190	MT2	2	1 1/4"	5P 8823	3K 9770	18,0
	140-6866	001-003-87	S1	Segment STD-CTR HD	5	360	35	210	MT2	2	1 1/4"	5P 8823	3K 9770	19,8
	8Y 9404	.	1	Base Edge STR-STD	1	280	32	2583	MT2	.	.	.	.	173,6
	6W 2453	.	.	Corner LH	.	.	.	.	.	.	.	.	.	.
	6W 2454	.	.	Corner RH	.	.	.	.	.	.	.	.	.	.
	6W 2980	001-P02-31	13	Base Edge STR-STD	1	280	32	2474	MT2	30	1"	.	.	166,3
	5V 1783	001-503-R03	2	Corner One-Bolt RH	1	210	25	207	MT2	1	1 1/2"	.	.	6,0
	5V 1784	001-503-L03	2	Corner One-Bolt LH	1	210	25	207	MT2	1	1 1/2"	.	.	6,0
	8E 5300	.	.	Corner Two-Bolt RH	1	.	.	.	.	.	.	.	.	.
8E 5301	.	.	Corner Two-Bolt LH	1	.	.	.	.	.	.	.	.	.	
1U 0600	001-000-23	1	Bolt-on Edge STD-CTR	2	360	30	1079	MT2	3	1"	4F 4042	2J 3507	87,4	
4T 8101	001-000-94	8	End Bit STD-R/LH	2	496	30	170	MT2	3	1"	4F 4042	2J 3507	19,0	
1U 1898**	001-000-91	9	End Bit STD-R/LH-ANG	2	576/496	35	170	MT2	3	1"	4F 4042	2J 3507	24,0	
4T 6694	001-001-33	S1	Segment STD-CTR	7	280	25	225	MT2	2	1"	4F 4042	2J 3507	11,8	
<b>962G</b>	141-4847	.	.	Base Edge STR-STD	1	270	32	2886	MT2	.	.	.	.	187,0
<b>Wheel</b>	8E 5300	.	.	Corner Two-Bolt RH	1	.	.	.	.	.	.	.	.	.
GEN.PURP. BUCKETS	8E 5301	.	.	Corner Two-Bolt LH	1	.	.	.	.	.	.	.	.	.
	139-9230	001-003-12	1	Bolt-on Edge STD-CTR	2	360	30	1280	MT2	3	1"	4F 4042	2J 3507	103,7
	4T 8101	001-000-94	8	End Bit STD-R/LH	2	496	30	170	MT2	3	1"	4F 4042	2J 3507	19,0
	1U 1898**	001-000-91	9	End Bit STD-R/LH-ANG	2	576/496	35	170	MT2	3	1"	4F 4042	2J 3507	24,0
	135-9666	.	.	Bolt-on Edge STD-CTR HD	2	.	35	.	.	.	1"	4F 4042	2J 3507	.
	132-1033	001-003-11	8	End Bit STD-R/LH HD	2	496	35	170	MT2	3	1"	4F 4042	2J 3507	22,1
	138-0672	.	18	Bolt-on Edge AFM-RH/CTR	1	.	.	.	MT2	3	1"	4F 4042	2J 3507	.
	138-0673	.	18	Bolt-on Edge AFM-LH/CTR	1	.	.	.	MT2	3	1"	4F 4042	2J 3507	.
	9W 3488	001-002-20	13	End Bit AFM-RH	1	360	30	170	MT2	3	1"	4F 4042	2J 3507	14,6
	9W 3489	001-002-21	12	End Bit AFM-LH	1	360	30	170	MT2	3	1"	4F 4042	2J 3507	14,6
	132-4715	001-004-01	S1	Segment STD-CTR HD	7	305	35	278	MT2	2	1"	4F 4042	2J 3507	22,3
ROCK BUCKETS	141-8823	.	14	Base Edge SPA-STD	1	493	35	2969	MT3	.	.	.	.	277
	6W 3468	.	.	Corner RH/LH	2	.	.	.	.	.	.	.	.	.
	142-9406	.	4	Base Edge SPA-STD	1	493	35	2969	MT3	.	.	.	.	.
6W 3468	.	.	Corner RH/LH	2	.	.	.	.	.	.	.	.	.	

\*\*Optional

# CATERPILLAR-LOADERS

Base Edges, Bolt-on Edges, End Bits and Segments



**T O U G H  
C O M P O N E N T S**

Tractor Type	O.E.M.Part Number	MTM Part Number	Ref.	Description	No Pcs	Millimeters			Ql. ty.	Nr. H.	FASTENERS			W. Kg.
						W	T	L			Ø	Bolts	Nuts	
<b>960F</b>	9V 6575	001-P02-10	13	Base Edge STR-STD	1	300	40	3036	MT2	30	1 1/4"	.	.	273,2
<b>Wheel</b>	4V 7174	001-500-L01	1	Corner LH	1	219	35	229	MT2	1	1 1/2"	.	.	10,0
<b>GEN.PURP. BUCKETS</b>	4V 7175	001-500-R01	1	Corner RH	1	219	35	229	MT2	1	1 1/2"	.	.	10,0
	1U 0593	001-000-07	1	Bolt-on Edge STD-CTR	2	360	30	1319	MT2	3	1 1/4"	5P 8823	3K 9770	106,8
	3G 6395	001-000-92	8	End Bit STD-R/LH	2	510	35	200	MT2	3	1 1/4"	5P 8823	3K 9770	26,8
	100-4046	001-001-80	1	Bolt-on Edge STD-CTR HD	2	406	35	1319	MT2	3	1 1/4"	5P 8823	3K 9770	140,6
	100-4044	001-001-76	8	End Bit STD-R/LH HD	2	556	40	200	MT2	3	1 1/4"	5P 8823	3K 9770	33,4
	9W 3477	001-002-09	18	Bolt-on Edge AFM-RH	1	280	32	1319	MT2	3	1 1/4"	5P 8823	3K 9770	92,0
	9W 3478	001-002-10	18	Bolt-on Edge AFM-LH	1	280	32	1319	MT2	3	1 1/4"	5P 8823	3K 9770	92,0
	123-0336	001-002-95	13	End Bit AFM-RH	1	380	35	200	MT2	3	1 1/4"	5P 8823	3K 9770	21,0
	123-0337	001-002-96	12	End Bit AFM-LH	1	380	35	200	MT2	3	1 1/4"	5P 8823	3K 9770	21,0
	9V 6573	001-P02-11	13	Base Edge STR-STD	1	280	32	2735	MT2	30	1"	.	.	183,8
	8E 5300	.	.	Corner Two-Bolt RH	1	.	.	.	.	.	.	.	.	.
	8E 5301	.	.	Corner Two-Bolt LH	1	.	.	.	.	.	.	.	.	.
	1U 0601	001-000-14	1	Bolt-on Edge STD-CTR	2	360	30	1210	MT2	3	1"	4F 4042	2J 3507	98,0
	4T 8101	001-000-94	8	End Bit STD-R/LH	2	496	30	170	MT2	3	1"	4F 4042	2J 3507	19,0
	132-1034	001-004-02	1	Bolt-on Edge STD-CTR HD	2	360	35	1210	MT2	3	1"	4F 4042	2J 3507	114,3
	132-1033	001-003-11	8	End Bit STD-R/LH HD	2	496	35	170	MT2	3	1"	4F 4042	2J 3507	22,1
	9W 3492	001-002-24	18	Bolt-on Edge AFM-RH/CTR	1	250	30	1210	MT2	3	1"	4F 4042	2J 3507	71,1
	9W 3493	001-002-25	18	Bolt-on Edge AFM-LH/CTR	1	250	30	1210	MT2	3	1"	4F 4042	2J 3507	71,1
	9W 3488	001-002-20	13	End Bit AFM-RH	1	360	30	170	MT2	3	1"	4F 4042	2J 3507	14,6
	9W 3489	001-002-21	12	End Bit AFM-LH	1	360	30	170	MT2	3	1"	4F 4042	2J 3507	14,6
<b>ROCK BUCKETS</b>	6W 2973	001-P02-45	14	Base Edge SPA-STD	1	493	35	2815	MT3	18	1 1/4"	.	.	255,0
	6W 3468	.	.	Corner RH/LH	2	.	.	.	.	.	.	.	.	.
	7T 5960	001-001-25	5	Bolt-on Edge STD-RH/END	1	360	30	627/537	MT2	4	1 1/4"	8T 9679	3K 9770	43,5
	7T 5963	001-001-28	5	Bolt-on Edge STD-RH/CTR	1	360	30	720/630	MT2	4	1 1/4"	8T 9679	3K 9770	51
	7T 5962	001-001-27	3	Bolt-on Edge STD-CTR	1	360	30	528	MT2	4	1 1/4"	8T 9679	3K 9770	42,8
	7T 5961	001-001-26	4	Bolt-on Edge STD-LH/CTR	1	360	30	720/630	MT2	4	1 1/4"	8T 9679	3K 9770	51
	7T 5964	001-001-29	4	Bolt-on Edge STD-LH/END	1	360	30	627/537	MT2	4	1 1/4"	8T 9679	3K 9770	43,5
	9C 0967	001-P01-95	4	Base Edge SPA-STD	1	493	35	2815	MT3	.	.	.	.	290
	6W 3468	.	.	Corner RH/LH	2	.	.	.	.	.	.	.	.	.
<b>955</b>	5V 7437	001-P01-22	5	Base Edge STR-STD	1	250	25	2248	MT2	16	1"	.	.	105,4
<b>Track</b>	8E 5300	.	.	Corner Two-Bolt RH	1	.	.	.	.	.	.	.	.	.
<b>GEN.PURP. BUCKETS</b>	8E 5301	.	.	Corner Two-Bolt LH	1	.	.	.	.	.	.	.	.	.
	1U 1471	001-000-20	1	Bolt-on Edge STD-R/LH	2	360	30	1121	MT2	4	1"	1J 5607	2J 3507	90,8
	9K 8461	001-P01-21	1	Base Edge STR-STD	1	250	25	2248	MT2	.	.	.	.	105,4
	8K 7525	001-521-X00	6	Corner RH/LH	1	220	40	224	MT2	.	.	.	.	12,0
	8K 7526	001-521-X00	6	Corner RH/LH	1	220	40	224	MT2	.	.	.	.	12,0
	1V 2911*	001-P02-29	13	Base Edge STR-STD	1	280	32	2237	MT2	30	1"	.	.	150,3
	8K 6455	001-519-R00	5	Corner RH	1	213	30	208	MT2	.	.	.	.	7,0
	8K 6456	001-519-L00	5	Corner LH	1	213	30	208	MT2	.	.	.	.	7,0
	1U 1473	001-000-19	1	Bolt-on Edge STD-R/LH	2	360	30	1140	MT2	4	1"	1J 5607	2J 3507	92,3
	6W 2978	001-P02-29	13	Base Edge STR-STD	1	280	32	2237	MT2	30	1"	.	.	150,3
	8E 5300	.	.	Corner Two-Bolt RH	1	.	.	.	.	.	.	.	.	.
	8E 5301	.	.	Corner Two-Bolt LH	1	.	.	.	.	.	.	.	.	.
	5V 1783	001-503-R03	2	Corner One-Bolt RH	1	210	25	207	MT2	1	1 1/2"	.	.	6,0
cont.	5V 1784	001-503-L03	2	Corner One-Bolt LH	1	210	25	207	MT2	1	1 1/2"	.	.	6,0

\*1V 2911 replaced by 6W 2978.

# CATERPILLAR-LOADERS

Base Edges, Bolt-on Edges, End Bits and Segments



**T O U G H  
C O M P O N E N T S**

Tractor Type	O.E.M. Part Number	MTM Part Number	Ref.	Description	No Pcs	Millimeters			Ql. ty.	Nr. H.	FASTENERS			W. Kg.
						W	T	L			Ø	Bolts	Nuts	
<b>955</b>	1U 2410	001-000-34	1	Bolt-on Edge STD-CTR	2	360	30	960	MT2	3	1"	4F 4042	2J 3507	77,8
<b>Track</b>	4T 8101	001-000-94	8	End Bit STD-R/LH	2	496	30	170	MT2	3	1"	4F 4042	2J 3507	19,0
<b>GEN.PURP.</b>	1U 1898**	001-000-91	9	End Bit STD-R/LH-ANG	2	576/496	35	170	MT2	3	1"	4F 4042	2J 3507	24,0
<b>BUCKETS</b>	4T 6692	001-001-31	S1	Segment STD-CTR	7	280	25	195	MT2	2	1"	4F 4042	2J 3507	10,2
	1V 9077	001-P01-19	1	Base Edge STR-STD	1	250	25	2286	MT2	.	.	.	.	107,2
	4V 8667	.	.	Corner RH	1	243	25	159	MT2	.	.	.	.	4,6
	4V 8668	.	.	Corner LH	1	243	25	159	MT2	.	.	.	.	4,6
	5V 7262*	001-P01-23	7	Base Edge STR-STD	1	280	32	2237	MT2	16	1 1/4"	.	.	150,3
	8E 5300	.	.	Corner Two-Bolt RH	1	.	.	.	.	.	.	.	.	.
	8E 5301	.	.	Corner Two-Bolt LH	1	.	.	.	.	.	.	.	.	.
	5V 1783	001-503-R03	2	Corner One-Bolt RH	1	210	25	207	MT2	1	1 1/2"	.	.	6,0
	5V 1784	001-503-L03	2	Corner One-Bolt LH	1	210	25	207	MT2	1	1 1/2"	.	.	6,0
	1U 2410	001-000-34	1	Bolt-on Edge STD-CTR	2	360	30	960	MT2	3	1"	4F 4042	2J 3507	77,8
	4T 8101	001-000-94	8	End Bit STD-R/LH	2	496	30	170	MT2	3	1"	4F 4042	2J 3507	19,0
	1U 1898**	001-000-91	9	End Bit STD-R/LH-ANG	2	576/496	35	170	MT2	3	1"	4F 4042	2J 3507	24,0
	2V 7298*	.	.	Base Edge	1	.	.	.	.	.	.	.	.	.
	8K 6455	001-519-R00	5	Corner RH	1	213	30	208	MT2	.	.	.	.	7,0
	8K 6456	001-519-L00	5	Corner LH	1	213	30	208	MT2	.	.	.	.	7,0
	5V 7263	001-P01-06	7	Base Edge STR-STD	1	280	32	2432	MT2	18	1 1/4"	.	.	163,4
	8E 5300	.	.	Corner Two-Bolt RH	1	.	.	.	.	.	.	.	.	.
	8E 5301	.	.	Corner Two-Bolt LH	1	.	.	.	.	.	.	.	.	.
	5V 1783	001-503-R03	2	Corner One-Bolt RH	1	210	25	207	MT2	1	1 1/2"	.	.	6,0
	5V 1784	001-503-L03	2	Corner One-Bolt LH	1	210	25	207	MT2	1	1 1/2"	.	.	6,0
	1U 2411	001-000-25	1	Bolt-on Edge STD-CTR	2	360	30	1056	MT2	3	1"	4F 4042	2J 3507	85,5
	4T 8101	001-000-94	8	End Bit STD-R/LH	2	496	30	170	MT2	3	1"	4F 4042	2J 3507	19,0
	1U 1898**	001-000-91	9	End Bit STD-R/LH-ANG	2	576/496	35	170	MT2	3	1"	4F 4042	2J 3507	24,0
	9K 0658*	.	.	Base Edge	.	250	25	2280	MT2	.	.	.	.	106,9
	8K 7525	001-521-X00	6	Corner RH/LH	1	220	40	224	MT2	.	.	.	.	12,0
	8K 7526	001-521-X00	6	Corner RH/LH	1	220	40	224	MT2	.	.	.	.	12,0
<b>953</b>	4V 8850	001-P01-24	7	Base Edge STR-STD	1	250	25	2202	MT2	16	1"	.	.	103,2
<b>Track</b>	4V 1544	001-503-R05	2	Corner RH	1	210	25	207	MT2	1	1 1/4"	.	.	6,0
<b>GEN.PURP.</b>	4V 1545	001-503-L05	2	Corner LH	1	210	25	207	MT2	1	1 1/4"	.	.	6,0
<b>BUCKETS</b>	1U 0293	001-000-37	1	Bolt-on Edge STD-CTR	2	280	25	940	MT2	3	1"	1J 5607	2J 3507	49,4
	4T 8091	001-000-93	10	End Bit STD-R/LH	2	342	25	160	MT2	2	1"	1J 5607	2J 3507	10,3
	1U 1896**	001-000-89	11	End Bit STD-R/LH-ANG	2	412/342	30	160	MT2	2	1"	1J 5607	2J 3507	13,5
	9V 6570	001-P02-24	13	Base Edge STR-STD	1	250	25	2202	MT2	28	1"	.	.	103,2
	4V 1544	001-503-R05	2	Corner RH	1	210	25	207	MT2	1	1 1/4"	.	.	6,0
	4V 1545	001-503-L05	2	Corner LH	1	210	25	207	MT2	1	1 1/4"	.	.	6,0
	1U 0293	001-000-37	1	Bolt-on Edge STD-CTR	2	280	25	940	MT2	3	1"	1J 5607	2J 3507	49,4
	4T 8091	001-000-93	10	End Bit STD-R/LH	2	342	25	160	MT2	2	1"	1J 5607	2J 3507	10,3
	1U 1896**	001-000-89	11	End Bit STD-R/LH-ANG	2	412/342	30	160	MT2	2	1"	1J 5607	2J 3507	13,5
	4T 6692	001-001-31	S1	Segment STD-CTR	7	280	25	195	MT2	2	1"	4F 4042	2J 3507	10,2
	132-1035	001-004-00	S1	Segment STD-CTR HD	7	280	32	225	MT2	2	1"	4F 4042	2J 3507	15,1
	1V 9077	001-P01-19	1	Base Edge STR-STD	1	250	25	2286	MT2	.	.	.	.	107,2
	4V 8285	.	.	Corner RH	1	221	25	165	MT2	.	.	.	.	4,1
cont.	4V 8286	.	.	Corner LH	1	221	25	165	MT2	.	.	.	.	4,1

\*5V 7262 replaced by 6W 2978, 2V 7298 replaced by 5V 7263 end 9K 0658 replaced by 6W 2978. \*\* Optional

# CATERPILLAR-LOADERS

Base Edges, Bolt-on Edges, End Bits and Segments



**T O U G H  
COMPONENTS**

Tractor Type	O.E.M. Part Number	MTM Part Number	Ref.	Description	No Pcs	Millimeters			Ql. ty.	Nr. H.	FASTENERS			W. Kg.
						W	T	L			Ø	Bolts	Nuts	
<b>953</b>	9V 6572	001-P01-11	13	Base Edge STR-STD	1	250	25	2370	MT2	28	1"	.	.	111,1
<b>Track</b>	4V 1544	001-503-R05	2	Corner RH	1	210	25	207	MT2	1	1 1/4"	.	.	6,0
GEN.PURP.	4V 1545	001-503-L05	2	Corner LH	1	210	25	207	MT2	1	1 1/4"	.	.	6,0
<b>BUCKETS</b>	1U 0295	001-000-29	1	Bolt-on Edge STD-CTR	2	280	25	1025	MT2	3	1"	1J 5607	2J 3507	53,8
	4T 8091	001-000-93	10	End Bit STD-R/LH	2	342	25	160	MT2	2	1"	1J 5607	2J 3507	10,3
	1U 1896**	001-000-89	11	End Bit STD-R/LH-ANG	2	412/342	30	160	MT2	2	1"	1J 5607	2J 3507	13,5
	9W 3486	001-002-18	18	Bolt-on Edge AFM-RH	1	250	25	1025	MT2	3	1"	1J 5607	2J 3507	50,6
	9W 3487	001-002-19	18	Bolt-on Edge AFM-LH	1	250	25	1025	MT2	3	1"	1J 5607	2J 3507	50,6
	9W 3481	001-002-13	15	End Bit AFM-RH	1	300	25	160	MT2	2	1"	1J 5607	2J 3507	9,8
	9W 3482	001-002-14	14	End Bit AFM-LH	1	300	25	160	MT2	2	1"	1J 5607	2J 3507	9,8
	4T 6694	001-001-33	S1	Segment STD-CTR	7	280	25	225	MT2	2	1"	4F 4042	2J 3507	11,8
	132-1035	001-004-00	S1	Segment STD-CTR HD	7	280	32	225	MT2	2	1"	4F 4042	2J 3507	15,1
	5V 4670	001-P01-13	7	Base Edge STR-STD	1	250	25	2370	MT2	16	1"	.	.	111,1
	5V 1783	001-503-R03	2	Corner One-Bolt RH	1	210	25	207	MT2	1	1 1/2"	.	.	6,0
	5V 1784	001-503-L03	2	Corner One-Bolt LH	1	210	25	207	MT2	1	1 1/2"	.	.	6,0
	1U 0295	001-000-29	1	Bolt-on Edge STD-CTR	2	280	25	1025	MT2	3	1"	1J 5607	2J 3507	53,8
	4T 8091	001-000-93	10	End Bit STD-R/LH	2	342	25	160	MT2	2	1"	1J 5607	2J 3507	10,3
	1U 1896**	001-000-89	11	End Bit STD-R/LH-ANG	2	412/342	30	160	MT2	2	1"	1J 5607	2J 3507	13,5
	9W 3486	001-002-18	18	Bolt-on Edge AFM-RH	1	250	25	1025	MT2	3	1"	1J 5607	2J 3507	50,6
	9W 3487	001-002-19	18	Bolt-on Edge AFM-LH	1	250	25	1025	MT2	3	1"	1J 5607	2J 3507	50,6
	9W 3481	001-002-13	15	End Bit AFM-RH	1	300	25	160	MT2	2	1"	1J 5607	2J 3507	9,8
	9W 3482	001-002-14	14	End Bit AFM-LH	1	300	25	160	MT2	2	1"	1J 5607	2J 3507	9,8
	1V 3916	001-P01-00	1	Base Edge STR-STD	1	250	25	2438	MT2	.	.	.	.	114,3
	4V 8285	.	.	Corner RH	1	221	25	165	MT2	.	.	.	.	4,1
	4V 8286	.	.	Corner LH	1	221	25	165	MT2	.	.	.	.	4,1
<b>953B-C</b>	1V 3916	001-P01-00	1	Base Edge STR-STD	1	250	25	2438	MT2	.	.	.	.	114,3
<b>Track</b>	4V 8285	.	.	Corner RH	1	221	25	165	MT2	.	.	.	.	4,1
GEN.PURP.	4V 8286	.	.	Corner LH	1	221	25	165	MT2	.	.	.	.	4,1
<b>BUCKETS</b>	9V 6572	001-P01-11	13	Base Edge STR-STD	1	250	25	2370	MT2	28	1"	.	.	111,1
	4V 1544	001-503-R05	2	Corner RH	1	210	25	207	MT2	1	1 1/4"	.	.	6,0
	4V 1545	001-503-L05	2	Corner LH	1	210	25	207	MT2	1	1 1/4"	.	.	6,0
	5V 7396	001-503-R04	2	Corner LH (ONE BOLT)	1	210	25	207	MT2	1	.	.	.	6,0
	5V 7395	001-503-L04	2	Corner RH (ONE BOLT)	1	210	25	207	MT2	1	.	.	.	6,0
	1U 0295	001-000-29	1	Bolt-on Edge STD-CTR	2	280	25	1025	MT2	3	1"	1J 5607	2J 3507	53,8
	4T 8091	001-000-93	10	End Bit STD-R/LH	2	342	25	160	MT2	2	1"	1J 5607	2J 3507	10,3
	1U 1896**	001-000-89	11	End Bit STD-R/LH-ANG	2	412/342	30	160	MT2	2	1"	1J 5607	2J 3507	13,5
	9W 3486	001-002-18	18	Bolt-on Edge AFM-RH	1	250	25	1025	MT2	3	1"	1J 5607	2J 3507	50,6
	9W 3487	001-002-19	18	Bolt-on Edge AFM-LH	1	250	25	1025	MT2	3	1"	1J 5607	2J 3507	50,6
	9W 3481	001-002-13	15	End Bit AFM-RH	1	300	25	160	MT2	2	1"	1J 5607	2J 3507	9,8
	9W 3482	001-002-14	14	End Bit AFM-LH	1	300	25	160	MT2	2	1"	1J 5607	2J 3507	9,8
	4T 6694	001-001-33	S1	Segment STD-CTR	7	280	25	225	MT2	2	1"	4F 4042	2J 3507	11,8
	132-1035	001-004-00	S1	Segment STD-CTR HD	7	280	32	225	MT2	2	1"	4F 4042	2J 3507	15,1
<b>951</b>	9K 8471	001-P01-30	1	Base Edge STR-STD	1	250	25	2076	MT2	.	.	.	.	97,3
<b>Track</b>	4V 8285	.	.	Corner RH	1	221	25	165	MT2	.	.	.	.	4,1
GEN.PURP.	4V 8286	.	.	Corner LH	1	221	25	165	MT2	.	.	.	.	4,1
<b>BUCKETS</b>	8K 6452*	001-P01-80	5	Base Edge STR-STD	1	250	25	2076	MT2	16	1"	.	.	97,3
cont.	8K 6455	001-519-R00	5	Corner RH	1	213	30	208	MT2	.	.	.	.	7,0

\* 8K 6452 replaced by 6W 2977. \*\* Optional



# CATERPILLAR-LOADERS

Base Edges, Bolt-on Edges, End Bits and Segments



**T O U G H  
C O M P O N E N T S**

Tractor Type	O.E.M. Part Number	MTM Part Number	Ref.	Description	No Pcs	Millimeters			Ql. ty.	Nr. H.	FASTENERS			W. Kg.
						W	T	L			Ø	Bolts	Nuts	
<b>951</b>	8K 6456	001-519-L00	5	Corner LH	1	213	30	208	MT2	.	.	.	.	7,0
<b>Track</b>	1U 1467	001-000-28	1	Bolt-on Edge STD-CTR	2	280	25	1035	MT2	4	1"	1J 5607	2J 3507	54,3
<b>GEN.PURP. BUCKETS</b>	5V 4670	001-P01-13	7	Base Edge STR-STD	1	250	25	2370	MT2	16	1"	.	.	111,1
	4V 1544	001-503-R05	2	Corner RH	1	210	25	207	MT2	1	1 1/4"	.	.	6,0
	4V 1545	001-503-L05	2	Corner LH	1	210	25	207	MT2	1	1 1/4"	.	.	6,0
	1U 0295	001-000-29	1	Bolt-on Edge STD-CTR	2	280	25	1025	MT2	3	1"	1J 5607	2J 3507	53,8
	4T 8091	001-000-93	10	End Bit STD-R/LH	2	342	25	160	MT2	2	1"	1J 5607	2J 3507	10,3
	1U 1896**	001-000-89	11	End Bit STD-R/LH-ANG	2	412/342	30	160	MT2	2	1"	1J 5607	2J 3507	13,5
	9W 3486	001-002-18	18	Bolt-on Edge AFM-RH	1	250	25	1025	MT2	3	1"	1J 5607	2J 3507	50,6
	9W 3487	001-002-19	18	Bolt-on Edge AFM-LH	1	250	25	1025	MT2	3	1"	1J 5607	2J 3507	50,6
	9W 3481	001-002-13	15	End Bit AFM-RH	1	300	25	160	MT2	2	1"	1J 5607	2J 3507	9,8
	9W 3482	001-002-14	14	End Bit AFM-LH	1	300	25	160	MT2	2	1"	1J 5607	2J 3507	9,8
	9V 6572	001-P01-11	13	Base Edge STR-STD	1	250	25	2370	MT2	28	1"	.	.	111,1
	4V 1544	001-503-R05	2	Corner RH	1	210	25	207	MT2	1	1 1/4"	.	.	6,0
	4V 1545	001-503-L05	2	Corner LH	1	210	25	207	MT2	1	1 1/4"	.	.	6,0
	1U 0295	001-000-29	1	Bolt-on Edge STD-CTR	2	280	25	1025	MT2	3	1"	1J 5607	2J 3507	53,8
	4T 8091	001-000-93	10	End Bit STD-R/LH	2	342	25	160	MT2	2	1"	1J 5607	2J 3507	10,3
	1U 1896**	001-000-89	11	End Bit STD-R/LH-ANG	2	412/342	30	160	MT2	2	1"	1J 5607	2J 3507	13,5
	9W 3486	001-002-18	18	Bolt-on Edge AFM-RH	1	250	25	1025	MT2	3	1"	1J 5607	2J 3507	50,6
	9W 3487	001-002-19	18	Bolt-on Edge AFM-LH	1	250	25	1025	MT2	3	1"	1J 5607	2J 3507	50,6
	9W 3481	001-002-13	15	End Bit AFM-RH	1	300	25	160	MT2	2	1"	1J 5607	2J 3507	9,8
	9W 3482	001-002-14	14	End Bit AFM-LH	1	300	25	160	MT2	2	1"	1J 5607	2J 3507	9,8
	4T 6694	001-001-33	S1	Segment STD-CTR	7	280	25	225	MT2	2	1"	1J 5607	2J 3507	11,8
	132-1035	001-004-00	S1	Segment STD-CTR HD	7	280	32	225	MT2	2	1"	1J 5607	2J 3507	15,1
	6W 2977	001-P02-28	13	Base Edge STR-STD	1	250	25	2018	MT2	28	1"	.	.	94,6
	4V 1544	001-503-R05	2	Corner RH	1	210	25	207	MT2	1	1 1/4"	.	.	6,0
	4V 1545	001-503-L05	2	Corner LH	1	210	25	207	MT2	1	1 1/4"	.	.	6,0
	1U 0605	001-000-41	1	Bolt-on Edge STD-CTR	2	280	25	851	MT2	3	1"	1J 5607	2J 3507	44,7
4T 8091	001-000-93	10	End Bit STD-R/LH	2	342	25	160	MT2	2	1"	1J 5607	2J 3507	10,3	
1U 1896**	001-000-89	11	End Bit STD-R/LH-ANG	2	412/342	30	160	MT2	2	1"	1J 5607	2J 3507	13,5	
4T 6691	001-001-30	S1	Segment STD-CTR	7	280	25	175	MT2	2	1"	4F 4042	2J 3507	9,2	
<b>944/950</b>	8K 8161*	001-P01-69	5	Base Edge STR-STD	1	250	25	2438	MT2	18	1"	.	.	114,3
<b>Wheel</b>	8K 6455	001-519-R00	5	Corner RH	1	213	30	208	MT2	.	.	.	.	7,0
<b>GEN.PURP. BUCKETS</b>	8K 6456	001-519-L00	5	Corner LH	1	213	30	208	MT2	.	.	.	.	7,0
	1U 1465	001-000-44	1	Bolt-on Edge STD-CTR	1	280	25	788	MT2	3	1"	1J 5607	2J 3507	41,4
	1U 1464	001-000-43	1	End-section STD-R/LH	2	280	25	820	MT2	3	1"	1J 5607	2J 3507	43,1
	132-1026	001-004-05	1	Bolt-on Edge STD-CTR HD	1	280	32	788	MT2	3	1"	1J 5607	2J 3507	53,0
	132-1027	001-004-06	1	End-section STD-R/LH HD	2	280	32	820	MT2	3	1"	1J 5607	2J 3507	55,1
	9W 3469	001-002-03	18	Bolt-on Edge AFM-CTR	1	250	25	788	MT2	3	1"	1J 5607	2J 3507	38,9
	9W 3470	001-002-04	18	Bolt-on Edge AFM-RH	1	250	25	820	MT2	3	1"	1J 5607	2J 3507	40,5
	9W 3471	001-002-04	18	Bolt-on Edge AFM-LH	1	250	25	820	MT2	3	1"	1J 5607	2J 3507	40,5
	8K 8162*	001-P01-59	5	Base Edge STR-STD	1	250	25	2673	MT2	20	1"	.	.	125,3
	8K 6455	001-519-R00	5	Corner RH	1	213	30	208	MT2	.	.	.	.	7,0
	8K 6456	001-519-L00	5	Corner LH	1	213	30	208	MT2	.	.	.	.	7,0
	1U 1470	001-000-31	1	Bolt-on Edge STD-CTR	1	360	30	990	MT2	4	1"	1J 5607	2J 3507	80,2
	1U 1469	001-000-42	1	End-section STD-R/LH	2	360	30	842	MT2	3	1"	1J 5607	2J 3507	68,2
	cont.	132-1028	001-004-03	1	Bolt-on Edge STD-CTR HD	1	360	35	990	MT2	4	1"	1J 5607	2J 3507

\*8K 8161 replaced by 6W 2986. \*\* Optional

\*8K 8162 replaced by 6W 2987.

# CATERPILLAR-LOADERS

Base Edges, Bolt-on Edges, End Bits and Segments



**T O U G H  
C O M P O N E N T S**

Tractor Type	O.E.M. Part Number	MTM Part Number	Ref.	Description	No Pcs	Millimeters			Ql. ty.	Nr. H.	FASTENERS			W. Kg.
						W	T	L			Ø	Bolts	Nuts	
944/950 Wheel GEN.PURP. BUCKETS	132-1029	001-004-04	1	End-section STD-R/LH HD	2	360	35	842	MT2	3	1"	1J 5607	2J 3507	79,6
	9W 3466	001-002-00	18	Bolt-on Edge AFM-CTR	1	250	30	990	MT2	4	1"	1J 5607	2J 3507	58,2
	9W 3467	001-002-01	18	Bolt-on Edge AFM-RH	1	250	30	842	MT2	3	1"	1J 5607	2J 3507	49,5
	9W 3468	001-002-01	18	Bolt-on Edge AFM-LH	1	250	30	842	MT2	3	1"	1J 5607	2J 3507	49,5
	1V 3916	001-P01-00	1	Base Edge STR-STD	1	250	25	2438	MT2	.	.	.	.	114,3
	8K 6455	001-519-R00	5	Corner RH	1	213	30	208	MT2	.	.	.	.	7,0
	8K 6456	001-519-L00	5	Corner LH	1	213	30	208	MT2	.	.	.	.	7,0
	1V 3915	001-P00-83	1	Base Edge STR-STD	1	250	25	2686	MT2	.	.	.	.	125,9
	8K 6455	001-519-R00	5	Corner RH	1	213	30	208	MT2	.	.	.	.	7,0
	8K 6456	001-519-L00	5	Corner LH	1	213	30	208	MT2	.	.	.	.	7,0
	5V 7277*	001-P01-08	7	Base Edge STR-STD	1	250	25	2411	MT2	20	1"	.	.	113,0
	8E 5302	.	.	Corner LH	.	.	.	.	.	.	.	.	.	.
	8E 5303	.	.	Corner RH	.	.	.	.	.	.	.	.	.	.
	1U 2414	001-000-26	1	Bolt-on Edge STD-CTR	2	360	30	1044	MT2	3	1"	4F 4042	2J 3507	84,6
	4T 8101	001-000-94	8	End Bit STD-R/LH	2	496	30	170	MT2	3	1"	4F 4042	2J 3507	19,0
	1U 1898**	001-000-91	9	End Bit STD-R/LH-ANG	2	576/496	35	170	MT2	3	1"	1J 5607	2J 3507	24,0
	6W 2987	001-P02-38	13	Base Edge STR-STD	1	250	25	2615	MT2	30	1"	.	.	122,6
	5V 7396	001-503-R04	2	Corner LH (ONE BOLT)	1	210	25	207	MT2	1	.	.	.	6,0
	5V 7395	001-503-L04	2	Corner RH (ONE BOLT)	1	210	25	207	MT2	1	.	.	.	6,0
	8E 5302	.	.	Corner LH (TWO BOLT)	.	.	.	.	.	.	.	.	.	.
	8E 5303	.	.	Corner RH (TWO BOLT)	.	.	.	.	.	.	.	.	.	.
	1U 2412	001-000-17	1	Bolt-on Edge STD-CTR	2	360	30	1148	MT2	3	1"	4F 4042	2J 3507	93,0
	4T 8101	001-000-94	8	End Bit STD-R/LH	2	496	30	170	MT2	3	1"	4F 4042	2J 3507	19,0
	1U 1898**	001-000-91	9	End Bit STD-R/LH-ANG	2	576/496	35	170	MT2	3	1"	4F 4042	2J 3507	24,0
	132-1031	001-004-07	1	Bolt-on Edge STD-CTR HD	2	360	35	1148	MT2	3	1"	4F 4042	2J 3507	93,0
	132-1033	001-003-11	8	End Bit STD-R/LH HD	2	496	35	170	MT2	3	1"	4F 4042	2J 3507	22,1
	9W 3490	001-002-22	18	Bolt-on Edge AFM-RH	1	250	30	1148	MT2	3	1"	4F 4042	2J 3507	67,5
	9W 3491	001-002-23	18	Bolt-on Edge AFM-LH	1	250	30	1148	MT2	3	1"	4F 4042	2J 3507	67,5
	9W 3488	001-002-20	13	End Bit AFM-RH	1	360	30	170	MT2	3	1"	4F 4042	2J 3507	14,6
	9W 3489	001-002-21	12	End Bit AFM-LH	1	360	30	170	MT2	3	1"	4F 4042	2J 3507	14,6
	4T 6694	001-001-33	S1	Segment STD-CTR	5	280	25	225	MT2	2	1"	4F 4042	2J 3507	11,8
	4T 6695	001-001-34	S1	Segment STD-CTR	2	280	25	265	MT2	2	1"	4F 4042	2J 3507	13,9
132-1035	001-004-00	S1	Segment STD-CTR HD	5	280	32	225	MT2	2	1"	4F 4042	2J 3507	15,1	
132-1037	001-004-08	S1	Segment STD-CTR HD	2	280	32	265	MT2	2	1"	4F 4042	2J 3507	17,8	
6W 2986	001-P02-37	13	Base Edge STR-STD	1	250	25	2411	MT2	30	1"	.	.	113,0	
5V 7396	001-503-R04	2	Corner LH (ONE BOLT)	1	210	25	207	MT2	1	.	.	.	6,0	
5V 7395	001-503-L04	2	Corner RH (ONE BOLT)	1	210	25	207	MT2	1	.	.	.	6,0	
8E 5302	.	.	Corner LH (TWO BOLT)	.	.	.	.	.	.	.	.	.	.	
8E 5303	.	.	Corner RH (TWO BOLT)	.	.	.	.	.	.	.	.	.	.	
1U 2414	001-000-26	1	Bolt-on Edge STD-CTR	2	360	30	1044	MT2	3	1"	4F 4042	2J 3507	84,6	
4T 8101	001-000-94	8	End Bit STD-R/LH	2	496	30	170	MT2	3	1"	4F 4042	2J 3507	19,0	
1U 1898**	001-000-91	9	End Bit STD-R/LH-ANG	2	576/496	35	170	MT2	3	1"	4F 4042	2J 3507	24,0	
132-1030	001-004-09	1	Bolt-on Edge STD-CTR HD	2	360	35	1044	MT2	3	1"	4F 4042	2J 3507	98,7	
132-1033	001-003-11	8	End Bit STD-R/LH HD	2	496	35	170	MT2	3	1"	4F 4042	2J 3507	22,1	
4T 6694	001-001-33	S1	Segment STD-CTR	5	280	25	225	MT2	2	1"	4F 4042	2J 3507	11,8	
4T 6693	001-001-32	S1	Segment STD-CTR	2	280	25	210	MT2	2	1"	4F 4042	2J 3507	11,0	
132-1035	001-004-00	S1	Segment STD-CTR HD	5	280	32	225	MT2	2	1"	4F 4042	2J 3507	15,1	
132-1036	001-004-10	S1	Segment STD-CTR HD	2	280	32	210	MT2	2	1"	4F 4042	2J 3507	14,1	

\* 5V 7277 replaced by 6W 2986.\*\* Optional

# CATERPILLAR-LOADERS

Base Edges, Bolt-on Edges, End Bits and Segments



**T O U G H  
C O M P O N E N T S**

Tractor Type	O.E.M. Part Number	MTM Part Number	Ref.	Description	No Pcs	Millimeters			Ql. ty.	Nr. H.	FASTENERS			W. Kg.
						W	T	L			Ø	Bolts	Nuts	
<b>950B</b>	<b>5V 4696</b>	001-P00-78	7	Base Edge STR-STD	1	280	32	2736	MT2	18	1"	.	.	183,9
<b>950E</b>	<b>5V 1783</b>	001-503-R03	2	Corner One-Bolt RH	1	210	25	207	MT2	1	1 1/2"	.	.	6,0
<b>950F</b>	<b>5V 1784</b>	001-503-L03	2	Corner Two-Bolt LH	1	210	25	207	MT2	1	1 1/2"	.	.	6,0
<b>Wheel</b>	<b>1U 0601</b>	001-000-14	1	Bolt-on Edge STD-CTR	2	360	30	1210	MT2	3	1"	4F 4042	2J 3507	98,0
<b>GEN.PURP. BUCKETS</b>	<b>4T 8101</b>	001-000-94	8	End Bit STD-R/LH	2	496	30	170	MT2	3	1"	4F 4042	2J 3507	19,0
	<b>1U 1898**</b>	001-000-91	9	End Bit STD-R/LH-ANG	2	576/496	35	170	MT2	3	1"	4F 4042	2J 3507	24,0
	<b>132-1034</b>	001-004-02	1	Bolt-on Edge STD-CTR HD	2	360	35	1210	MT2	3	1"	4F 4042	2J 3507	114,3
	<b>132-1033</b>	001-003-11	8	End Bit STD-R/LH HD	2	496	35	170	MT2	3	1"	4F 4042	2J 3507	22,1
	<b>9W 3492</b>	001-002-24	18	Bolt-on Edge AFM-RH/CTR	1	250	30	1210	MT2	3	1"	4F 4042	2J 3507	71,1
	<b>9W 3493</b>	001-002-25	18	Bolt-on Edge AFM-LH/CTR	1	250	30	1210	MT2	3	1"	4F 4042	2J 3507	71,1
	<b>9W 3488</b>	001-002-20	13	End Bit AFM-RH	1	360	30	170	MT2	3	1"	4F 4042	2J 3507	14,6
	<b>9W 3489</b>	001-002-21	12	End Bit AFM-LH	1	360	30	170	MT2	3	1"	4F 4042	2J 3507	14,6
	<b>9V 6573</b>	001-P02-11	13	Base Edge STR-STD	1	280	32	2735	MT2	30	1"	.	.	183,8
	<b>5V 1783</b>	001-503-R03	2	Corner One-Bolt RH	1	210	25	207	MT2	1	1 1/2"	.	.	6,0
	<b>5V 1784</b>	001-503-L03	2	Corner Two-Bolt LH	1	210	25	207	MT2	1	1 1/2"	.	.	6,0
	<b>1U 0601</b>	001-000-14	1	Bolt-on Edge STD-CTR	2	360	30	1210	MT2	3	1"	4F 4042	2J 3507	98,0
	<b>4T 8101</b>	001-000-94	8	End Bit STD-R/LH	2	496	30	170	MT2	3	1"	4F 4042	2J 3507	19,0
	<b>1U 1898**</b>	001-000-91	9	End Bit STD-R/LH-ANG	2	576/496	35	170	MT2	3	1"	4F 4042	2J 3507	24,0
	<b>132-1034</b>	001-004-02	1	Bolt-on Edge STD-CTR HD	2	360	35	1210	MT2	3	1"	4F 4042	2J 3507	114,3
	<b>132-1033</b>	001-003-11	8	End Bit STD-R/LH HD	2	496	35	170	MT2	3	1"	4F 4042	2J 3507	22,1
<b>9W 3492</b>	001-002-24	18	Bolt-on Edge AFM-RH/CTR	1	250	30	1210	MT2	3	1"	4F 4042	2J 3507	71,1	
<b>9W 3493</b>	001-002-25	18	Bolt-on Edge AFM-LH/CTR	1	250	30	1210	MT2	3	1"	4F 4042	2J 3507	71,1	
<b>9W 3488</b>	001-002-20	13	End Bit AFM-RH	1	360	30	170	MT2	3	1"	4F 4042	2J 3507	14,6	
<b>9W 3489</b>	001-002-21	12	End Bit AFM-LH	1	360	30	170	MT2	3	1"	4F 4042	2J 3507	14,6	
<b>4T 6695</b>	001-001-34	S1	Segment STD-CTR	7	280	25	265	MT2	2	1"	4F 4042	2J 3507	13,9	
<b>132-1037</b>	001-004-08	S1	Segment STD-CTR HD	7	280	32	265	MT2	2	1"	4F 4042	2J 3507	17,8	
<b>6W 2973</b>	001-P02-45	14	Base Edge SPA-STD	1	493	35	2815	MT3	18	1 1/4"	.	.	255,0	
<b>6W 3468</b>	.	.	Corner RH/LH	2	.	.	.	.	.	.	.	.	.	
<b>7T 5962</b>	001-001-27	3	Bolt-on Edge STD-CTR	1	360	30	528	MT2	4	1 1/4"	8T 9079	3K 9770	42,8	
<b>7T 5963</b>	001-001-28	5	Bolt-on Edge STD-RH/CTR	1	360	30	720/630	MT2	4	1 1/4"	8T 9079	3K 9770	51	
<b>7T 5961</b>	001-001-26	4	Bolt-on Edge STD-LH/CTR	1	360	30	720/630	MT2	4	1 1/4"	8T 9079	3K 9770	51	
<b>7T 5960</b>	001-001-25	5	Bolt-on Edge STD-RH/END	1	360	30	627/537	MT2	4	1 1/4"	8T 9079	3K 9770	43,5	
<b>7T 5964</b>	001-001-29	4	Bolt-on Edge STD-LH/END	1	360	30	627/537	MT2	4	1 1/4"	8T 9079	3K 9770	43,5	
<b>4T 3015</b>	001-001-40	S1	Segment STD-CTR	1	360	30	256	MT2	2	1 1/4"	8T 9079	3K 9770	20,7	
<b>4T 9123</b>	001-001-46	S3	Segment STD-RH	3	360	30	355/265	MT2	2	1 1/4"	8T 9079	3K 9770	21,5	
<b>4T 9124</b>	001-001-47	S2	Segment STD-LH	3	360	30	355/265	MT2	2	1 1/4"	8T 9079	3K 9770	21,5	
<b>132-1038</b>	001-004-11	S1	Segment STD-CTR HD	1	360	35	256	MT2	2	1 1/4"	8T 9079	3K 9770	24,2	
<b>132-1039</b>	001-004-12	S3	Segment STD-RH HD	3	360	35	355/265	MT2	2	1 1/4"	8T 9079	3K 9770	29,1	
<b>132-1040</b>	001-004-13	S2	Segment STD-LH HD	3	360	35	355/265	MT2	2	1 1/4"	8T 9079	3K 9770	29,1	
<b>9C 0967</b>	001-P01-95	4	Base Edge SPA-STD	1	493	35	2815	MT3	.	.	.	.	290,0	
<b>6W 3468</b>	.	.	Corner RH/LH	2	.	.	.	.	.	.	.	.	.	
<b>6W 4598</b>	.	.	Base Edge STR-STD	1	270	32	2825	MT2	.	.	.	.	183,1	
<b>8K 6455</b>	001-519-R00	5	Corner RH	1	213	30	208	MT2	.	.	.	.	7,0	
<b>8K 6456</b>	001-519-L00	5	Corner LH	1	213	30	208	MT2	.	.	.	.	7,0	
<b>950B</b>	<b>5V 7410</b>	001-P00-75	7	Base Edge STR-STD	1	250	25	2744	MT2	12	1"	.	.	128,6
<b>950E</b>	<b>8K 6455</b>	001-519-R00	5	Corner RH	1	213	30	208	MT2	.	.	.	.	7,0
<b>Wheel</b>	<b>8K 6456</b>	001-519-L00	5	Corner LH	1	213	30	208	MT2	.	.	.	.	7,0

\*\* Optional

# CATERPILLAR-LOADERS

Base Edges, Bolt-on Edges, End Bits and Segments



**T O U G H  
C O M P O N E N T S**

Tractor Type	O.E.M. Part Number	MTM Part Number	Ref.	Description	No Pcs	Millimeters			Ql. ty.	Nr. H.	FASTENERS			W. Kg.
						W	T	L			Ø	Bolts	Nuts	
<b>950B</b>	1U 0601	001-000-14	1	Bolt-on Edge STD-CTR	2	360	30	1210	MT2	3	1"	4F 4042	2J 3507	98,0
<b>950E</b>	4T 8101	001-000-94	8	End Bit STD-R/LH	2	496	30	170	MT2	3	1"	4F 4042	2J 3507	19,0
<b>Wheel</b>	1U 1898**	001-000-91	9	End Bit STD-R/LH-ANG	2	576/496	35	170	MT2	3	1"	4F 4042	2J 3507	24,0
<b>GEN.PURP. BUCKETS</b>	132-1034	001-004-02	1	Bolt-on Edge STD-CTR HD	2	360	35	1210	MT2	3	1"	4F 4042	2J 3507	114,3
	132-1033	001-003-11	8	End Bit STD-R/LH HD	2	496	35	170	MT2	3	1"	4F 4042	2J 3507	22,1
	9W 3492	001-002-24	18	Bolt-on Edge AFM-RH/CTR	1	250	30	1210	MT2	3	1"	4F 4042	2J 3507	71,1
	9W 3493	001-002-25	18	Bolt-on Edge AFM-LH/CTR	1	250	30	1210	MT2	3	1"	4F 4042	2J 3507	71,1
	9W 3488	001-002-20	13	End Bit AFM-RH	1	360	30	170	MT2	3	1"	4F 4042	2J 3507	14,6
	9W 3489	001-002-21	12	End Bit AFM-LH	1	360	30	170	MT2	3	1"	4F 4042	2J 3507	14,6
<b>950F/II</b>	9V 6573	001-P02-11	13	Base Edge STR-STD	1	280	32	2735	MT2	30	1"	.	.	183,8
<b>Wheel</b>	8E 5300	.	.	Corner Two-Bolt RH	1	.	.	.	.	.	.	.	.	.
<b>GEN.PURP. BUCKETS</b>	8E 5301	.	.	Corner Two-Bolt LH	1	.	.	.	.	.	.	.	.	.
	1U 0601	001-000-14	1	Bolt-on Edge STD-CTR	2	360	30	1210	MT2	3	1"	4F 4042	2J 3507	98,0
	4T 8101	001-000-94	8	End Bit STD-R/LH	2	496	30	170	MT2	3	1"	4F 4042	2J 3507	19,0
	1U 1898**	001-000-91	9	End Bit STD-R/LH-ANG	2	576/496	35	170	MT2	3	1"	4F 4042	2J 3507	24,0
	132-1034	001-004-02	1	Bolt-on Edge STD-CTR HD	2	360	35	1210	MT2	3	1"	4F 4042	2J 3507	114,3
	132-1033	001-003-11	8	End Bit STD-R/LH HD	2	496	35	170	MT2	3	1"	4F 4042	2J 3507	22,1
	9W 3492	001-002-24	18	Bolt-on Edge AFM-RH/CTR	1	250	30	1210	MT2	3	1"	4F 4042	2J 3507	71,1
	9W 3493	001-002-25	18	Bolt-on Edge AFM-LH/CTR	1	250	30	1210	MT2	3	1"	4F 4042	2J 3507	71,1
	9W 3488	001-002-20	13	End Bit AFM-RH	1	360	30	170	MT2	3	1"	4F 4042	2J 3507	14,6
	9W 3489	001-002-21	12	End Bit AFM-LH	1	360	30	170	MT2	3	1"	4F 4042	2J 3507	14,6
	4T 6695	001-001-34	S1	Segment STD-CTR	7	280	25	265	MT2	2	1"	4F 4042	2J 3507	13,9
132-1037	001-004-08	S1	Segment STD-CTR HD	7	280	32	265	MT2	2	1"	4F 4042	2J 3507	17,8	
<b>950G</b>	141-4847	.	.	Base Edge STR-STD	1	270	32	2886	MT2	.	.	.	.	187,0
<b>Wheel</b>	8E 5300	.	.	Corner Two-Bolt RH	1	.	.	.	.	.	.	.	.	.
<b>GEN.PURP. BUCKETS</b>	8E 5301	.	.	Corner Two-Bolt LH	1	.	.	.	.	.	.	.	.	.
	139-9230	001-003-12	1	Bolt-on Edge STD-CTR	2	360	30	1280	MT2	3	1"	4F 4042	2J 3507	103,7
	4T 8101	001-000-94	8	End Bit STD-R/LH	2	496	30	170	MT2	3	1"	4F 4042	2J 3507	19,0
	1U 1898**	001-000-91	9	End Bit STD-R/LH-ANG	2	576/496	35	170	MT2	3	1"	4F 4042	2J 3507	24,0
	135-9666	.	.	Bolt-on Edge STD-CTR HD	2	.	35	.	.	.	1"	4F 4042	2J 3507	.
	132-1033	001-003-11	8	End Bit STD-R/LH HD	2	496	35	170	MT2	3	1"	4F 4042	2J 3507	22,1
	138-0672	.	18	Bolt-on Edge AFM-RH/CTR	1	.	.	.	MT2	3	1"	4F 4042	2J 3507	.
	138-0673	.	18	Bolt-on Edge AFM-LH/CTR	1	.	.	.	MT2	3	1"	4F 4042	2J 3507	.
	9W 3488	001-002-20	13	End Bit AFM-RH	1	360	30	170	MT2	3	1"	4F 4042	2J 3507	14,6
	9W 3489	001-002-21	12	End Bit AFM-LH	1	360	30	170	MT2	3	1"	4F 4042	2J 3507	14,6
	132-4715	001-004-01	S1	Segment STD-CTR HD	7	305	35	278	MT2	2	1"	4F 4042	2J 3507	22,3
	141-8823	.	14	Base Edge SPA-STD	1	493	35	2969	MT3	.	.	.	.	277,0
	6W 3468	.	.	Corner RH/LH	2	.	.	.	.	.	.	.	.	.
	132-1089	.	3	Bolt-on Edge STD-CTR	1	.	.	.	MT2	4	1 1/4"	8T 9079	3K 9770	44,0
	7T 5963	001-001-28	5	Bolt-on Edge STD-RH/CTR	1	360	30	720/630	MT2	4	1 1/4"	8T 9079	3K 9770	51,0
	7T 5961	001-001-26	4	Bolt-on Edge STD-LH/CTR	1	360	30	720/630	MT2	4	1 1/4"	8T 9079	3K 9770	51,0
	109-9017	.	5	Bolt-on Edge STD-RH/END	1	.	.	.	MT2	4	1 1/4"	8T 9079	3K 9770	41,0
109-9016	.	4	Bolt-on Edge STD-LH/END	1	.	.	.	MT2	4	1 1/4"	8T 9079	3K 9770	41,0	
142-9406	.	4	Base Edge SPA-STD	1	493	35	2969	MT3	.	.	.	.	.	
6W 3468	.	.	Corner RH/LH	2	.	.	.	.	.	.	.	.	.	
<b>950</b>	8K 8162*	001-P01-59	5	Base Edge STR-STD	1	250	25	2673	MT2	20	1"	.	.	125,3
<b>Wheel</b>	8K 6455	001-519-R00	5	Corner RH	1	213	30	208	MT2	.	.	.	.	7,0

\*8K 8162 replaced by 6W 2987. \*\* Optional

# CATERPILLAR-LOADERS

Base Edges, Bolt-on Edges, End Bits and Segments



**T O U G H  
C O M P O N E N T S**

Tractor Type	O.E.M.Part Number	MTM Part Number	Ref.	Description	No Pcs	Millimeters			Ql. ty.	Nr. H.	FASTENERS			W. Kg.
						W	T	L			Ø	Bolts	Nuts	
<b>950</b>	8K 6456	001-519-L00	5	Corner LH	1	213	30	208	MT2	.	.	.	.	7,0
<b>Wheel</b>	1U 1470	001-000-31	1	Bolt-on Edge STD-CTR	1	360	30	990	MT2	4	1"	1J 5607	2J 3507	80,2
<b>GEN.PURP.</b>	1U 1469	001-000-42	1	End-section STD-R/LH	2	360	30	842	MT2	3	1"	1J 5607	2J 3507	68,2
<b>BUCKETS</b>	132-1031	001-004-07	1	Bolt-on Edge STD-CTR HD	1	360	35	1148	MT2	3	1"	1J 5607	2J 3507	108,5
	132-1033	001-003-11	8	End Bit STD-R/LH HD	2	496	35	170	MT2	3	1"	1J 5607	2J 3507	22,1
	9W 3466	001-002-00	18	Bolt-on Edge AFM-CTR	1	250	30	990	MT2	4	1"	1J 5607	2J 3507	58,2
	9W 3467	001-002-01	18	Bolt-on Edge AFM-RH	1	250	30	842	MT2	3	1"	1J 5607	2J 3507	49,5
	9W 3468	001-002-01	18	Bolt-on Edge AFM-LH	1	250	30	842	MT2	3	1"	1J 5607	2J 3507	49,5
	6W 2987	001-P02-38	13	Base Edge STR-STD	1	250	25	2615	MT2	30	1"	.	.	122,6
	5V 7396	001-503-R04	2	Corner LH (ONE BOLT)	1	210	25	207	MT2	1	.	.	.	6,0
	5V 7395	001-503-L04	2	Corner RH (ONE BOLT)	1	210	25	207	MT2	1	.	.	.	6,0
	8E 5302	.	.	Corner LH (TWO BOLT)	.	.	.	.	.	.	.	.	.	.
	8E 5303	.	.	Corner RH (TWO BOLT)	.	.	.	.	.	.	.	.	.	.
	1U 2412	001-000-17	1	Bolt-on Edge STD-CTR	2	360	30	1148	MT2	3	1"	4F 4042	2J 3507	93,0
	4T 8101	001-000-94	8	End Bit STD-R/LH	2	496	30	170	MT2	3	1"	4F 4042	2J 3507	19,0
	1U 1898**	001-000-91	9	End Bit STD-R/LH-ANG	2	576/496	35	170	MT2	3	1"	4F 4042	2J 3507	24,0
	132-1031	001-004-07	1	Bolt-on Edge STD-CTR HD	2	360	35	1148	MT2	3	1"	4F 4042	2J 3507	93,0
	132-1033	001-003-11	8	End Bit STD-R/LH HD	2	496	35	170	MT2	3	1"	4F 4042	2J 3507	22,1
	9W 3490	001-002-22	18	Bolt-on Edge AFM-RH	1	250	30	1148	MT2	3	1"	4F 4042	2J 3507	67,5
	9W 3491	001-002-23	18	Bolt-on Edge AFM-LH	1	250	30	1148	MT2	3	1"	4F 4042	2J 3507	67,5
	9W 3488	001-002-20	13	End Bit AFM-RH	1	360	30	170	MT2	3	1"	4F 4042	2J 3507	14,6
	9W 3489	001-002-21	12	End Bit AFM-LH	1	360	30	170	MT2	3	1"	4F 4042	2J 3507	14,6
	4T 6694	001-001-33	S1	Segment STD-CTR	5	280	25	225	MT2	2	1"	4F 4042	2J 3507	11,8
	4T 6695	001-001-34	S1	Segment STD-CTR	2	280	25	265	MT2	2	1"	4F 4042	2J 3507	13,9
	132-1035	001-004-00	S1	Segment STD-CTR HD	5	280	32	225	MT2	2	1"	4F 4042	2J 3507	15,1
	132-1037	001-004-08	S1	Segment STD-CTR HD	2	280	32	265	MT2	2	1"	4F 4042	2J 3507	17,8
	6W 2988	001-P02-39	13	Base Edge STR-STD	1	250	25	2640	MT2	30	1"	.	.	123,8
	5V 7396	001-503-R04	2	Corner LH (ONE BOLT)	1	210	25	207	MT2	1	.	.	.	6,0
	5V 7395	001-503-L04	2	Corner RH (ONE BOLT)	1	210	25	207	MT2	1	.	.	.	6,0
	8E 5302	.	.	Corner LH (TWO BOLT)	.	.	.	.	.	.	.	.	.	.
	8E 5303	.	.	Corner RH (TWO BOLT)	.	.	.	.	.	.	.	.	.	.
	1U 2413	001-000-16	1	Bolt-on Edge STD-CTR	2	360	30	1162	MT2	3	1"	4F 4042	2J 3507	94,1
	4T 8101	001-000-94	8	End Bit STD-R/LH	2	496	30	170	MT2	3	1"	4F 4042	2J 3507	19,0
	1U 1898**	001-000-91	9	End Bit STD-R/LH-ANG	2	576/496	35	170	MT2	3	1"	4F 4042	2J 3507	24,0
	132-1032	001-004-14	1	Bolt-on Edge STD-CTR HD	2	360	35	1162	MT2	3	1"	4F 4042	2J 3507	109,8
	132-1033	001-003-11	8	End Bit STD-R/LH HD	2	496	35	170	MT2	3	1"	4F 4042	2J 3507	22,1
	4T 6694	001-001-33	S1	Segment STD-CTR	5	280	25	225	MT2	2	1"	4F 4042	2J 3507	11,8
	4T 6693	001-001-32	S1	Segment STD-CTR	2	280	25	210	MT2	2	1"	4F 4042	2J 3507	11,0
	132-1035	001-004-00	S1	Segment STD-CTR HD	5	280	32	225	MT2	2	1"	4F 4042	2J 3507	15,1
	132-1037	001-004-08	S1	Segment STD-CTR HD	2	280	32	265	MT2	2	1"	4F 4042	2J 3507	17,8
	9K 4864*	.	.	Base Edge STR-STD	1	250	25	3086	MT2	.	.	.	.	144,7
	8K 6455	001-519-R00	5	Corner RH	1	213	30	208	MT2	.	.	.	.	7,0
	8K 6456	001-519-L00	5	Corner LH	1	213	30	208	MT2	.	.	.	.	7,0
<b>944</b>	5V 7423	001-P01-69	5	Base Edge STR-STD	1	250	25	2438	MT2	18	1"	.	.	114,3
<b>Wheel</b>	.	.	.	Corner RH	1	.	.	.	.	.	.	.	.	.
<b>GEN.PURP.</b>	.	.	.	Corner LH	1	.	.	.	.	.	.	.	.	.
<b>BUCKETS</b>	1U 1465	001-000-44	1	Bolt-on Edge STD-CTR	2	280	25	788	MT2	3	1"	1J 5607	2J 3507	41,4
<b>cont.</b>	1U 1464	001-000-43	1	End-section STD-R/LH	2	280	25	820	MT2	3	1"	1J 5607	2J 3507	43,1

\* 9K 4864 replaced by 5V 7416. \*\* Optional

# CATERPILLAR-LOADERS

Base Edges, Bolt-on Edges, End Bits and Segments



**T O U G H  
C O M P O N E N T S**

Tractor Type	O.E.M. Part Number	MTM Part Number	Ref.	Description	No Pcs	Millimeters			Ql. ty.	Nr. H.	FASTENERS			W. Kg.
						W	T	L			Ø	Bolts	Nuts	
<b>944</b>	5V 7276*	001-P00-89	7	Base Edge STR-STD	1	250	25	2615	MT2	18	1"	.	.	122,6
<b>Wheel</b>	5V 7396	001-503-R04	2	Corner LH (ONE BOLT)	1	210	25	207	MT2	1	.	.	.	6,0
<b>GEN.PURP. BUCKETS</b>	5V 7395	001-503-L04	2	Corner RH (ONE BOLT)	1	210	25	207	MT2	1	.	.	.	6,0
	1U 2412	001-O00-17	1	Bolt-on Edge STD-CTR	2	360	30	1148	MT2	3	1"	4F 4042	2J 3507	93,0
	4T 8101	001-O00-94	8	End Bit STD-R/LH	2	496	30	170	MT2	3	1"	4F 4042	2J 3507	19,0
	6W 2987	001-P02-38	13	Base Edge STR-STD	1	250	25	2615	MT2	30	1"	.	.	122,6
	5V 7396	001-503-R04	2	Corner LH (ONE BOLT)	1	210	25	207	MT2	1	.	.	.	6,0
	5V 7395	001-503-L04	2	Corner RH (ONE BOLT)	1	210	25	207	MT2	1	.	.	.	6,0
	1U 2412	001-O00-17	1	Bolt-on Edge STD-CTR	2	360	30	1148	MT2	3	1"	4F 4042	2J 3507	93,0
	4T 8101	001-O00-94	8	End Bit STD-R/LH	2	496	30	170	MT2	3	1"	4F 4042	2J 3507	19,0
	4T 6694	001-O01-33	S1	Segment STD-CTR	5	280	25	225	MT2	2	1"	4F 4042	2J 3507	11,8
	4T 6695	001-O01-34	S1	Segment STD-CTR	2	280	25	265	MT2	2	1"	4F 4042	2J 3507	13,9
<b>943</b>	4V 8335	001-P01-29	7	Base Edge STR-STD	1	250	25	2078	MT2	16	1"	.	.	97,4
<b>Track</b>	4V 1544	001-503-R05	2	Corner RH	1	210	25	207	MT2	1	1 1/4"	.	.	6,0
<b>GEN.PURP. BUCKETS</b>	4V 1545	001-503-L05	2	Corner LH	1	210	25	207	MT2	1	1 1/4"	.	.	6,0
	1U 0294	001-O00-38	1	Bolt-on Edge STD-CTR	2	280	25	878	MT2	3	1"	1J 5607	2J 3507	46,1
	4T 8091	001-O00-93	10	End Bit STD-R/LH	2	342	25	160	MT2	2	1"	1J 5607	2J 3507	10,3
	1U 1896**	001-O00-89	11	End Bit STD-R/LH-ANG	2	412/342	30	160	MT2	2	1"	1J 5607	2J 3507	13,5
	9V 5110	001-P00-10	1	Base Edge STR-STD	1	250	25	2079	MT2	.	.	.	.	97,5
	4V 8285	.	.	Corner RH	1	221	25	165	MT2	.	.	.	.	4,1
	4V 8286	.	.	Corner LH	1	221	25	165	MT2	.	.	.	.	4,1
	9V 6570	001-P02-24	13	Base Edge STR-STD	1	250	25	2202	MT2	28	1"	.	.	103,2
	4V 1544	001-503-R05	2	Corner RH	1	210	25	207	MT2	1	1 1/4"	.	.	6,0
	4V 1545	001-503-L05	2	Corner LH	1	210	25	207	MT2	1	1 1/4"	.	.	6,0
	1U 0293	001-O00-37	1	Bolt-on Edge STD-CTR	2	280	25	940	MT2	3	1"	1J 5607	2J 3507	49,4
	4T 8091	001-O00-93	10	End Bit STD-R/LH	2	342	25	160	MT2	2	1"	1J 5607	2J 3507	10,3
	1U 1896**	001-O00-89	11	End Bit STD-R/LH-ANG	2	412/342	30	160	MT2	2	1"	1J 5607	2J 3507	13,5
	4T 6692	001-O01-31	S1	Segment STD-CTR	7	280	25	195	MT2	2	1"	4F 4042	2J 3507	10,2
	4V 8850	001-P01-24	7	Base Edge STR-STD	1	250	25	2202	MT2	16	1"	.	.	103,2
	4V 1544	001-503-R05	2	Corner RH	1	210	25	207	MT2	1	1 1/4"	.	.	6,0
	4V 1545	001-503-L05	2	Corner LH	1	210	25	207	MT2	1	1 1/4"	.	.	6,0
	1U 0293	001-O00-37	1	Bolt-on Edge STD-CTR	2	280	25	940	MT2	3	1"	1J 5607	2J 3507	49,4
	4T 8091	001-O00-93	10	End Bit STD-R/LH	2	342	25	160	MT2	2	1"	1J 5607	2J 3507	10,3
	1U 1896**	001-O00-89	11	End Bit STD-R/LH-ANG	2	412/342	30	160	MT2	2	1"	1J 5607	2J 3507	13,5
	1V 9077	001-P01-19	1	Base Edge STR-STD	1	250	25	2286	MT2	.	.	.	.	107,2
	4V 8285	.	.	Corner RH	1	221	25	165	MT2	.	.	.	.	4,1
	4V 8286	.	.	Corner LH	1	221	25	165	MT2	.	.	.	.	4,1
	8V 7453	001-P02-21	7	Base Edge STR-STD	1	250	25	2248	MT2	16	1"	.	.	105,4
	4V 1544	001-503-R05	2	Corner RH	1	210	25	207	MT2	1	1 1/4"	.	.	6,0
	4V 1545	001-503-L05	2	Corner LH	1	210	25	207	MT2	1	1 1/4"	.	.	6,0
	4T 9563	001-O00-98	1	Bolt-on Edge STD-CTR	2	280	25	967	MT2	3	1"	1J 5607	2J 3507	50,8
	4T 8091	001-O00-93	10	End Bit STD-R/LH	2	342	25	160	MT2	2	1"	1J 5607	2J 3507	10,3
	1U 1896**	001-O00-89	11	End Bit STD-R/LH-ANG	2	412/342	30	160	MT2	2	1"	1J 5607	2J 3507	13,5
	9V 6571	001-P02-12	13	Base Edge STR-STD	1	250	25	2078	MT2	28	1"	.	.	97,4
	4V 1544	001-503-R05	2	Corner RH	1	210	25	207	MT2	1	1 1/4"	.	.	6,0
	4V 1545	001-503-L05	2	Corner LH	1	210	25	207	MT2	1	1 1/4"	.	.	6,0
cont.	1U 0294	001-O00-38	1	Bolt-on Edge STD-CTR	2	280	25	878	MT2	3	1"	1J 5607	2J 3507	46,1

\* 5V 7276 replaced by 6W 2987. \*\* Optional

# CATERPILLAR-LOADERS

Base Edges, Bolt-on Edges, End Bits and Segments



**T O U G H  
C O M P O N E N T S**

Tractor Type	O.E.M. Part Number	MTM Part Number	Ref.	Description	No Pcs	Millimeters			Ql. ty.	Nr. H.	FASTENERS			W. Kg.
						W	T	L			Ø	Bolts	Nuts	
<b>943</b>	4T 8091	001-000-93	10	End Bit STD-R/LH	2	342	25	160	MT2	2	1"	1J 5607	2J 3507	10,3
<b>Track</b>	1U 1896**	001-000-89	11	End Bit STD-R/LH-ANG	2	412/342	30	160	MT2	2	1"	1J 5607	2J 3507	13,5
<b>GEN.PURP. BUCKETS</b>	4T 6691	001-001-30	S1	Segment STD-CTR	7	280	25	175	MT2	2	1"	4F 4042	2J 3507	9,2
	6W 2976	001-P02-12	13	Base Edge STR-STD	1	250	25	2248	MT2	28	1"	.	.	105,4
	4V 1544	001-503-R05	2	Corner RH	1	210	25	207	MT2	1	1 1/4"	.	.	6,0
	4V 1545	001-503-L05	2	Corner LH	1	210	25	207	MT2	1	1 1/4"	.	.	6,0
	4T 9563	001-000-98	1	Bolt-on Edge STD-CTR	2	280	25	967	MT2	3	1"	1J 5607	2J 3507	50,8
	4T 8091	001-000-93	10	End Bit STD-R/LH	2	342	25	160	MT2	2	1"	1J 5607	2J 3507	10,3
	1U 1896**	001-000-89	11	End Bit STD-R/LH-ANG	2	412/342	30	160	MT2	2	1"	1J 5607	2J 3507	13,5
	4T 6692	001-001-31	S1	Segment STD-CTR	5	280	25	195	MT2	2	1"	4F 4042	2J 3507	10,2
	4T 6695	001-001-34	S1	Segment STD-CTR	2	280	25	265	MT2	2	1"	4F 4042	2J 3507	13,9
<b>941</b>	9K 6352	001-P01-32	7	Base Edge STR-STD	1	250	25	2038	MT2	.	.	.	.	95,5
<b>Track</b>	.	.	.	Corner RH	1	.	.	.	.	.	.	.	.	.
<b>GEN.PURP. BUCKETS</b>	.	.	.	Corner LH	1	.	.	.	.	.	.	.	.	.
	1U 1467	001-000-28	1	Bolt-on Edge STD-CTR	2	280	25	1035	MT2	4	1"	1J 5607	2J 3507	54,3
	8K 6452*	001-P02-28	13	Base Edge STR-STD	1	250	25	2018	MT2	28	1"	.	.	94,6
	8K 6455	001-519-R00	5	Corner RH	1	213	30	208	MT2	.	.	.	.	7,0
	8K 6456	001-519-L00	5	Corner LH	1	213	30	208	MT2	.	.	.	.	7,0
	1U 1467	001-000-28	1	Bolt-on Edge STD-CTR	2	280	25	1035	MT2	4	1"	1J 5607	2J 3507	54,3
	7K 6108	.	.	Base Edge	1	200	20	2387	.	.	.	.	.	72,0
	4K 6103	.	.	Corner RH	1	.	.	.	.	.	.	.	.	.
	4K 6104	.	.	Corner LH	1	.	.	.	.	.	.	.	.	.
	9K 8471	001-P01-30	1	Base Edge	1	250	25	2076	MT2	.	.	.	.	97,3
	4V 8285	.	.	Corner RH	1	221	25	165	MT2	.	.	.	.	4,1
	4V 8286	.	.	Corner LH	1	221	25	165	MT2	.	.	.	.	4,1
	2V 6930*	.	.	Base Edge STR-STD	1	.	.	.	.	.	.	.	.	.
	8K 6455	001-519-R00	5	Corner RH	1	213	30	208	MT2	.	.	.	.	7,0
	8K 6456	001-519-L00	5	Corner LH	1	213	30	208	MT2	.	.	.	.	7,0
	2V 6930*	.	.	Base Edge STR-STD	1	.	.	.	.	.	.	.	.	.
	8K 6455	001-519-R00	5	Corner RH	1	213	30	208	MT2	.	.	.	.	7,0
	8K 6456	001-519-L00	5	Corner LH	1	213	30	208	MT2	.	.	.	.	7,0
	1U 0605	001-000-41	1	Bolt-on Edge STD-CTR	2	280	25	851	MT2	3	1"	1J 5607	2J 3507	44,7
	4T 8091	001-000-93	10	End Bit STD-R/LH	2	342	25	160	MT2	2	1"	1J 5607	2J 3507	10,3
	5V 4673*	001-P01-33	7	Base Edge STR-STD	1	250	25	2022	MT2	16	1"	.	.	94,8
	4V 1544	001-503-R05	2	Corner RH	1	210	25	207	MT2	1	1 1/4"	.	.	6,0
	4V 1545	001-503-L05	2	Corner LH	1	210	25	207	MT2	1	1 1/4"	.	.	6,0
	1U 0605	001-000-41	1	Bolt-on Edge STD-CTR	2	280	25	851	MT2	3	1"	1J 5607	2J 3507	44,7
	4T 8091	001-000-93	10	End Bit STD-R/LH	2	342	25	160	MT2	2	1"	1J 5607	2J 3507	10,3
	1U 1896**	001-000-89	11	End Bit STD-R/LH-ANG	2	412/342	30	160	MT2	2	1"	1J 5607	2J 3507	13,5
	5V 4670	001-P01-13	7	Base Edge STR-STD	1	250	25	2370	MT2	16	1"	.	.	111,1
	4V 1544	001-503-R05	2	Corner RH	1	210	25	207	MT2	1	1 1/4"	.	.	6,0
	4V 1545	001-503-L05	2	Corner LH	1	210	25	207	MT2	1	1 1/4"	.	.	6,0
	1U 0295	001-000-29	1	Bolt-on Edge STD-CTR	2	280	25	1025	MT2	3	1"	1J 5607	2J 3507	53,8
	4T 8091	001-000-93	10	End Bit STD-R/LH	2	342	25	160	MT2	2	1"	1J 5607	2J 3507	10,3
	1U 1896**	001-000-89	11	End Bit STD-R/LH-ANG	2	412/342	30	160	MT2	2	1"	1J 5607	2J 3507	13,5
	9W 3486	001-002-18	18	Bolt-on Edge AFM-RH	1	250	25	1025	MT2	3	1"	1J 5607	2J 3507	50,6
cont.	9W 3487	001-002-19	18	Bolt-on Edge AFM-LH	1	250	25	1025	MT2	3	1"	1J 5607	2J 3507	50,6

\*8K 6452 end 5V 4673 replaced by 6W 2977, 2V 6930 replaced by 5V 4670.\*\* Optional

# CATERPILLAR-LOADERS

Base Edges, Bolt-on Edges, End Bits and Segments



**T O U G H  
C O M P O N E N T S**

Tractor Type	O.E.M.Part Number	MTM Part Number	Ref.	Description	No Pcs	Millimeters			Ql. ty.	Nr. H.	FASTENERS			W. Kg.
						W	T	L			Ø	Bolts	Nuts	
<b>941</b>	9W 3481	001-002-13	15	End Bit AFM-RH	1	300	25	160	MT2	2	1"	1J 5607	2J 3507	9,8
<b>Track</b>	9W 3482	001-002-14	14	End Bit AFM-LH	1	300	25	160	MT2	2	1"	1J 5607	2J 3507	9,8
<b>GEN.PURP. BUCKETS</b>	9V 6572	001-P01-11	13	Base Edge STR-STD	1	250	25	2370	MT2	28	1"	.	.	111,1
	4V 1544	001-503-R05	2	Corner RH	1	210	25	207	MT2	1	1 1/4"	.	.	6,0
	4V 1545	001-503-L05	2	Corner LH	1	210	25	207	MT2	1	1 1/4"	.	.	6,0
	1U 0295	001-000-29	1	Bolt-on Edge STD-CTR	2	280	25	1025	MT2	3	1"	1J 5607	2J 3507	53,8
	4T 8091	001-000-93	10	End Bit STD-R/LH	2	342	25	160	MT2	2	1"	1J 5607	2J 3507	10,3
	1U 1896**	001-000-89	11	End Bit STD-R/LH-ANG	2	412/342	30	160	MT2	2	1"	1J 5607	2J 3507	13,5
	9W 3486	001-002-18	18	Bolt-on Edge AFM-RH	1	250	25	1025	MT2	3	1"	1J 5607	2J 3507	50,6
	9W 3487	001-002-19	18	Bolt-on Edge AFM-LH	1	250	25	1025	MT2	3	1"	1J 5607	2J 3507	50,6
	9W 3481	001-002-13	15	End Bit AFM-RH	1	300	25	160	MT2	2	1"	1J 5607	2J 3507	9,8
	9W 3482	001-002-14	14	End Bit AFM-LH	1	300	25	160	MT2	2	1"	1J 5607	2J 3507	9,8
	4T 6694	001-001-33	S1	Segment STD-CTR	7	280	25	225	MT2	2	1"	1J 5607	2J 3507	11,8
	132-1035	001-004-00	S1	Segment STD-CTR HD	7	280	32	225	MT2	2	1"	1J 5607	2J 3507	15,1
	6W 2977	001-P02-28	13	Base Edge STR-STD	1	250	25	2018	MT2	28	1"	.	.	94,6
	4V 1544	001-503-R05	2	Corner RH	1	210	25	207	MT2	1	1 1/4"	.	.	6,0
	4V 1545	001-503-L05	2	Corner LH	1	210	25	207	MT2	1	1 1/4"	.	.	6,0
	1U 0605	001-000-41	1	Bolt-on Edge STD-CTR	2	280	25	851	MT2	3	1"	1J 5607	2J 3507	44,7
	4T 8091	001-000-93	10	End Bit STD-R/LH	2	342	25	160	MT2	2	1"	1J 5607	2J 3507	10,3
	1U 1896**	001-000-89	11	End Bit STD-R/LH-ANG	2	412/342	30	160	MT2	2	1"	1J 5607	2J 3507	13,5
4T 6691	001-001-30	S1	Segment STD-CTR	7	280	25	175	MT2	2	1"	4F 4042	2J 3507	9,2	
<b>939</b>	8Y 8763	.	.	Base Edge STR-STD	1	250	25	2152	MT2	.	.	.	.	100,9
<b>Track</b>	4V 1544	001-503-R05	2	Corner RH	1	210	25	207	MT2	1	1 1/4"	.	.	6,0
<b>GEN.PURP. BUCKETS</b>	4V 1545	001-503-L05	2	Corner LH	1	210	25	207	MT2	1	1 1/4"	.	.	6,0
	100-6359	.	.	Bolt-on Edge STD-CTR	1	.	.	.	.	.	.	1J 5607	2J 3507	43,0
	4T 8091	001-000-93	10	End Bit STD-R/LH	2	342	25	160	MT2	2	1"	1J 5607	2J 3507	10,3
	4T 6692	001-001-31	S1	Segment STD-CTR	7	280	25	195	MT2	2	1"	1J 5607	2J 3507	10,2
	8Y 8763	.	.	Base Edge STR-STD	1	250	25	2152	MT2	.	.	.	.	100,9
	4V 1544	001-503-R05	2	Corner RH	1	210	25	207	MT2	1	1 1/4"	.	.	6,0
	4V 1545	001-503-L05	2	Corner LH	1	210	25	207	MT2	1	1 1/4"	.	.	6,0
	4T 6231	.	.	Bolt-on Edge STD-CTR	2	.	.	.	.	.	.	.	.	.
<b>938F/G</b>	105-2345	001-P02-50	7	Base Edge STR-STD	1	250	25	2681	MT2	16	28,0	.	.	125,7
<b>Wheel</b>	4V 1544	001-503-R05	2	Corner RH	1	210	25	207	MT2	1	1 1/4"	.	.	6,0
<b>GEN.PURP. BUCKETS</b>	4V 1545	001-503-L05	2	Corner LH	1	210	25	207	MT2	1	1 1/4"	.	.	6,0
	107-3746	.	.	Bolt-on Edge STD-CTR	2	.	.	.	.	.	.	1J 5607	2J 3507	57,0
	4T 8091	001-000-93	10	End Bit STD-R/LH	2	342	25	160	MT2	2	1"	1J 5607	2J 3507	10,3
	1U 1896**	001-000-89	11	End Bit STD-R/LH-ANG	2	412/342	30	160	MT2	2	1"	1J 5607	2J 3507	13,5
	107-3298	.	.	Bolt-on Edge AFM-RH	1	.	.	.	.	.	.	1J 5607	2J 3507	53,0
	107-3299	.	.	Bolt-on Edge AFM-LH	1	.	.	.	.	.	.	1J 5607	2J 3507	54,5
	9W 3481	001-002-13	15	End Bit AFM-RH	1	300	25	160	MT2	2	1"	1J 5607	2J 3507	9,8
	9W 3482	001-002-14	14	End Bit AFM-LH	1	300	25	160	MT2	2	1"	1J 5607	2J 3507	9,8
	4T 6695	001-001-34	S1	Segment STD-CTR	7	280	25	265	MT2	2	1"	1J 5607	2J 3507	13,9
	132-1037	001-004-08	S1	Segment STD-CTR HD	7	280	32	265	MT2	2	1"	1J 5607	2J 3507	17,8
	110-4712	.	.	Base Edge STR-STD	1	250	25	2723	MT2	.	.	.	.	127,6
	4V 1544	001-503-R05	2	Corner RH	1	210	25	207	MT2	1	1 1/4"	.	.	6,0
4V 1545	001-503-L05	2	Corner LH	1	210	25	207	MT2	1	1 1/4"	.	.	6,0	

\*\* Optional



# CATERPILLAR-LOADERS

Base Edges, Bolt-on Edges, End Bits and Segments



**T O U G H  
COMPONENTS**

Tractor Type	O.E.M.Part Number	MTM Part Number	Ref.	Description	No Pcs	Millimeters			Ql. ty.	Nr. H.	FASTENERS			W. Kg.
						W	T	L			Ø	Bolts	Nuts	
<b>938F/G</b>	<b>110-4711</b>	001-002-92	1	Bolt-on Edge STD-CTR	2	280	25	1205	MT2	3	1"	1J 5607	2J 3507	63,26
<b>Wheel</b>	<b>4T 8091</b>	001-000-93	10	End Bit STD-R/LH	2	342	25	160	MT2	2	1"	1J 5607	2J 3507	10,3
<b>GEN.PURP. BUCKETS</b>	<b>1U 1896**</b>	001-000-89	11	End Bit STD-R/LH-ANG	2	412/342	30	160	MT2	2	1"	1J 5607	2J 3507	13,5
	<b>123-9195</b>	001-002-97	18	Bolt-on Edge AFM-RH/CTR	1	250	25	1201	MT2	3	1"	1J 5607	2J 3507	59,3
	<b>123-9196</b>	001-002-98	18	Bolt-on Edge AFM-LH/CTR	1	250	25	1201	MT2	3	1"	1J 5607	2J 3507	59,3
	<b>9W 3481</b>	001-002-13	15	End Bit AFM-RH	1	300	25	160	MT2	2	1"	1J 5607	2J 3507	9,8
	<b>9W 3482</b>	001-002-14	14	End Bit AFM-LH	1	300	25	160	MT2	2	1"	1J 5607	2J 3507	9,8
	<b>4T 6695</b>	001-001-34	S1	Segment STD-CTR	7	280	25	265	MT2	2	1"	1J 5607	2J 3507	13,9
	<b>132-1037</b>	001-004-08	S1	Segment STD-CTR HD	7	280	32	265	MT2	2	1"	1J 5607	2J 3507	17,8
	<b>105-2345</b>	001-P02-50	7	Base Edge STR-STD	1	250	25	2681	MT2	16	28,0	.	.	125,7
	<b>6I 8310</b>	.	.	Corner LH	1	.	.	.	.	.	.	.	.	.
	<b>6I 8311</b>	.	.	Corner RH	1	.	.	.	.	.	.	.	.	.
	<b>107-3746</b>	.	.	Bolt-on Edge STD-CTR	2	.	.	.	.	.	.	1J 5607	2J 3507	57,0
	<b>4T 8091</b>	001-000-93	10	End Bit STD-R/LH	2	342	25	160	MT2	2	1"	1J 5607	2J 3507	10,3
	<b>1U 1896**</b>	001-000-89	11	End Bit STD-R/LH-ANG	2	412/342	30	160	MT2	2	1"	1J 5607	2J 3507	13,5
	<b>107-3298</b>	.	.	Bolt-on Edge AFM-RH	1	.	.	.	.	.	.	1J 5607	2J 3507	53,0
	<b>107-3299</b>	.	.	Bolt-on Edge AFM-LH	1	.	.	.	.	.	.	1J 5607	2J 3507	54,5
	<b>9W 3481</b>	001-002-13	15	End Bit AFM-RH	1	300	25	160	MT2	2	1"	1J 5607	2J 3507	9,8
	<b>9W 3482</b>	001-002-14	14	End Bit AFM-LH	1	300	25	160	MT2	2	1"	1J 5607	2J 3507	9,8
	<b>4T 6695</b>	001-001-34	S1	Segment STD-CTR	7	280	25	265	MT2	2	1"	1J 5607	2J 3507	13,9
	<b>132-1037</b>	001-004-08	S1	Segment STD-CTR HD	7	280	32	265	MT2	2	1"	1J 5607	2J 3507	17,8
<b>936E</b>	<b>8V 7619</b>	.	.	Base Edge STR-STD	1	250	25	2664	MT2	.	1"	.	.	124,9
<b>Wheel</b>	<b>8K 6455</b>	001-519-R00	5	Corner RH	1	213	30	208	MT2	.	.	.	.	7,0
<b>GEN.PURP. BUCKETS</b>	<b>8K 6456</b>	001-519-L00	5	Corner LH	1	213	30	208	MT2	.	.	.	.	7,0
	<b>1U 0292</b>	001-001-04	1	Bolt-on Edge STD-CTR	2	280	25	1162	MT2	3	1"	1J 5607	2J 3507	61,0
	<b>4T 8091</b>	001-000-93	10	End Bit STD-R/LH	2	342	25	160	MT2	2	1"	1J 5607	2J 3507	10,3
	<b>1U 1896**</b>	001-000-89	11	End Bit STD-R/LH-ANG	2	412/342	30	160	MT2	2	1"	1J 5607	2J 3507	13,5
	<b>9W 3484</b>	001-002-16	18	Bolt-on Edge AFM-RH/CTR	1	250	25	1162	MT2	3	1"	1J 5607	2J 3507	57,4
	<b>9W 3485</b>	001-002-17	18	Bolt-on Edge AFM-LH/CTR	1	250	25	1162	MT2	3	1"	1J 5607	2J 3507	57,4
	<b>9W 3481</b>	001-002-13	15	End Bit AFM-RH	1	300	25	160	MT2	2	1"	1J 5607	2J 3507	9,8
	<b>9W 3482</b>	001-002-14	14	End Bit AFM-LH	1	300	25	160	MT2	2	1"	1J 5607	2J 3507	9,8
<b>936E</b>	<b>8V 1825</b>	001-P02-13	7	Base Edge STR-STD	1	250	25	2639	MT2	16	1"	.	.	123,7
<b>936F</b>	<b>4V 1544</b>	001-503-R05	2	Corner RH	1	210	25	207	MT2	1	1 1/4"	.	.	6,0
<b>Wheel</b>	<b>4V 1545</b>	001-503-L05	2	Corner LH	1	210	25	207	MT2	1	1 1/4"	.	.	6,0
<b>GEN.PURP. BUCKETS</b>	<b>1U 0292</b>	001-001-04	1	Bolt-on Edge STD-CTR	2	280	25	1162	MT2	3	1"	1J 5607	2J 3507	61,0
	<b>4T 8091</b>	001-000-93	10	End Bit STD-R/LH	2	342	25	160	MT2	2	1"	1J 5607	2J 3507	10,3
	<b>1U 1896**</b>	001-000-89	11	End Bit STD-R/LH-ANG	2	412/342	30	160	MT2	2	1"	1J 5607	2J 3507	13,5
	<b>9W 3484</b>	001-002-16	18	Bolt-on Edge AFM-RH/CTR	1	250	25	1162	MT2	3	1"	1J 5607	2J 3507	57,4
	<b>9W 3485</b>	001-002-17	18	Bolt-on Edge AFM-LH/CTR	1	250	25	1162	MT2	3	1"	1J 5607	2J 3507	57,4
	<b>9W 3481</b>	001-002-13	15	End Bit AFM-RH	1	300	25	160	MT2	2	1"	1J 5607	2J 3507	9,8
	<b>9W 3482</b>	001-002-14	14	End Bit AFM-LH	1	300	25	160	MT2	2	1"	1J 5607	2J 3507	9,8
	<b>6W 2985</b>	001-P02-36	13	Base Edge STR-STD	1	250	25	2639	MT2	28	1"	.	.	123,7
	<b>4V 1544</b>	001-503-R05	2	Corner RH	1	210	25	207	MT2	1	1 1/4"	.	.	6,0
	<b>4V 1545</b>	001-503-L05	2	Corner LH	1	210	25	207	MT2	1	1 1/4"	.	.	6,0
	<b>1U 0292</b>	001-001-04	1	Bolt-on Edge STD-CTR	2	280	25	1162	MT2	3	1"	1J 5607	2J 3507	61,0
	<b>4T 8091</b>	001-000-93	10	End Bit STD-R/LH	2	342	25	160	MT2	2	1"	1J 5607	2J 3507	10,3
	<b>1U 1896**</b>	001-000-89	11	End Bit STD-R/LH-ANG	2	412/342	30	160	MT2	2	1"	1J 5607	2J 3507	13,5
cont.	<b>9W 3484</b>	001-002-16	18	Bolt-on Edge AFM-RH/CTR	1	250	25	1162	MT2	3	1"	1J 5607	2J 3507	57,4

\*\* Optional

# CATERPILLAR-LOADERS

Base Edges, Bolt-on Edges, End Bits and Segments



**T O U G H  
C O M P O N E N T S**

Tractor Type	O.E.M. Part Number	MTM Part Number	Ref.	Description	No Pcs	Millimeters			QI. ty.	Nr. H.	FASTENERS			W. Kg.
						W	T	L			Ø	Bolts	Nuts	
936E 936F	9W 3485	001-002-17	18	Bolt-on Edge AFM-LH/CTR	1	250	25	1162	MT2	3	1"	1J 5607	2J 3507	57,4
	9W 3481	001-002-13	15	End Bit AFM-RH	1	300	25	160	MT2	2	1"	1J 5607	2J 3507	9,8
Wheel	9W 3482	001-002-14	14	End Bit AFM-LH	1	300	25	160	MT2	2	1"	1J 5607	2J 3507	9,8
GEN.PURP. BUCKETS	4T 6695	001-001-34	S1	Segment STD-CTR	7	280	25	265	MT2	2	1"	1J 5607	2J 3507	13,9
	132-1037	001-004-08	S1	Segment STD-CTR HD	7	280	32	265	MT2	2	1"	1J 5607	2J 3507	17,8
	105-2345	001-P02-50	7	Base Edge STR-STD	1	250	25	2681	MT2	16	28,0	.	.	125,7
	4V 1544	001-503-R05	2	Corner RH	1	210	25	207	MT2	1	1 1/4"	.	.	6,0
	4V 1545	001-503-L05	2	Corner LH	1	210	25	207	MT2	1	1 1/4"	.	.	6,0
	107-3746	.	.	Bolt-on Edge STD-CTR	2	.	.	.	.	.	.	1J 5607	2J 3507	57,0
	4T 8091	001-000-93	10	End Bit STD-R/LH	2	342	25	160	MT2	2	1"	1J 5607	2J 3507	10,3
	1U 1896**	001-000-89	11	End Bit STD-R/LH-ANG	2	412/342	30	160	MT2	2	1"	1J 5607	2J 3507	13,5
	107-3298	.	.	Bolt-on Edge AFM-RH	1	.	.	.	.	.	.	1J 5607	2J 3507	53,0
	107-3299	.	.	Bolt-on Edge AFM-LH	1	.	.	.	.	.	.	1J 5607	2J 3507	54,5
	9W 3481	001-002-13	15	End Bit AFM-RH	1	300	25	160	MT2	2	1"	1J 5607	2J 3507	9,8
	9W 3482	001-002-14	14	End Bit AFM-LH	1	300	25	160	MT2	2	1"	1J 5607	2J 3507	9,8
	4T 6695	001-001-34	S1	Segment STD-CTR	7	280	25	265	MT2	2	1"	1J 5607	2J 3507	13,9
	132-1037	001-004-08	S1	Segment STD-CTR HD	7	280	32	265	MT2	2	1"	1J 5607	2J 3507	17,8
	6W 2988	001-P02-39	13	Base Edge STR-STD	1	250	25	2640	MT2	30	1"	.	.	123,8
	4V 1544	001-503-R05	2	Corner RH	1	210	25	207	MT2	1	1 1/4"	.	.	6,0
	4V 1545	001-503-L05	2	Corner LH	1	210	25	207	MT2	1	1 1/4"	.	.	6,0
	1U 2413	001-000-16	1	Bolt-on Edge STD-CTR	2	360	30	1162	MT2	3	1"	1J 5607	2J 3507	94,1
	4T 8101	001-000-94	8	End Bit STD-R/LH	2	496	30	170	MT2	3	1"	1J 5607	2J 3507	19,0
	1U 1898**	001-000-91	9	End Bit STD-R/LH-ANG	2	576/496	35	170	MT2	3	1"	1J 5607	2J 3507	24,0
	132-1032	001-004-14	1	Bolt-on Edge STD-CTR HD	2	360	35	1162	MT2	3	1"	1J 5607	2J 3507	94,1
	132-1033	001-003-11	8	End Bit STD-R/LH HD	2	496	35	170	MT2	3	1"	1J 5607	2J 3507	22,1
	4T 6695	001-001-34	S1	Segment STD-CTR	2	280	25	265	MT2	2	1"	1J 5607	2J 3507	13,9
	4T 6694	001-001-33	S1	Segment STD-CTR	5	280	25	225	MT2	2	1"	1J 5607	2J 3507	11,8
	132-1037	001-004-08	S1	Segment STD-CTR HD	2	280	32	265	MT2	2	1"	1J 5607	2J 3507	17,8
	132-1035	001-004-00	S1	Segment STD-CTR HD	5	280	32	225	MT2	2	1"	1J 5607	2J 3507	15,1
935 931	6S 6501	001-P01-38	5	Base Edge STR-STD	1	200	20	1898	MT2	12	3/4"	.	.	56,9
	5G 2806	001-516-R06	4	Corner RH	1	178	20	134	MT2	1	1"	.	.	3,0
Track	5G 2807	001-516-L06	4	Corner LH	1	178	20	134	MT2	1	1"	.	.	3,0
GEN.PURP. BUCKETS	4T 2919	001-000-36	1	Bolt-on Edge STD-CTR	2	254	20	946	MT2	3	3/4"	4F 7827	2J 3506	36,0
	5G 2395*	001-P01-37	4	Base Edge STR-STD	1	200	20	1898	MT2		3/4"	.	.	56,9
	5G 2806	001-516-R06	4	Corner RH	1	178	20	134	MT2	1	1"	.	.	3,0
	5G 2807	001-516-L06	4	Corner LH	1	178	20	134	MT2	1	1"	.	.	3,0
	1U 0102	001-000-35	1	Bolt-on Edge STD-CTR	2	254	20	955	MT2	4	3/4"	4F 7827	2J 3506	36,4
	6S 6500*	001-P01-26	11	Base Edge STR-STD	1	200	20	2150	MT2	12	3/4"	.	.	64,5
	5G 2806	001-516-R06	4	Corner RH	1	178	20	134	MT2	1	1"	.	.	3,0
	5G 2807	001-516-L06	4	Corner LH	1	178	20	134	MT2	1	1"	.	.	3,0
	4T 2920	001-000-33	1	Bolt-on Edge STD-CTR	1	254	20	969	MT2	3	3/4"	4F 7827	2J 3506	36,9
	4T 2918	001-001-77	1	End-section STD-R/LH	2	254	20	585,4	MT2	2	3/4"	4F 7827	2J 3506	22,3
	6S 7291	001-P02-14	5	Base Edge STR-STD	5	200	20	2406	MT2	12	3/4"	.	.	72,0
	5G 2806	001-516-R06	4	Corner RH	1	178	20	134	MT2	1	1"	.	.	3,0
	5G 2807	001-516-L06	4	Corner LH	1	178	20	134	MT2	1	1"	.	.	3,0
	5G 2808	001-P01-39	11	Base Edge STR-STD	1	200	20	1823	MT2	14	3/4"	.	.	54,7
cont.	5G 2806	001-516-R06	4	Corner RH	1	178	20	134	MT2	1	1"	.	.	3,0

\*5G 2395 replaced by 5G 2808 and 6S 6500 by 5G 3085.\*\* Optional

# CATERPILLAR-LOADERS

Base Edges, Bolt-on Edges, End Bits and Segments



**T O U G H  
C O M P O N E N T S**

Tractor Type	O.E.M.Part Number	MTM Part Number	Ref.	Description	No Pcs	Millimeters			Ql. ty.	Nr. H.	FASTENERS			W. Kg.
						W	T	L			Ø	Bolts	Nuts	
<b>935</b>	5G 2807	001-516-L06	4	Corner LH	1	178	20	134	MT2	1	1"	.	.	3,0
<b>931</b>	4T 2911	001-000-18	1	Bolt-on Edge STD-CTR	1	254	20	1143	MT2	4	3/4"	4F 7827	2J 3506	43,5
<b>Track</b>	4T 2910	001-000-48	1	End-section STD-R/LH	2	254	20	354	MT2	2	3/4"	4F 7827	2J 3506	13,5
<b>GEN.PURP. BUCKETS</b>	5G 2808	001-P01-39	11	Base Edge STR-STD	1	200	20	1823	MT2	14	3/4"	.	.	54,7
	5G 2806	001-516-R06	4	Corner RH	1	178	20	134	MT2	1	1"	.	.	3,0
	5G 2807	001-516-L06	4	Corner LH	1	178	20	134	MT2	1	1"	.	.	3,0
	1U 0102	001-000-35	1	Bolt-on Edge STD-CTR	2	254	20	955	MT2	4	3/4"	4F 7827	2J 3506	36,4
	5G 2809	001-P01-28	11	Base Edge STR-STD	1	200	20	2080	MT2	12	3/4"	.	.	62,4
	5G 2806	001-516-R06	4	Corner RH	1	178	20	134	MT2	1	1"	.	.	3,0
	5G 2807	001-516-L06	4	Corner LH	1	178	20	134	MT2	1	1"	.	.	3,0
	4T 8796	001-000-10	1	Bolt-on Edge STD-CTR	1	254	20	1238	MT2	3	3/4"	4F 7827	2J 3506	47,2
	4T 2914	001-000-47	1	End-section STD-R/LH	2	254	20	433	MT2	2	3/4"	4F 7827	2J 3506	16,5
	5G 3477	001-P01-14	11	Base Edge STR-STD	1	200	20	2330	MT2	12	3/4"	.	.	69,9
	5G 2806	001-516-R06	4	Corner RH	1	178	20	134	MT2	1	1"	.	.	3,0
	5G 2807	001-516-L06	4	Corner LH	1	178	20	134	MT2	1	1"	.	.	3,0
	4T 2915	001-000-03	1	Bolt-on Edge STD-CTR	1	254	20	1486	MT2	3	3/4"	4F 7827	2J 3506	56,6
	4T 2914	001-000-47	1	End-section STD-R/LH	2	254	20	433	MT2	2	3/4"	4F 7827	2J 3506	16,5
	5G 8467	001-P02-25	11	Base Edge STR-STD	1	200	19	1950	MT2	12	3/4"	.	.	55,6
	5G 2806	001-516-R06	4	Corner RH	1	178	20	134	MT2	1	1"	.	.	3,0
	5G 2807	001-516-L06	4	Corner LH	1	178	20	134	MT2	1	1"	.	.	3,0
	9W 9943	001-000-99	1	Bolt-on Edge STD-CTR	1	254	20	1231	MT2	4	3/4"	4F 7827	2J 3506	46,9
	9W 9944	001-001-05	1	End-section STD-R/LH	2	254	20	373	MT2	2	3/4"	4F 7827	2J 3506	14,2
	8Y 4738	.	.	Base Edge STR-STD	1	200	20	1950	MT2	.	.	.	.	58,5
	5G 2806	001-516-R06	4	Corner RH	1	178	20	134	MT2	1	1"	.	.	3,0
	5G 2807	001-516-L06	4	Corner LH	1	178	20	134	MT2	1	1"	.	.	3,0
	9W 9943	001-000-99	1	Bolt-on Edge STD-CTR	1	254	20	1231	MT2	4	3/4"	4F 7827	2J 3506	46,9
	9W 9944	001-001-05	1	End-section STD-R/LH	2	254	20	373	MT2	2	3/4"	4F 7827	2J 3506	14,2
	6Y 6362	.	.	Segment STD-CTR	7	.	.	.	MT2	.	3/4"	4F 7827	2J 3506	.
	5G 3085	001-P01-26	11	Base Edge STR-STD	1	200	20	2150	MT2	12	3/4"	.	.	64,5
	5G 2806	001-516-R06	4	Corner RH	1	178	20	134	MT2	1	1"	.	.	3,0
	5G 2807	001-516-L06	4	Corner LH	1	178	20	134	MT2	1	1"	.	.	3,0
	4T 2913	001-000-08	1	Bolt-on Edge STD-CTR	1	254	20	1308	MT2	3	3/4"	4F 7827	2J 3506	49,8
	4T 2914	001-000-47	1	End-section STD-R/LH	2	254	20	433	MT2	2	3/4"	4F 7827	2J 3506	16,5
<b>933</b>	5G 3477	001-P01-14	11	Base Edge STR-STD	1	200	20	2330	MT2	12	3/4"	.	.	69,9
<b>Track</b>	5G 2806	001-516-R06	4	Corner RH	1	178	20	134	MT2	1	1"	.	.	3,0
<b>GEN.PURP. BUCKETS</b>	5G 2807	001-516-L06	4	Corner LH	1	178	20	134	MT2	1	1"	.	.	3,0
	4T 2915	001-000-03	1	Bolt-on Edge STD-CTR	1	254	20	1486	MT2	3	3/4"	4F 7827	2J 3506	56,6
	4T 2914	001-000-47	1	End-section STD-R/LH	2	254	20	433	MT2	2	3/4"	4F 7827	2J 3506	16,5
	8Y 4738	.	.	Base Edge STR-STD	1	200	20	1950	MT2	.	.	.	.	58,5
	5G 2806	001-516-R06	4	Corner RH	1	178	20	134	MT2	1	1"	.	.	3,0
	5G 2807	001-516-L06	4	Corner LH	1	178	20	134	MT2	1	1"	.	.	3,0
	9W 9943	001-000-99	1	Bolt-on Edge STD-CTR	1	254	20	1231	MT2	4	3/4"	4F 7827	2J 3506	46,9
	9W 9944	001-001-05	1	End-section STD-CTR	2	254	20	373	MT2	2	3/4"	4F 7827	2J 3506	14,2
	6Y 6362	.	.	Segment STD-CTR	7	.	.	.	MT2	.	3/4"	4F 7827	2J 3506	.
<b>930</b>	8K 8161*	001-P01-69	5	Base Edge STR-STD	1	250	25	2438	MT2	18	1"	.	.	114,3
<b>Wheel</b>	8K 6455	001-519-R00	5	Corner RH	1	213	30	208	MT2	.	.	.	.	7,0
<b>GEN.PURP. BUCKETS</b>	8K 6456	001-519-L00	5	Corner LH	1	213	30	208	MT2	.	.	.	.	7,0
	1U 1465	001-000-44	1	Bolt-on Edge STD-CTR	1	280	25	788	MT2	3	1"	1J 5607	2J 3507	41,4

\*8K 8161 replaced by 6W 4616 .

# CATERPILLAR-LOADERS

Base Edges, Bolt-on Edges, End Bits and Segments



**T O U G H  
COMPONENTS**

Tractor Type	O.E.M.Part Number	MTM Part Number	Ref.	Description	No Pcs	Millimeters			Ql. ty.	Nr. H.	FASTENERS			W. Kg.
						W	T	L			Ø	Bolts	Nuts	
930 Wheel GEN.PURP. BUCKETS	1U 1464	001-000-43	1	End-section STD-R/LH	2	280	25	820	MT2	3	1"	1J 5607	2J 3507	43,1
	132-1026	001-004-05	1	Bolt-on Edge STD-CTR HD	1	280	32	788	MT2	3	1"	1J 5607	2J 3507	53,0
	132-1027	001-004-06	1	End-section STD-R/LH HD	2	280	32	820	MT2	3	1"	1J 5607	2J 3507	55,1
	9W 3469	001-002-03	18	Bolt-on Edge AFM-CTR	1	250	25	788	MT2	3	1"	1J 5607	2J 3507	38,9
	9W 3470	001-002-04	18	Bolt-on Edge AFM-RH	1	250	25	820	MT2	3	1"	1J 5607	2J 3507	40,5
	9W 3471	001-002-04	18	Bolt-on Edge AFM-LH	1	250	25	820	MT2	3	1"	1J 5607	2J 3507	40,5
	1V 3916	001-P01-00	1	Base Edge STR-STD	1	250	25	2438	MT2	.	.	.	.	114,3
	4V 8285	.	.	Corner RH	1	221	25	165	MT2	.	.	.	.	4,1
	4V 8286	.	.	Corner LH	1	221	25	165	MT2	.	.	.	.	4,1
	5V 4661*	001-P01-09	7	Base Edge STR-STD	1	250	25	2408	MT2	16	1"	.	.	112,9
	4V 1544	001-503-R05	2	Corner RH	1	210	25	207	MT2	1	1 1/4"	.	.	6,0
	4V 1545	001-503-L05	2	Corner LH	1	210	25	207	MT2	1	1 1/4"	.	.	6,0
	1U 0607	001-000-27	1	Bolt-on Edge STD-CTR	2	280	25	1044	MT2	3	1"	1J 5607	2J 3507	54,8
	4T 8091	001-000-93	10	End Bit STD-R/LH	2	342	25	160	MT2	2	1"	1J 5607	2J 3507	10,3
	1U 1896**	001-000-89	11	End Bit STD-R/LH-ANG	2	412/342	30	160	MT2	2	1"	1J 5607	2J 3507	13,5
	9W 3483	001-002-15	18	Bolt-on Edge AFM-CTR	2	250	25	1044	MT2	3	1"	1J 5607	2J 3507	51,6
	9W 3481	001-002-13	15	End Bit AFM-RH	1	300	25	160	MT2	2	1"	1J 5607	2J 3507	9,8
	9W 3482	001-002-14	14	End Bit AFM-LH	1	300	25	160	MT2	2	1"	1J 5607	2J 3507	9,8
	4T 6694	001-001-33	S1	Segment STD-CTR	5	280	25	225	MT2	2	1"	4F 4042	2J 3507	11,8
	4T 6693	001-001-32	S1	Segment STD-CTR	2	280	25	210	MT2	2	1"	4F 4042	2J 3507	11,0
	132-1036	001-004-10	S1	Segment STD-CTR HD	2	280	32	210	MT2	2	1"	4F 4042	2J 3507	14,1
	132-1035	001-004-00	S1	Segment STD-CTR HD	5	280	32	225	MT2	2	1"	4F 4042	2J 3507	15,1
	6W 2984	001-P02-35	13	Base Edge STR-STD	1	250	25	2408	MT2	28	1"	.	.	113,0
	4V 1544	001-503-R05	2	Corner RH	1	210	25	207	MT2	1	1 1/4"	.	.	6,0
	4V 1545	001-503-L05	2	Corner LH	1	210	25	207	MT2	1	1 1/4"	.	.	6,0
	1U 0607	001-000-27	1	Bolt-on Edge STD-CTR	2	280	25	1044	MT2	3	1"	1J 5607	2J 3507	54,8
	4T 8091	001-000-93	10	End Bit STD-R/LH	2	342	25	160	MT2	2	1"	1J 5607	2J 3507	10,3
	1U 1896**	001-000-89	11	End Bit STD-R/LH-ANG	2	412/342	30	160	MT2	2	1"	1J 5607	2J 3507	13,5
	9W 3483	001-002-15	18	Bolt-on Edge AFM-CTR	2	250	25	1044	MT2	3	1"	1J 5607	2J 3507	51,6
	9W 3481	001-002-13	15	End Bit AFM-RH	1	300	25	160	MT2	2	1"	1J 5607	2J 3507	9,8
9W 3482	001-002-14	14	End Bit AFM-LH	1	300	25	160	MT2	2	1"	1J 5607	2J 3507	9,8	
4T 6694	001-001-33	S1	Segment STD-CTR	5	280	25	225	MT2	2	1"	4F 4042	2J 3507	11,8	
4T 6693	001-001-32	S1	Segment STD-CTR	2	280	25	210	MT2	2	1"	4F 4042	2J 3507	11,0	
132-1036	001-004-10	S1	Segment STD-CTR HD	2	280	32	210	MT2	2	1"	4F 4042	2J 3507	14,1	
132-1035	001-004-00	S1	Segment STD-CTR HD	5	280	32	225	MT2	2	1"	4F 4042	2J 3507	15,1	
926	4E 0659	.	.	Base Edge STR-STD	1	250	25	2524	MT2	.	1"	.	.	118,3
928F	4V 1544	001-503-R05	2	Corner RH	1	210	25	207	MT2	1	1 1/4"	.	.	6,0
928G	4V 1545	001-503-L05	2	Corner LH	1	210	25	207	MT2	1	1 1/4"	.	.	6,0
Wheel	8E 4567	001-001-93	1	Bolt-on Edge STD-CTR	2	280	25	1102	MT2	3	1"	1J 5607	2J 3507	57,9
GEN.PURP.	4T 8091	001-000-93	10	End Bit STD-R/LH	2	342	25	160	MT2	2	1"	1J 5607	2J 3507	10,3
BUCKETS	1U 1896**	001-000-89	11	End Bit STD-R/LH-ANG	2	412/342	30	160	MT2	2	1"	1J 5607	2J 3507	13,5
	135-6728	001-003-08	18	Bolt-on Edge AFM-RH/CTR	1	250	25	1102	MT2	3	1"	1J 5607	2J 3507	54,4
	135-6729	001-003-09	18	Bolt-on Edge AFM-LH/CTR	1	250	25	1102	MT2	3	1"	1J 5607	2J 3507	54,4
	9W 3481	001-002-13	15	End Bit AFM-RH	1	300	25	160	MT2	2	1"	1J 5607	2J 3507	9,8
	9W 3482	001-002-14	14	End Bit AFM-LH	1	300	25	160	MT2	2	1"	1J 5607	2J 3507	9,8
	8E 4569	001-004-14	S1	Segment STD-CTR	7	280	25	247	MT2	2	1"	1J 5607	2J 3507	13,0
cont.	4E 2483	.	1	Base Edge STR-STD	1	250	25	2594	MT2	.	.	.	.	121,5

\*5V 4661 by 6W 2984. \*\* Optional

# CATERPILLAR-LOADERS

Base Edges, Bolt-on Edges, End Bits and Segments



**T O U G H  
C O M P O N E N T S**

Tractor Type	O.E.M. Part Number	MTM Part Number	Ref.	Description	No Pcs	Millimeters			Ql. ty.	Nr. H.	FASTENERS			W. Kg.
						W	T	L			Ø	Bolts	Nuts	
	4E 3127			Corner RH	1	.	.	.	.	.	.	.	.	.
	4E 3128			Corner LH	1	.	.	.	.	.	.	.	.	.
<b>926</b>	5V 4670	001-P01-13	7	Base Edge STR-STD	1	250	25	2370	MT2	16	1"	.	.	111,1
<b>Wheel</b>	4V 1544	001-503-R05	2	Corner RH	1	210	25	207	MT2	1	1 1/4"	.	.	6,0
<b>GEN.PURP. BUCKETS</b>	4V 1545	001-503-L05	2	Corner LH	1	210	25	207	MT2	1	1 1/4"	.	.	6,0
	1U 0295	001-O00-29	1	Bolt-on Edge STD-CTR	2	280	25	1025	MT2	3	1"	1J 5607	2J 3507	53,8
	4T 8091	001-O00-93	10	End Bit STD-R/LH	2	342	25	160	MT2	2	1"	1J 5607	2J 3507	10,3
	1U 1896**	001-O00-89	11	End Bit STD-R/LH-ANG	2	412/342	30	160	MT2	2	1"	1J 5607	2J 3507	13,5
	9W 3486	001-O02-18	18	Bolt-on Edge AFM-RH	1	250	25	1025	MT2	3	1"	1J 5607	2J 3507	50,6
	9W 3487	001-O02-19	18	Bolt-on Edge AFM-LH	1	250	25	1025	MT2	3	1"	1J 5607	2J 3507	50,6
	9W 3481	001-O02-13	15	End Bit AFM-RH	1	300	25	160	MT2	2	1"	1J 5607	2J 3507	9,8
	9W 3482	001-O02-14	14	End Bit AFM-LH	1	300	25	160	MT2	2	1"	1J 5607	2J 3507	9,8
	9V 6572	001-P01-11	13	Base Edge STR-STD	1	250	25	2370	MT2	28	1"	.	.	111,1
	4V 1544	001-503-R05	2	Corner RH	1	210	25	207	MT2	1	1 1/4"	.	.	6,0
	4V 1545	001-503-L05	2	Corner LH	1	210	25	207	MT2	1	1 1/4"	.	.	6,0
	1U 0295	001-O00-29	1	Bolt-on Edge STD-CTR	2	280	25	1025	MT2	3	1"	1J 5607	2J 3507	53,8
	4T 8091	001-O00-93	10	End Bit STD-R/LH	2	342	25	160	MT2	2	1"	1J 5607	2J 3507	10,3
	1U 1896**	001-O00-89	11	End Bit STD-R/LH-ANG	2	412/342	30	160	MT2	2	1"	1J 5607	2J 3507	13,5
	9W 3486	001-O02-18	18	Bolt-on Edge AFM-RH	1	250	25	1025	MT2	3	1"	1J 5607	2J 3507	50,6
	9W 3487	001-O02-19	18	Bolt-on Edge AFM-LH	1	250	25	1025	MT2	3	1"	1J 5607	2J 3507	50,6
	9W 3481	001-O02-13	15	End Bit AFM-RH	1	300	25	160	MT2	2	1"	1J 5607	2J 3507	9,8
	9W 3482	001-O02-14	14	End Bit AFM-LH	1	300	25	160	MT2	2	1"	1J 5607	2J 3507	9,8
	4T 6694	001-O01-33	S1	Segment STD-CTR	7	280	25	225	MT2	2	1"	1J 5607	2J 3507	11,8
	132-1035	001-O04-00	S1	Segment STD-CTR HD	7	280	32	225	MT2	2	1"	1J 5607	2J 3507	15,1
	8V 7214	001-P02-26		Base Edge STR-STD	1	250	25	2395	MT2		1"	.	.	112,3
	8K 6455	001-519-R00	5	Corner RH	1	213	30	208	MT2	.	.	.	.	7,0
	8K 6456	001-519-L00	5	Corner LH	1	213	30	208	MT2	.	.	.	.	7,0
	1U 0295	001-O00-29	1	Bolt-on Edge STD-CTR	2	280	25	1025	MT2	3	1"	1J 5607	2J 3507	53,8
	4T 8091	001-O00-93	10	End Bit STD-R/LH	2	342	25	160	MT2	2	1"	1J 5607	2J 3507	10,3
	1U 1896**	001-O00-89	11	End Bit STD-R/LH-ANG	2	412/342	30	160	MT2	2	1"	1J 5607	2J 3507	13,5
	9W 3486	001-O02-18	18	Bolt-on Edge AFM-RH	1	250	25	1025	MT2	3	1"	1J 5607	2J 3507	50,6
	9W 3487	001-O02-19	18	Bolt-on Edge AFM-LH	1	250	25	1025	MT2	3	1"	1J 5607	2J 3507	50,6
	9W 3481	001-O02-13	15	End Bit AFM-RH	1	300	25	160	MT2	2	1"	1J 5607	2J 3507	9,8
	9W 3482	001-O02-14	14	End Bit AFM-LH	1	300	25	160	MT2	2	1"	1J 5607	2J 3507	9,8
<b>924F</b>	9V 6572	001-P01-11	13	Base Edge STR-STD	1	250	25	2370	MT2	28	1"	.	.	111,1
<b>Wheel</b>	6I 8310			Corner LH	.	.	.	.	.	.	.	.	.	.
<b>GEN.PURP. BUCKETS</b>	6I 8311			Corner RH	.	.	.	.	.	.	.	.	.	.
	1U 0295	001-O00-29	1	Bolt-on Edge STD-CTR	2	280	25	1025	MT2	3	1"	1J 5607	2J 3507	53,8
	4T 8091	001-O00-93	10	End Bit STD-R/LH	2	342	25	160	MT2	2	1"	1J 5607	2J 3507	10,3
	1U 1896**	001-O00-89	11	End Bit STD-R/LH-ANG	2	412/342	30	160	MT2	2	1"	1J 5607	2J 3507	13,5
	9W 3486	001-O02-18	18	Bolt-on Edge AFM-RH	1	250	25	1025	MT2	3	1"	1J 5607	2J 3507	50,6
	9W 3487	001-O02-19	18	Bolt-on Edge AFM-LH	1	250	25	1025	MT2	3	1"	1J 5607	2J 3507	50,6
	9W 3481	001-O02-13	15	End Bit AFM-RH	1	300	25	160	MT2	2	1"	1J 5607	2J 3507	9,8
	9W 3482	001-O02-14	14	End Bit AFM-LH	1	300	25	160	MT2	2	1"	1J 5607	2J 3507	9,8
	4T 6694	001-O01-33	S1	Segment STD-CTR	7	280	25	225	MT2	2	1"	1J 5607	2J 3507	11,8
	132-1035	001-O04-00	S1	Segment STD-CTR HD	7	280	32	225	MT2	2	1"	1J 5607	2J 3507	15,1

\*\* Optional

# CATERPILLAR-LOADERS

Base Edges, Bolt-on Edges, End Bits and Segments



**T O U G H  
C O M P O N E N T S**

Tractor Type	O.E.M.Part Number	MTM Part Number	Ref.	Description	No Pcs	Millimeters			QI. ty.	Nr. H.	FASTENERS			W. Kg.
						W	T	L			Ø	Bolts	Nuts	
<b>922</b>	5V 7426	001-P01-17	5	Base Edge STR-STD	1	250	25	2314	MT2	16	1"	.	.	108,5
<b>Wheel</b>	.	.	.	.	.	.	.	.	.	.	.	.	.	.
<b>GEN.PURP. BUCKETS</b>	1U 1471	001-O00-20	1	Bolt-on Edge STD-R/LH	2	360	30	1121	MT2	4	1"	1J 5607	2J 3507	90,8
	6W 2975	001-P02-27	13	Base Edge STR-STD	1	250	25	2324	MT2	28	1"	.	.	108,9
	4V 1544	001-503-R05	2	Corner RH	1	210	25	207	MT2	1	1 1/4"	.	.	6,0
	4V 1545	001-503-L05	2	Corner LH	1	210	25	207	MT2	1	1 1/4"	.	.	6,0
	4T 6693	001-O01-32	S1	Segment STD-CTR	7	280	25	210	MT2	2	1"	4F 4042	2J 3507	11,0
<b>920</b>	5V 7426	001-P01-17	5	Base Edge STR-STD	1	250	25	2314	MT2	16	1"	.	.	108,5
<b>Wheel</b>	.	.	.	Corner RH	1	.	.	.	.	.	.	.	.	.
<b>GEN.PURP. BUCKETS</b>	.	.	.	Corner LH	1	.	.	.	.	.	.	.	.	.
	1U 1471	001-O00-20	1	Bolt-on Edge STD-R/LH	2	360	30	1121	MT2	4	1"	1J 5607	2J 3507	90,8
	8K 8161*	001-P01-69	5	Base Edge STR-STD	1	250	25	2438	MT2	18	1"	.	.	114,3
	8K 6455	001-519-R00	5	Corner RH	1	213	30	208	MT2	.	.	.	.	7,0
	8K 6456	001-519-L00	5	Corner LH	1	213	30	208	MT2	.	.	.	.	7,0
	1U 1465	001-O00-44	1	Bolt-on Edge STD-CTR	1	280	25	788	MT2	3	1"	1J 5607	2J 3507	41,4
	1U 1464	001-O00-43	1	End-section STD-R/LH	2	280	25	820	MT2	3	1"	1J 5607	2J 3507	43,1
	132-1026	001-O04-05	1	Bolt-on Edge STD-CTR HD	1	280	32	788	MT2	3	1"	1J 5607	2J 3507	53,0
	132-1027	001-O04-06	1	End-section STD-R/LH HD	2	280	32	820	MT2	3	1"	1J 5607	2J 3507	55,1
	9W 3469	001-O02-03	18	Bolt-on Edge AFM-CTR	1	250	25	788	MT2	3	1"	1J 5607	2J 3507	38,9
	9W 3470	001-O02-04	18	Bolt-on Edge AFM-RH	1	250	25	820	MT2	3	1"	1J 5607	2J 3507	40,5
	9W 3471	001-O02-04	18	Bolt-on Edge AFM-LH	1	250	25	820	MT2	3	1"	1J 5607	2J 3507	40,5
	1V 3916	001-P01-00	1	Base Edge STR-STD	1	250	25	2438	MT2	.	.	.	.	114,3
	4V 8285	.	.	Corner RH	1	221	25	165	MT2	.	.	.	.	4,1
	4V 8286	.	.	Corner LH	1	221	25	165	MT2	.	.	.	.	4,1
	6W 2984	001-P02-35	13	Base Edge STR-STD	1	250	25	2408	MT2	28	1"	.	.	112,9
	4V 1544	001-503-R05	2	Corner RH	1	210	25	207	MT2	1	1 1/4"	.	.	6,0
	4V 1545	001-503-L05	2	Corner LH	1	210	25	207	MT2	1	1 1/4"	.	.	6,0
	1U 0607	001-O00-27	1	Bolt-on Edge STD-CTR	2	280	25	1044	MT2	3	1"	1J 5607	2J 3507	54,8
	4T 8091	001-O00-93	10	End Bit STD-R/LH	2	342	25	160	MT2	2	1"	1J 5607	2J 3507	10,3
	1U 1896**	001-O00-89	11	End Bit STD-R/LH-ANG	2	412/342	30	160	MT2	2	1"	1J 5607	2J 3507	13,5
	9W 3483	001-O02-15	18	Bolt-on Edge AFM-CTR	2	250	25	1044	MT2	3	1"	1J 5607	2J 3507	51,6
	9W 3481	001-O02-13	15	End Bit AFM-RH	1	300	25	160	MT2	2	1"	1J 5607	2J 3507	9,8
	9W 3482	001-O02-14	14	End Bit AFM-LH	1	300	25	160	MT2	2	1"	1J 5607	2J 3507	9,8
	4T 6693	001-O01-32	S1	Segment STD-CTR	2	280	25	210	MT2	2	1"	4F 4042	2J 3507	11,0
	4T 6694	001-O01-33	S1	Segment STD-CTR	5	280	25	225	MT2	2	1"	4F 4042	2J 3507	11,8
	132-1036	001-O04-10	S1	Segment STD-CTR HD	2	280	32	210	MT2	2	1"	4F 4042	2J 3507	14,1
	132-1035	001-O04-00	S1	Segment STD-CTR HD	5	280	32	225	MT2	2	1"	4F 4042	2J 3507	15,1
<b>918F</b>	9V 9754	.	.	Base Edge	.	.	.	.	.	.	.	.	.	.
<b>Wheel</b>	4V 1544	001-503-R05	2	Corner RH	1	210	25	207	MT2	1	1 1/4"	.	.	6,0
	4V 1545	001-503-L05	2	Corner LH	1	210	25	207	MT2	1	1 1/4"	.	.	6,0
<b>916</b>	5V 4670	001-P01-13	7	Base Edge STR-STD	1	250	25	2370	MT2	16	1"	.	.	111,1
<b>Wheel</b>	4V 1544	001-503-R05	2	Corner RH	1	210	25	207	MT2	1	1 1/4"	.	.	6,0
<b>GEN.PURP. BUCKETS</b>	4V 1545	001-503-L05	2	Corner LH	1	210	25	207	MT2	1	1 1/4"	.	.	6,0
	1U 0295	001-O00-29	1	Bolt-on Edge STD-CTR	2	280	25	1025	MT2	3	1"	1J 5607	2J 3507	53,8
	4T 8091	001-O00-93	10	End Bit STD-R/LH	2	342	25	160	MT2	2	1"	1J 5607	2J 3507	10,3
	1U 1896**	001-O00-89	11	End Bit STD-R/LH-ANG	2	412/342	30	160	MT2	2	1"	1J 5607	2J 3507	13,5
cont.	9W 3486	001-O02-18	18	Bolt-on Edge AFM-RH	1	250	25	1025	MT2	3	1"	1J 5607	2J 3507	50,6

\*8K 8161 replaced by 6W 2984. \*\* Optional

# CATERPILLAR-LOADERS

Base Edges, Bolt-on Edges, End Bits and Segments



**T O U G H  
C O M P O N E N T S**

Tractor Type	O.E.M.Part Number	MTM Part Number	Ref.	Description	No Pcs	Millimeters			Ql. ty.	Nr. H.	FASTENERS			W. Kg.
						W	T	L			Ø	Bolts	Nuts	
<b>916</b>	9W 3487	001-002-19	18	Bolt-on Edge AFM-LH	1	250	25	1025	MT2	3	1"	1J 5607	2J 3507	50,6
<b>Wheel</b>	9W 3481	001-002-13	15	End Bit AFM-RH	1	300	25	160	MT2	2	1"	1J 5607	2J 3507	9,8
<b>GEN.PURP. BUCKETS</b>	9W 3482	001-002-14	14	End Bit AFM-LH	1	300	25	160	MT2	2	1"	1J 5607	2J 3507	9,8
	9V 6572	001-P01-11	13	Base Edge STR-STD	1	250	25	2370	MT2	28	1"	.	.	111,1
	4V 1544	001-503-R05	2	Corner RH	1	210	25	207	MT2	1	1 1/4"	.	.	6,0
	4V 1545	001-503-L05	2	Corner LH	1	210	25	207	MT2	1	1 1/4"	.	.	6,0
	1U 0295	001-000-29	1	Bolt-on Edge STD-CTR	2	280	25	1025	MT2	3	1"	1J 5607	2J 3507	53,8
	4T 8091	001-000-93	10	End Bit STD-R/LH	2	342	25	160	MT2	2	1"	1J 5607	2J 3507	10,3
	1U 1896**	001-000-89	11	End Bit STD-R/LH-ANG	2	412/342	30	160	MT2	2	1"	1J 5607	2J 3507	13,5
	9W 3486	001-002-18	18	Bolt-on Edge AFM-RH	1	250	25	1025	MT2	3	1"	1J 5607	2J 3507	50,6
	9W 3487	001-002-19	18	Bolt-on Edge AFM-LH	1	250	25	1025	MT2	3	1"	1J 5607	2J 3507	50,6
	9W 3481	001-002-13	15	End Bit AFM-RH	1	300	25	160	MT2	2	1"	1J 5607	2J 3507	9,8
	9W 3482	001-002-14	14	End Bit AFM-LH	1	300	25	160	MT2	2	1"	1J 5607	2J 3507	9,8
	4T 6694	001-001-33	S1	Segment STD-CTR	7	280	25	225	MT2	2	1"	1J 5607	2J 3507	11,8
	8V 7214	001-P02-26	.	Base Edge STR-STD	1	250	25	2395	MT2	.	1"	.	.	112,3
	4V 1544	001-503-R05	2	Corner RH	1	210	25	207	MT2	1	1 1/4"	.	.	6,0
	4V 1545	001-503-L05	2	Corner LH	1	210	25	207	MT2	1	1 1/4"	.	.	6,0
	1U 0295	001-000-29	1	Bolt-on Edge STD-CTR	2	280	25	1025	MT2	3	1"	1J 5607	2J 3507	53,8
	4T 8091	001-000-93	10	End Bit STD-R/LH	2	342	25	160	MT2	2	1"	1J 5607	2J 3507	10,3
	1U 1896**	001-000-89	11	End Bit STD-R/LH-ANG	2	412/342	30	160	MT2	2	1"	1J 5607	2J 3507	13,5
	9W 3486	001-002-18	18	Bolt-on Edge AFM-RH	1	250	25	1025	MT2	3	1"	1J 5607	2J 3507	50,6
	9W 3487	001-002-19	18	Bolt-on Edge AFM-LH	1	250	25	1025	MT2	3	1"	1J 5607	2J 3507	50,6
	9W 3481	001-002-13	15	End Bit AFM-RH	1	300	25	160	MT2	2	1"	1J 5607	2J 3507	9,8
	9W 3482	001-002-14	14	End Bit AFM-LH	1	300	25	160	MT2	2	1"	1J 5607	2J 3507	9,8
<b>914G</b>	5G 8342	.	.	Base Edge STR-STD	1	200	20	2367	MT2	.	.	.	.	71,0
<b>Wheel</b>	5G 2806	001-516-R06	4	Corner RH	1	178	20	134	MT2	1	1"	.	.	3,0
<b>GEN.PURP. BUCKETS</b>	5G 2807	001-516-L06	4	Corner LH	1	178	20	134	MT2	1	1"	.	.	3,0
	9W 8620	.	.	Bolt-on Edge STD-CTR	1	254	20	1525	MT2	4	3/4"	4F 7827	2J 3506	58,1
	4T 2914	001-000-47	1	End-section STD-R/LH	2	254	20	433	MT2	2	3/4"	4F 7827	2J 3506	16,5
	128-2873	001-003-48	S1	Segment STD-CTR	7	203	19	265	MT2	2	3/4"	4F 7827	2J 3506	7,7
<b>910</b>	6S 6500*	001-P01-26	11	Base Edge STR-STD	1	200	20	2150	MT2	12	3/4"	.	.	64,5
<b>Wheel</b>	5G 2806	001-516-R06	4	Corner RH	1	178	20	134,0	MT2	1	1"	.	.	3,0
<b>GEN.PURP. BUCKETS</b>	5G 2807	001-516-L06	4	Corner LH	1	178	20	134,0	MT2	1	1"	.	.	3,0
	4T 2920	001-000-33	1	Bolt-on Edge STD-CTR	1	254	20	969	MT2	3	3/4"	4F 7827	2J 3506	36,9
	4T 2918	001-001-77	1	End-section STD-R/LH	2	254	20	585,4	MT2	2	3/4"	4F 7827	2J 3506	22,3
	5G 3085	001-P01-26	11	Base Edge STR-STD	1	200	20	2150	MT2	12	3/4"	.	.	64,5
	5G 2806	001-516-R06	4	Corner RH	1	178	20	134,0	MT2	1	1"	.	.	3,0
	5G 2807	001-516-L06	4	Corner LH	1	178	20	134,0	MT2	1	1"	.	.	3,0
	4T 2913	001-000-08	1	Bolt-on Edge STD-CTR	1	254	20	1308	MT2	3	3/4"	4F 7827	2J 3506	49,8
	4T 2914	001-000-47	1	End-section STD-R/LH	2	254	20	433	MT2	2	3/4"	4F 7827	2J 3506	16,5
	5G 6133	.	.	Base Edge STR-STD	1	200	20	2150	MT2	.	3/4"	.	.	64,5
	5G 2806	001-516-R06	4	Corner RH	1	178	20	134,0	MT2	1	1"	.	.	3,0
	5G 2807	001-516-L06	4	Corner LH	1	178	20	134,0	MT2	1	1"	.	.	3,0
	4T 2913	001-000-08	1	Bolt-on Edge STD-CTR	1	254	20	1308	MT2	3	3/4"	4F 7827	2J 3506	49,8
	4T 2914	001-000-47	1	End-section STD-R/LH	2	254	20	433	MT2	2	3/4"	4F 7827	2J 3506	16,5
	128-2873	001-003-48	S1	Segment STD-CTR	6	203	19	265	MT2	2	3/4"	4F 7827	2J 3506	7,7
	5G 8763	.	.	Base Edge	1	.	.	.	.	.	.	.	.	.

\*6S 6500 replaced by 5G 3085.\*\*Optional

# CATERPILLAR-LOADERS

Base Edges, Bolt-on Edges, End Bits and Segments



**T O U G H  
C O M P O N E N T S**

Tractor Type	O.E.M.Part Number	MTM Part Number	Ref.	Description	No Pcs	Millimeters			Ql. ty.	Nr. H.	FASTENERS			W. Kg.
						W	T	L			Ø	Bolts	Nuts	
<b>910</b>	<b>5G 2806</b>	001-516-R06	4	Corner RH	1	178	20	134,0	MT2	1	1"	.	.	3,0
<b>Wheel</b>	<b>5G 2807</b>	001-516-L06	4	Corner LH	1	178	20	134,0	MT2	1	1"	.	.	3,0
<b>GEN.PURP. BUCKETS</b>	<b>9W 8694</b>	.	.	Bolt-on Edge STD-CTR	1	254	20	1422	MT2	.	3/4"	4F 7827	2J 3506	51,5
	<b>4T 2914</b>	001-O00-47	1	End-section STD-R/LH	2	254	20	433	MT2	2	3/4"	4F 7827	2J 3506	16,5
	<b>128-2872</b>	001-O03-49	S1	Segment STD-CTR	4	203	19	323	MT2	2	3/4"	4F 7827	2J 3506	9,3
	<b>128-2873</b>	001-O03-48	S1	Segment STD-CTR	2	203	19	265	MT2	2	3/4"	4F 7827	2J 3506	7,7
	<b>5G 8342</b>	.	.	Base Edge STR-STD	1	200	20	2367	MT2	.	.	.	.	71,0
	<b>5G 2806</b>	001-516-R06	4	Corner RH	1	178	20	134	MT2	1	1"	.	.	3,0
	<b>5G 2807</b>	001-516-L06	4	Corner LH	1	178	20	134	MT2	1	1"	.	.	3,0
	<b>9W 8620</b>	.	.	Bolt-on Edge STD-CTR	1	254	20	1525	MT2	4	3/4"	4F 7827	2J 3506	58,1
	<b>4T 2914</b>	001-O00-47	1	End-section STD-R/LH	2	254	20	433	MT2	2	3/4"	4F 7827	2J 3506	16,5
	<b>128-2873</b>	001-O03-48	S1	Segment STD-CTR	7	203	19	265	MT2	2	3/4"	4F 7827	2J 3506	7,7
	<b>5G 2809</b>	001-P01-28	11	Base Edge STR-STD	1	200	20	2080	MT2	12	3/4"	.	.	62,4
	<b>5G 2806</b>	001-516-R06	4	Corner RH	1	178	20	134	MT2	1	1"	.	.	3,0
	<b>5G 2807</b>	001-516-L06	4	Corner LH	1	178	20	134	MT2	1	1"	.	.	3,0
	<b>4T 8796</b>	001-O00-10	1	Bolt-on Edge STD-CTR	1	254	20	1238	MT2	3	3/4"	4F 7827	2J 3506	47,2
<b>4T 2914</b>	001-O00-47	1	End-section STD-R/LH	2	254	20	433	MT2	2	3/4"	4F 7827	2J 3506	16,5	