

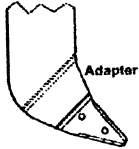




**T O U G H
C O M P O N E N T S**

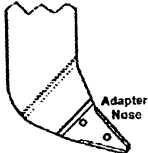
CATERPILLAR

RIPPER

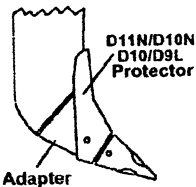
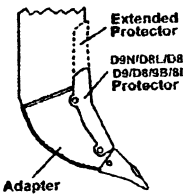


1- Adapters

Ripper adapters are welded to shanks, making it possible to convert competitive shanks to Caterpillar GET.



2- Nose adapter

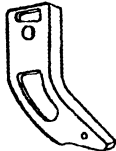


3- Protectors

Protectors shield the adapters and lower portion of the shank from wear and impact. Failure to use a protector with a large ripper could result in early shank and/or adapter replacement due to wear and damage.



4- Shank straight



5- Shank curved



6- Penetration tip

Use in conditions where penetration is difficult. Tips are available in three different lengths in most sizes.



7- Penetration AFM tip

Provides the best penetration but the least wear material. Use only when the need for more penetration overcomes the need for wear life.



8- Centerline tip

Use in abrasive conditions (laminated or stratified materials) where penetration is not a problem. Tips are available in three different lengths in most sizes.



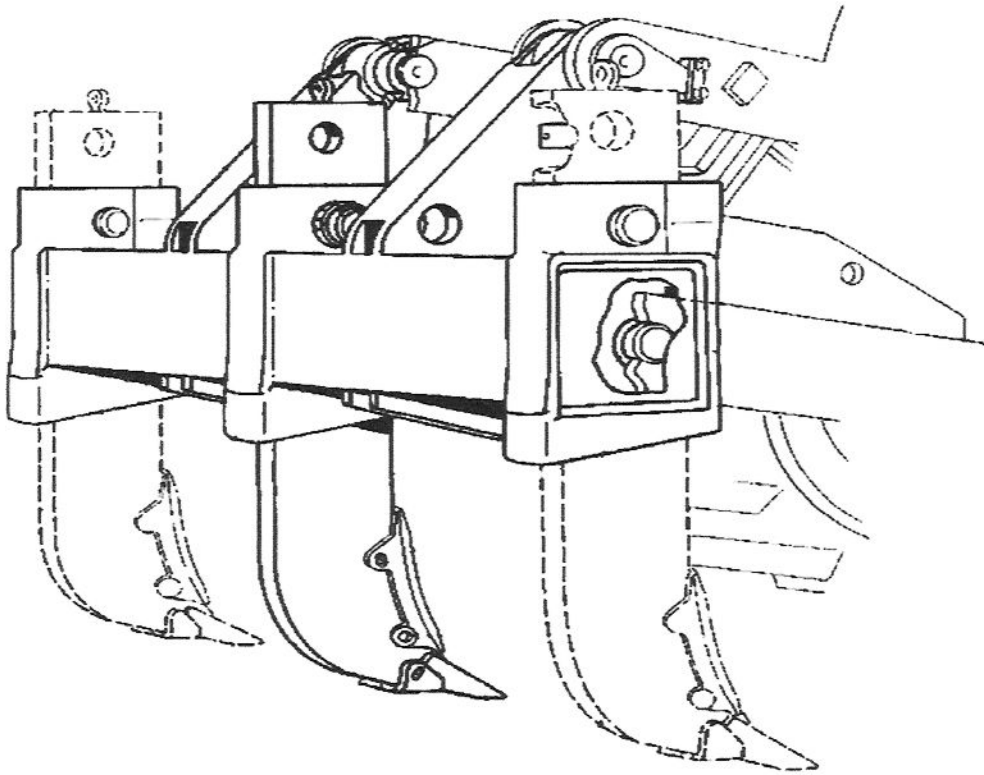
9- Centerline AFM tip

CATERPILLAR-RIPPERS

Complete Shank, Tips, Adapters, Protectors, Pins and Retainers

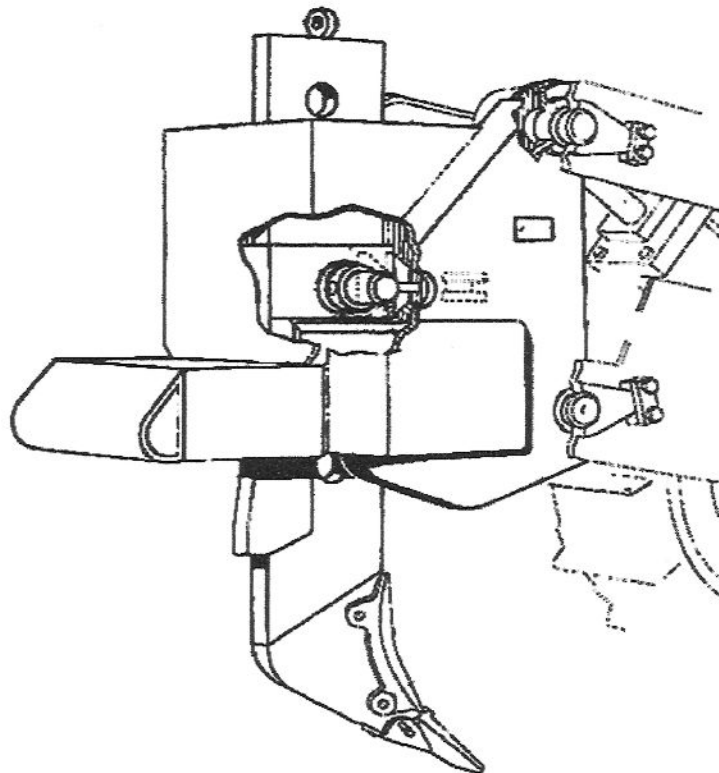


**T O U G H
C O M P O N E N T S**



TYPE RIPPER SHANK ASSEMBLY

- Single Shank (SS)
- Deep Ripping (DR)
- Multi Shank (MS)



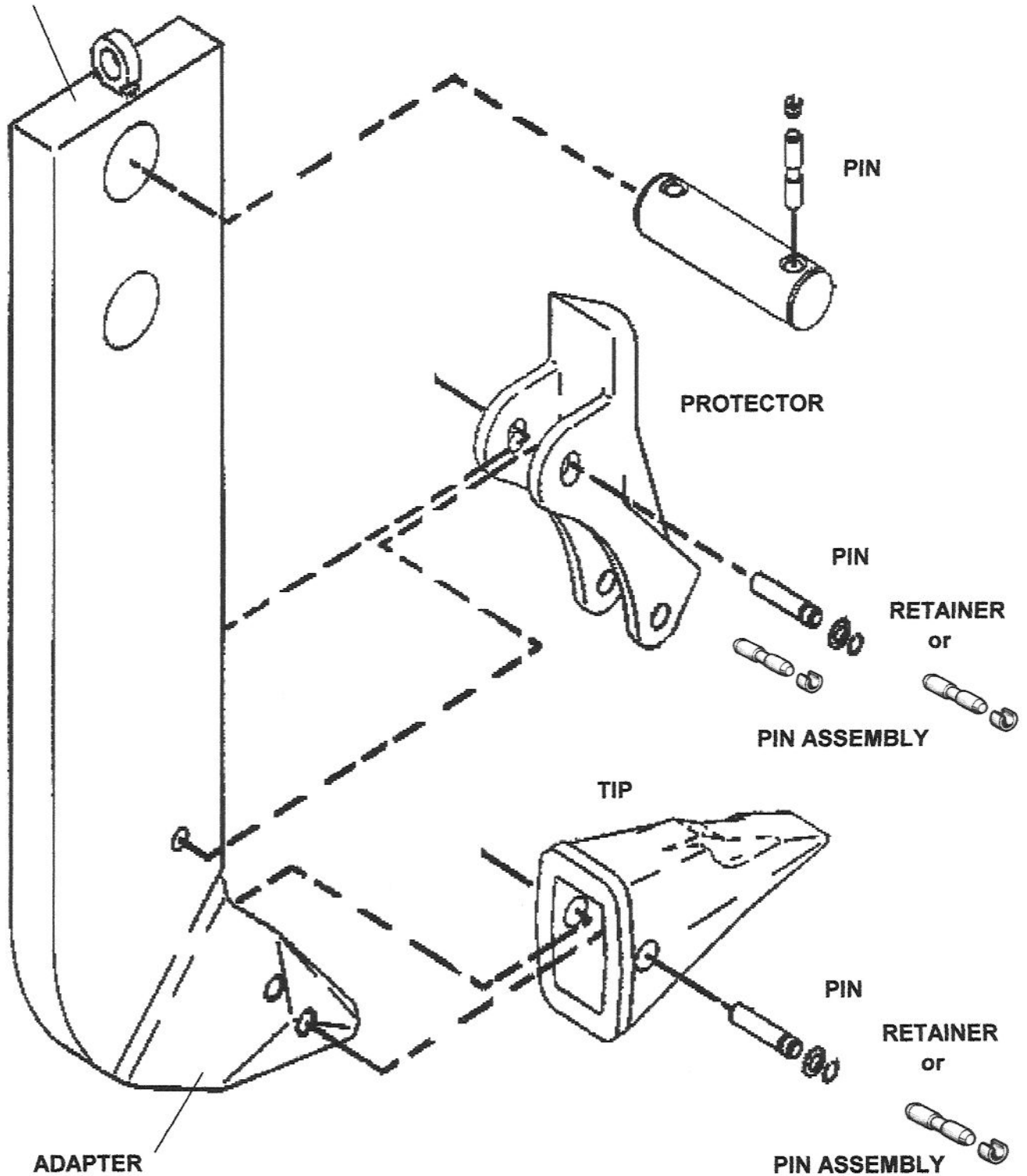
CATERPILLAR-RIPPERS

Complete Shank, Tips, Adapters, Protectors, Pins and Retainers



**T O U G H
C O M P O N E N T S**

SHANK COMPLETE

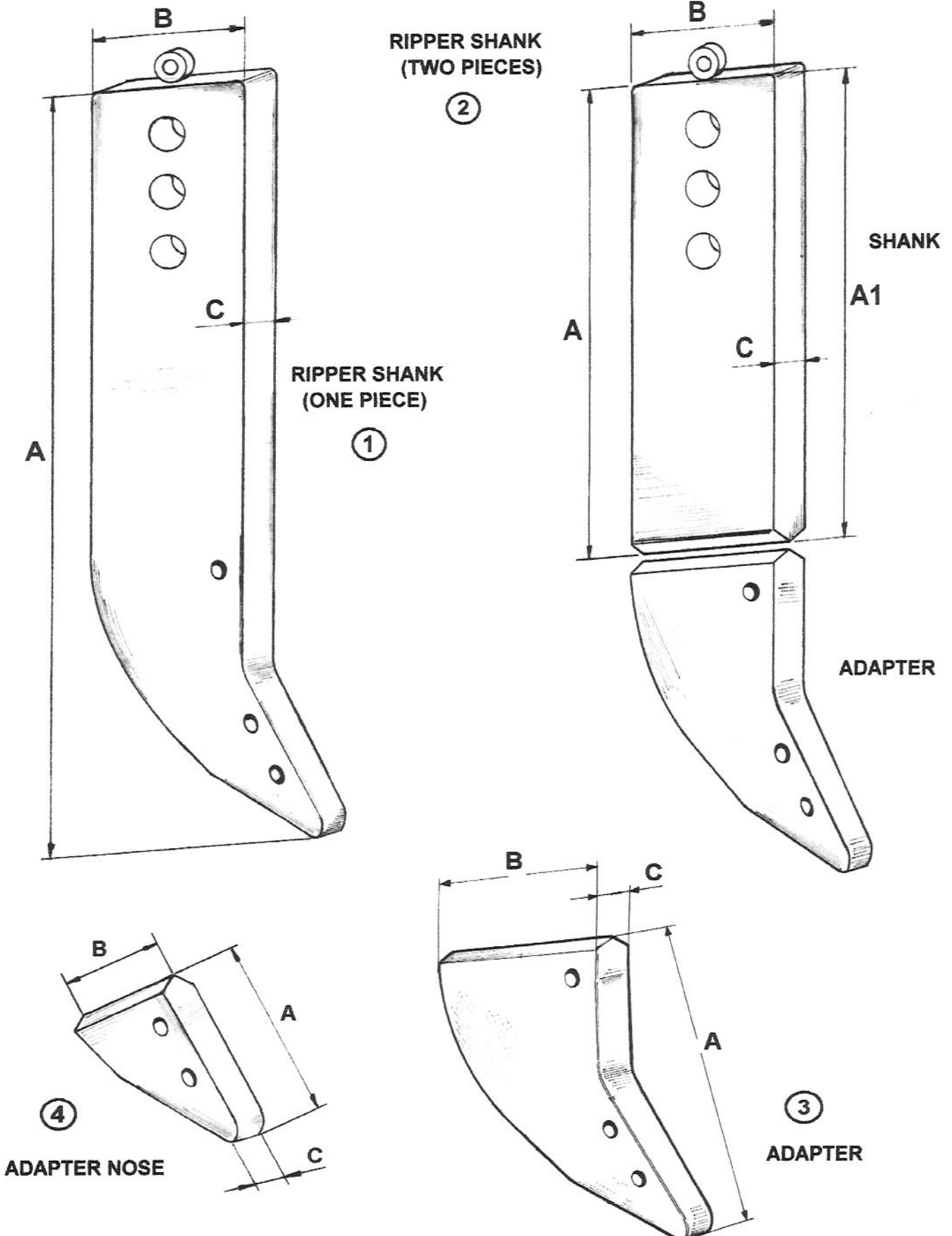


CATERPILLAR-RIPPERS

Complete Shank, Tips, Adapters, Protectors, Pins and Retainers



**TOUGH
COMPONENTS**



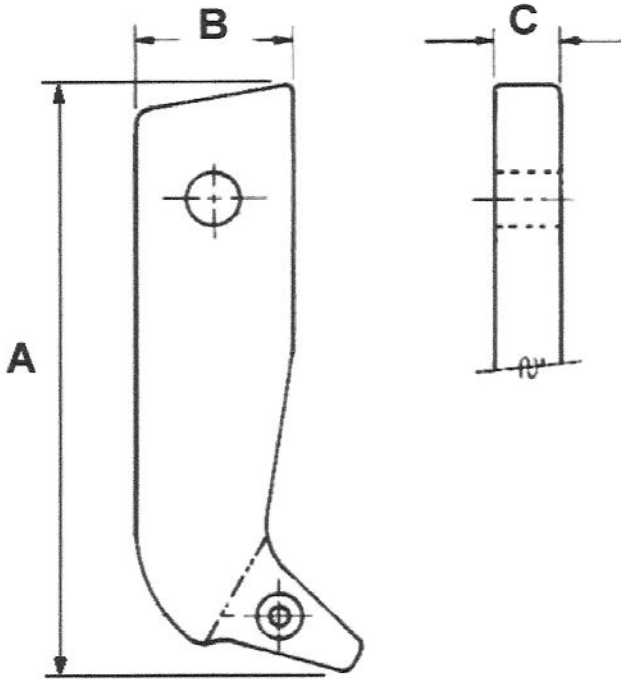
CATERPILLAR-RIPPERS

Complete Shank, Tips, Adapters, Protectors, Pins and Retainers

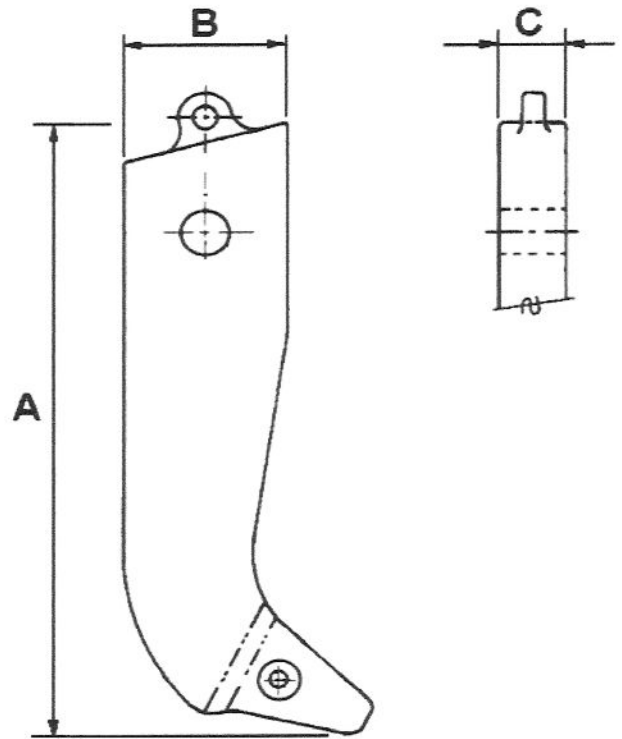


**T O U G H
C O M P O N E N T S**

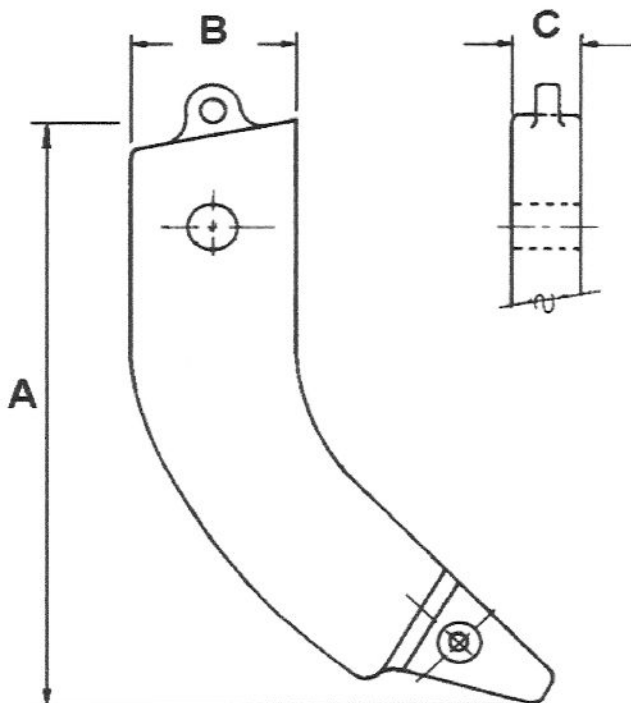
① SMALL RIPPER SHANK Straight



② SMALL RIPPER SHANK Straight



③ SMALL RIPPER SHANK Curved

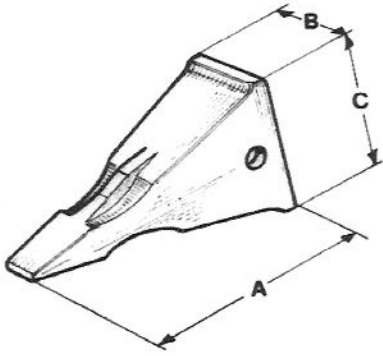


CATERPILLAR-RIPPERS

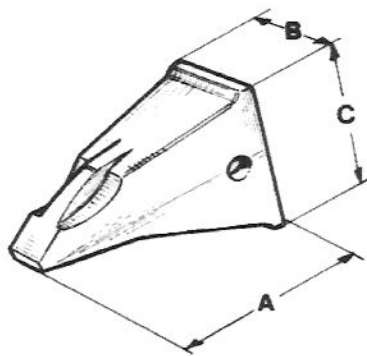
Complete Shank, Tips, Adapters, Protectors, Pins and Retainers



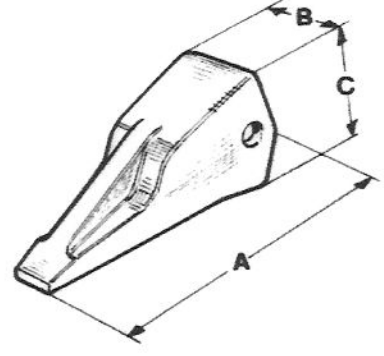
**T O U G H
C O M P O N E N T S**



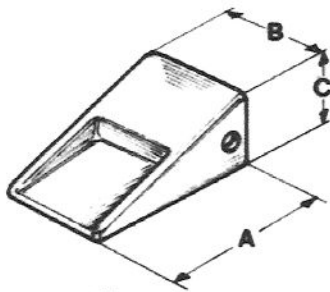
TIP CENTERLINE ①



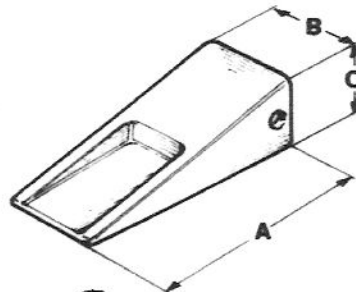
TIP CENTERLINE SHORT ②



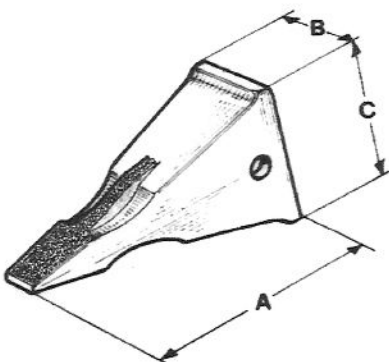
TIP PENETRATION ③



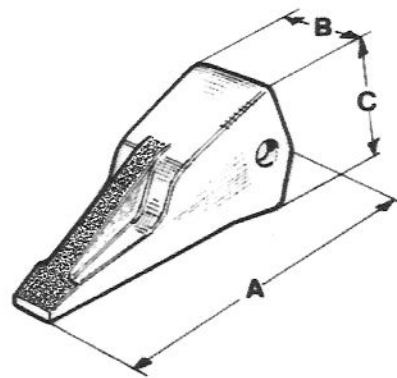
TIP SHORT ④



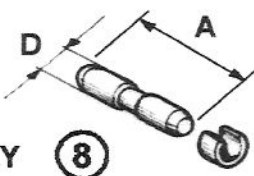
TIP LONG ⑤



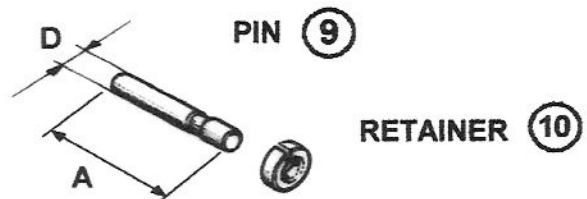
TIP CENTERLINE AFM ⑥



TIP PENETRATION AFM ⑦



PIN ASSEMBLY ⑧



PIN ⑨

RETAINER ⑩

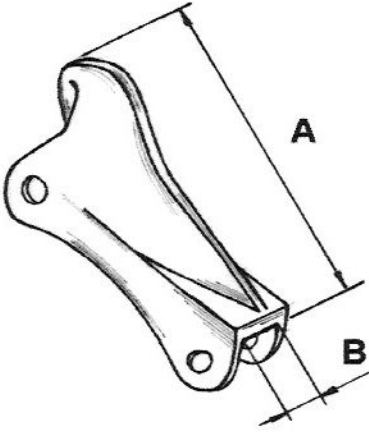
CATERPILLAR-RIPPERS

Complete Shank, Tips, Adapters, Protectors, Pins and Retainers

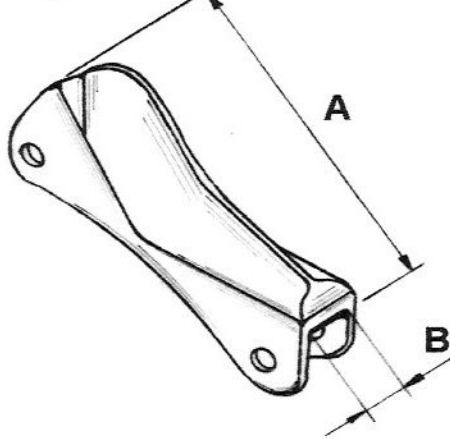


**T O U G H
C O M P O N E N T S**

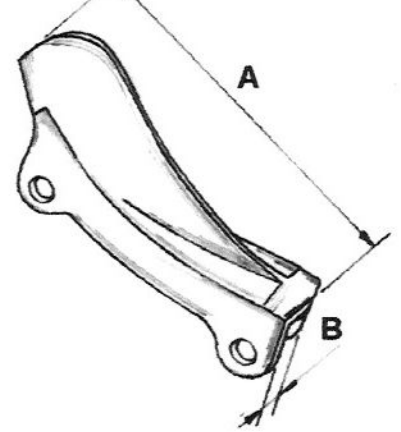
**SHARPENED
PROTECTOR** ①
Multi Shank



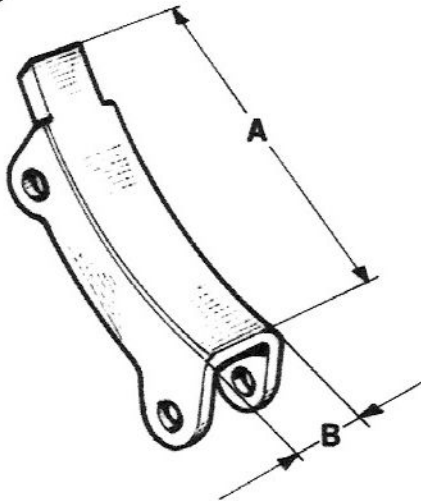
**SHARPENED
PROTECTOR** ②
Single Shank



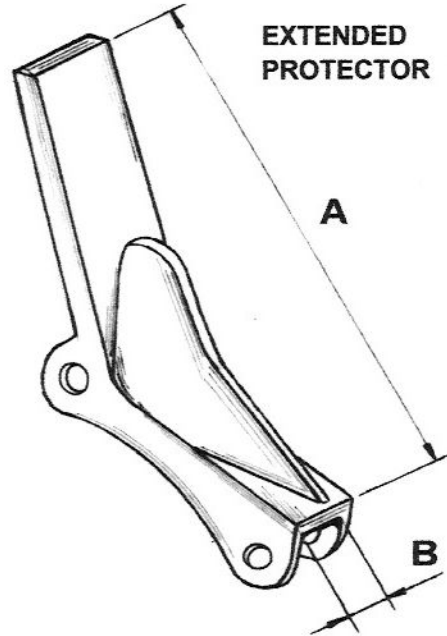
**SHARPENED
PROTECTOR** ③
Multi Shank



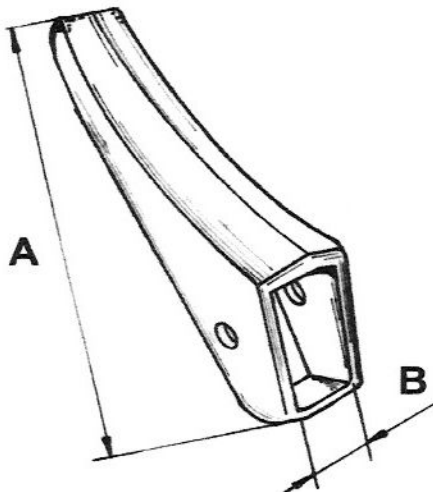
**STANDARD
PROTECTOR** ④



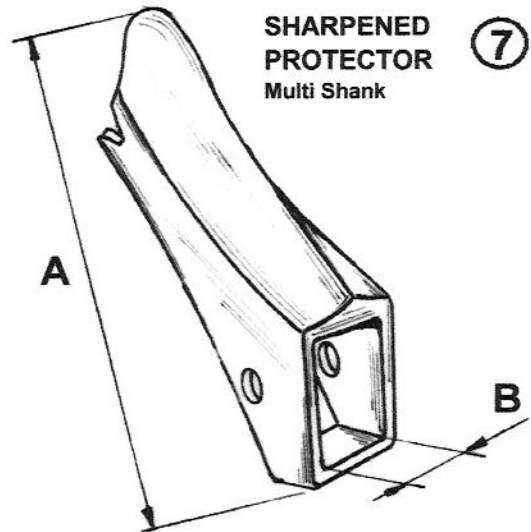
**EXTENDED
PROTECTOR** ⑤



**SHARPENED
PROTECTOR** ⑥
Multi Shank



**SHARPENED
PROTECTOR** ⑦
Multi Shank

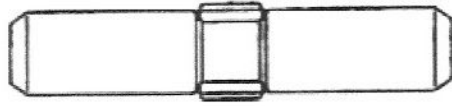


CATERPILLAR-RIPPERS

Complete Shank, Tips, Adapters, Protectors, Pins and Retainers

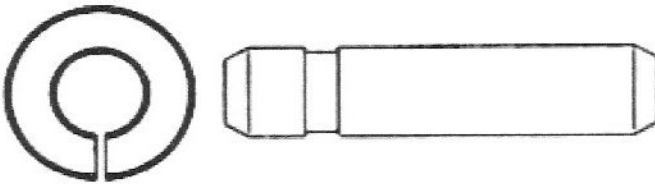


**T O U G H
C O M P O N E N T S**



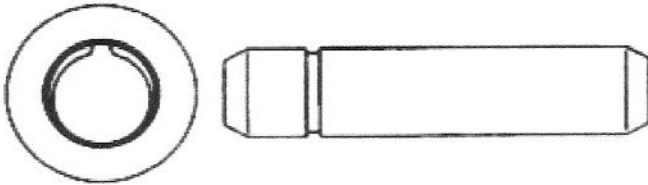
Type A

Pin assembly with prong clip
(Center Ring)



Type B

Bucket style pin and retainer

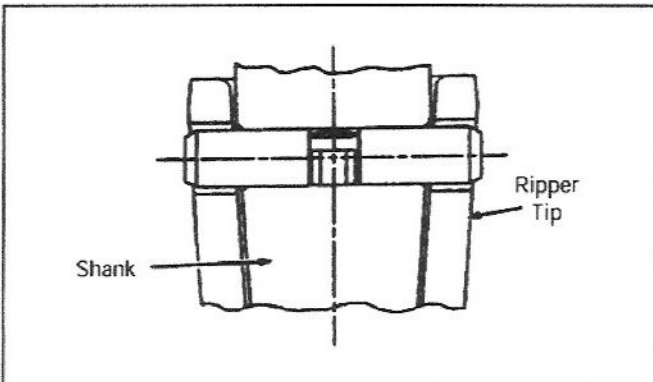


Type C

Impact ripper style pin and
retainer assembly with snap ring

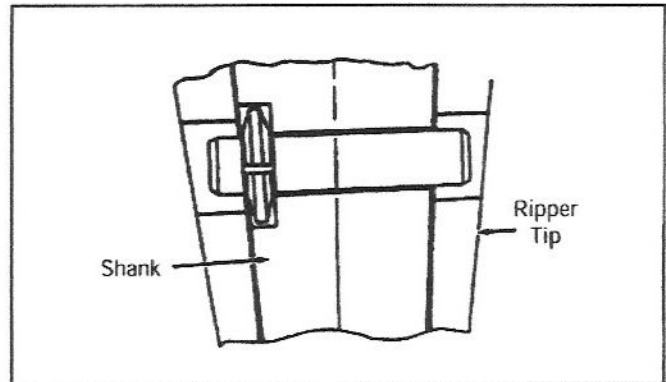
Pins

OLD



Former 102-9062 Pin Assembly

NEW



Bucket Style Pin and Retainer
6Y3909 Pin, 4T4707 Retainer

CATERPILLAR-RIPPERS

Complete Shank, Tips, Adapters, Protectors, Pins and Retainers



**T O U G H
C O M P O N E N T S**

Mach. Type	O.E.M. Part Nr New and old	MTM Nr.	Description	Ref.	Millimeters					Weight Kg.
					A	B	C	D	Ø	
D11N	104-9277 7T 6020	001-415	Ripper Shank (One Piece Shank)	1	2733	450	110		114	990,0
Single Shank	9W 4551	001-138	Tip Short Centerline	2	456	180	273			40,8
	9W 4552	001-139	Tip Interm. Centerline	1	540	180	273			48,5
	6Y 3552	001-187	Tip Interm. Penetration	3	540	180	273			45,5
	122-2552	.	Tip Interm. Centerline AFM	6	540	180	273			50,0
	135-9552	.	Tip Interm. Penetration AFM	7	540	180	273			47,0
	6Y 2443 9W 1821	.	Pin Assembly	8	170			35		1,0
	8E 2229	.	Pin	9	170			35		1,2
	8E 2230	.	Retainer	10				70		0,2
	9N 4621	001-405	Protector Sharpened	2	740	120				82,0
	6Y 2443 9W 1821	.	Pin Assembly	8	170			35		1,0
	104-9279 9W 1811	001-408	Adapter	3	800	500	110			130,0
	8E 2229	.	Pin	9	170			35		1,2
	8E 2230	.	Retainer	10				70		0,2
	9N 4245 (Disposable)	001-324	Pin (Impact Ripper Style)	9	170			35		1,2
	6Y 1205 (Disposable)	.	Retainer (Impact Ripper Style)	10				70		0,2
Single Shank	8E 0467	001-415	Ripper Shank (One Piece Shank)	1	2733	450	110		114	990,0
Single Shank	104-9277 7T 6020	001-415	Ripper Shank (One Piece Shank)	1	2733	450	110		114	990,0
	9W 4551	001-138	Tip Short Centerline	2	456	180	273			40,8
	9W 4552	001-139	Tip Interm. Centerline	1	540	180	273			48,5
	6Y 3552	001-187	Tip Interm. Penetration	3	540	180	273			45,5
	122-2552	.	Tip Interm. Centerline AFM	6	540	180	273			50,0
	135-9552	.	Tip Interm. Penetration AFM	7	540	180	273			47,0
	8E 2229	.	Pin	9	170			35		1,2
	8E 2230	.	Retainer	10				70		0,2
	9N 4245 (Disposable)	001-324	Pin (Impact Ripper Style)	9	170			35		1,2
	6Y 1205 (Disposable)	.	Retainer (Impact Ripper Style)	10				70		0,2
	9N 4621	001-405	Protector Sharpened	2	740	120				82,0
	9N 4245 (Disposable)	001-324	Pin (Impact Ripper Style)	9	170			35		1,2
	6Y 1205 (Disposable)	.	Pin Retainer (Impact Ripper Style)	9				70		0,2
	104-9279 9W 1811	001-408	Adapter	3	800	500	110			130,0
	8E 2229	.	Pin	9	170			35		1,2
	8E 2230	.	Retainer	10				70		0,2
	9N 4245 (Disposable)	001-324	Pin (Impact Ripper Style)	9	170			35		1,2
	6Y 1205 (Disposable)	.	Retainer (Impact Ripper Style)	10				70		0,2
Deep Rip	9W 0259	001-423	Ripper Shank (One Piece Shank)	1	3290	450	110			1190,0
	9W 4551	001-138	Tip Short Centerline	2	456	180	273			40,8
	9W 4552	001-139	Tip Interm. Centerline	1	540	180	273			48,5
	6Y 3552	001-187	Tip Interm. Penetration	3	540	180	273			45,5
	122-2552	.	Tip Interm. Centerline AFM	6	540	180	273			50,0
	135-9552	.	Tip Interm. Penetration AFM	7	540	180	273			47,0
	6Y 2443 9W 1821	.	Pin	9	170			35		1,0
	9N 4621	001-405	Protector Sharpened	2	740	120				82,0
	6Y 2443 9W 1821	.	Pin Assembly	8	170			35		1,0
cont.	104-9279 9W 1811	001-408	Adapter	3	800	500	110			130,0

CATERPILLAR-RIPPERS

Complete Shank, Tips, Adapters, Protectors, Pins and Retainers



**T O U G H
C O M P O N E N T S**

Mach. Type	O.E.M. Part Nr New and old	MTM Nr.	Description	Ref.	Millimeters					Weight Kg.
					A	B	C	D	Ø	
D11N	8E 2229	.	Pin	9	170			35		1,2
	8E 2230	.	Retainer	10				70		0,2
	9N 4245 (Disposable)	001-324	Pin (Impact Ripper Style)	9	170			35		1,2
	6Y 1205 (Disposable)	.	Retainer (Impact Ripper Style)	10				70		0,2
Deep Rip	8E 1466	001-424	Ripper Shank (One Piece Shank)	1	3290	450	110	.	114	1215,0
Deep Rip	104-9275	001-424	Ripper Shank (One Piece Shank)	1	3290	450	110	.	114	1215,0
	9W 4551	001-138	Tip Short Centerline	2	456	180	273	.	.	40,8
	9W 4552	001-139	Tip Interm. Centerline	1	540	180	273	.	.	48,5
	6Y 3552	001-187	Tip Interm. Penetration	3	540	180	273	.	.	45,5
	122-2552	.	Tip Interm. Centerline AFM	6	540	180	273	.	.	50,0
	135-9552	.	Tip Interm. Penetration AFM	7	540	180	273	.	.	47,0
	8E 2229	.	Pin	9	170	.	.	35	.	1,2
	8E 2230	.	Retainer	10	.	.	.	70	.	0,2
	9N 4245 (Disposable)	001-324	Pin (Impact Ripper Style)	9	170	.	.	35	.	1,2
	6Y 1205 (Disposable)	.	Retainer (Impact Ripper Style)	10	.	.	.	70	.	0,2
	9N 4621	001-405	Protector Sharpened	2	740	120	.	.	.	82,0
	9N 4245 (Disposable)	001-324	Pin (Impact Ripper Style)	9	170	.	.	35	.	1,2
	6Y 1205 (Disposable)	.	Pin Retainer (Impact Ripper Style)	9	.	.	.	70	.	0,2
	104-9279 9W 1811	001-408	Adapter	3	800	500	110	.	.	130,0
	8E 2229	.	Pin	9	170	.	.	35	.	1,2
	8E 2230	.	Retainer	10				70		0,2
	9N 4245 (Disposable)	001-324	Pin (Impact Ripper Style)	9	170	.	.	35	.	1,2
	6Y 1205 (Disposable)	.	Retainer (Impact Ripper Style)	10	.	.	.	70	.	0,2
	Multi Shank	6Y 5616 3G 6507	001-419	Ripper Shank (One Piece Shank)	1	1980	400	100		
	4T 4501 1U 4501	001-127	Tip Short Centerline	2	27,0
	4T 4502 1U 4502	001-128	Tip Interm. Centerline	1	440	152	218	.	.	27,0
	8E 8503 4T 4503	001-140	Tip Long Centerline	1	480	158	216	.	.	30,0
	4T 5501 3G 6501	001-141	Tip Short Penetration	3	380	147	214	.	.	24,0
	4T 5502 3G 6502	001-142	Tip Interm. Penetration	3	440	152	218	.	.	27,5
	4T 5503 3G 6503	001-143	Tip Long Penetration	3	480	153	223	.	.	28,0
	8E 5772	.	Tip interm. AFM Penet.	7	440	152	218			29,5
	8E 5774	.	Tip interm. AFM Cent.	6	440	152	218			29,0
	102-9062 3G 0500	001-307	Pin Assembly	8	153			32		0,9
	3G 9594	001-404	Protector Standard	6		105				25,0
	102-9062 3G 0500	001-307	Pin Assembly	8	153			32		0,9
	1U 3630	001-409	Adapter	3	611	442	100			107,0
	103-8114		Nose Adapter	4	220	260	90			41,0
	102-9062 3G 0500	001-307	Pin Assembly	8	153			32		0,9
	6Y 1202(Disposable)	001-383	Retainer (Impact Ripper Style)	10				64		0,2
6Y 1204 (Disposable)	001-358	Pin (Impact Ripper Style)	9	153			32		0,9	
Multi Shank	6Y 5616 1U 4873	001-419	Ripper Shank (One Piece Shank)	1	1980	400	100			570,0
Multi Shank	6Y 5616 7T 5131	001-419	Ripper Shank (One Piece Shank)	1	1980	400	100			570,0
cont.	4T 4501 1U 4501	001-127	Tip Short Centerline	2	27,0
	4T 4502 1U 4502	001-128	Tip Interm. Centerline	1	440	152	218	.	.	27,0
	8E 8503 4T 4503	001-140	Tip Long Centerline	1	477	158	216	.	.	30,0

CATERPILLAR-RIPPERS

Complete Shank, Tips, Adapters, Protectors, Pins and Retainers



**T O U G H
C O M P O N E N T S**

Mach. Type	O.E.M. Part Nr New and old	MTM Nr.	Description	Ref.	Millimeters					Weight Kg.	
					A	B	C	D	Ø		
D11N	4T 5501 3G 6501	001-141	Tip Short Penetration	3	380	147	214	.	.	24,0	
	4T 5502 3G 6502	001-142	Tip Interm. Penetration	3	440	152	218	.	.	27,5	
	4T 5503 3G 6503	001-143	Tip Long Penetration	3	480	153	223	.	.	28,0	
	8E 5772	.	Tip interm. AFM Penet.	7	440	152	218			29,5	
	8E 5774	.	Tip interm. AFM Cent.	6	440	152	218			29,0	
	102-9062 3G 0500	001-307	Pin Assembly	8	153			32		0,9	
	6Y 9704	001-401	Protector Sharpened	7	740	96				58,5	
	8J 4889	.	Pin Retainer	9	115			35		0,5	
	102-9062 3G 0500	001-307	Pin Assembly	8	153			32		0,9	
	1U 3630	001-409	Adapter	3	611	442	102			107,0	
	103-8114		Nose Adapter	4	220	260	90			41,0	
	102-9062 3G 0500	001-307	Pin Assembly	8	153			32		0,9	
	6Y 1202(Disposable)	001-383	Retainer (Impact Ripper Style)	10				64		0,2	
	6Y 1204 (Disposable)	001-358	Pin (Impact Ripper Style)	9	153			32		0,9	
	Multi Shank	6Y 5616 3G 6507	001-419	Ripper Shank (One Piece Shank)	1	1980	400	100			570,0
4T 4501 1U 4501		001-127	Tip Short Centerline	2	27,0	
4T 4502 1U 4502		001-128	Tip Interm. Centerline	1	440	152	218	.	.	27,0	
8E 8503 4T 4503		001-140	Tip Long Centerline	1	477	158	216	.	.	30,0	
4T 5501 3G 6501		001-141	Tip Short Penetration	3	380	147	214	.	.	24,0	
4T 5502 3G 6502		001-142	Tip Interm. Penetration	3	440	152	218	.	.	27,5	
4T 5503 3G 6503		001-143	Tip Long Penetration	3	480	153	223	.	.	28,0	
8E 5772		.	Tip interm. AFM Penet.	7	440	152	218			29,5	
8E 5774		.	Tip interm. AFM Cent.	6	440	152	218			29,0	
102-9062 3G 0500		001-307	Pin Assembly	8	153			32		0,9	
6Y 8960		.	Protector Sharpened	1	600	108				39,4	
102-9062 3G 0500		001-307	Pin Assembly	8	153			32		0,9	
103-8115 9W9695		001-410	Adapter	3	760	450	90			72,0	
107-3361			Nose Adapter	4	260	350	90			44,5	
6Y 1202(Disposable)		001-383	Retainer (Impact Ripper Style)	10				64		0,2	
6Y 1204 (Disposable)		001-358	Pin (Impact Ripper Style)	9	153	.	.	32	.	0,9	
6Y 3909		001-357	Pin	9	153			32		0,9	
4T 4707		001-335	Retainer	10				64		0,2	
Multi Shank	8E 8413		Ripper Shank (One Piece Shank)	1	1980	400	100		51	570,0	
	4T 4501 1U 4501	001-127	Tip Short Centerline	2	27,0	
	4T 4502 1U 4502	001-128	Tip Interm. Centerline	1	440	152	218	.	.	27,0	
	8E 8503 4T 4503	001-140	Tip Long Centerline	1	477	158	216	.	.	30,0	
	4T 5501 3G 6501	001-141	Tip Short Penetration	3	380	147	214	.	.	24,0	
	4T 5502 3G 6502	001-142	Tip Interm. Penetration	3	440	152	218	.	.	27,5	
	4T 5503 3G 6503	001-143	Tip Long Penetration	3	480	153	223	.	.	28,0	
	8E 5772	.	Tip interm. AFM Penet.	7	440	152	218			29,5	
	8E 5774	.	Tip interm. AFM Cent.	6	440	152	218			29,0	
	6Y 1202(Disposable)	001-383	Retainer (Impact Ripper Style)	10				64		0,2	
	6Y 1204 (Disposable)	001-358	Pin (Impact Ripper Style)	9	153	.	.	32	.	0,9	
	6Y 3909	001-357	Pin	9	153	.	.	32	.	0,9	
	cont.	4T 4707	001-335	Retainer	10				64		0,2

CATERPILLAR-RIPPERS

Complete Shank, Tips, Adapters, Protectors, Pins and Retainers



**T O U G H
C O M P O N E N T S**

Mach. Type	O.E.M. Part Nr New and old	MTM Nr.	Description	Ref.	Millimeters					Weight Kg.
					A	B	C	D	Ø	
D11N	6Y 8960	.	Protector Sharpened	1	600	108				39,4
	6Y 1202(Disposable)	001-383	Retainer (Impact Ripper Style)	10				64		0,2
	6Y 1204 (Disposable)	001-358	Pin (Impact Ripper Style)	9	153			32		0,9
	6Y 3909	001-357	Pin	9	153			32		0,9
	4T 4707	001-335	Retainer	10				64		0,2
	103-8115 9W9695	001-410	Adapter	3	760	450	90			72,0
	107-3361		Nose Adapter	4	260	350	90			44,5
	6Y 1202(Disposable)	001-383	Retainer (Impact Ripper Style)	10				64		0,2
	6Y 1204 (Disposable)	001-358	Pin (Impact Ripper Style)	9	153			32		0,9
	6Y 3909	001-357	Pin	9	153			32		0,9
	4T 4707	001-335	Retainer	10				64		0,2
D11R	8E 0467	001-415	Ripper Shank (One Piece Shank)s.s	1	2733	450	110		114	990,0
Single Shank	104-9277	001-415	Ripper Shank (One Piece Shank)	1	2733	450	110		114	990,0
	9W 4551	001-138	Tip Short Centerline	2	456	180	273			40,8
	9W 4552	001-139	Tip Interm. Centerline	1	540	180	273			48,5
	6Y 3552	001-187	Tip Interm. Penetration	3	540	180	273			45,5
	122-2552		Tip Interm. Centerline AFM	6	540	180	273			50,0
	135-9552		Tip Interm. Penetration AFM	7	540	180	273			47,0
	8E 2229		Pin	9	170			35		1,2
	8E 2230		Retainer	10				70		0,2
	9N 4245 (Disposable)	001-324	Pin (Impact Ripper Style)	9	170			35		1,2
	6Y 1205 (Disposable)		Retainer (Impact Ripper Style)	10				70		0,2
	9N 4621	001-405	Protector Sharpened	2	740	120				82,0
	9N 4245 (Disposable)	001-324	Pin (Impact Ripper Style)	9	170			35		1,2
	6Y 1205 (Disposable)		Pin Retainer (Impact Ripper Style)	9				70		0,2
Deep Rip	8E 1466	001-424	Ripper Shank (One Piece Shank)	1	3290	450	110		114	1215,0
Deep Rip	104-9275	001-424	Ripper Shank (One Piece Shank)	1	3290	450	110		114	1215,0
Multi Shank	4Z 8814		Ripper Shank (One Piece Shank)	1	4166	450	110		114	
	9W 4551	001-138	Tip Short Centerline	2	456	180	273			40,8
	9W 4552	001-139	Tip Interm. Centerline	1	540	180	273			48,5
	6Y 3552	001-187	Tip Interm. Penetration	3	540	180	273			45,5
	122-2552		Tip Interm. Centerline AFM	6	540	180	273			50,0
	135-9552		Tip Interm. Penetration AFM	7	540	180	273			47,0
	8E 2229		Pin	9	170			35		1,2
	8E 2230		Retainer	10				70		0,2
	9N 4245 (Disposable)	001-324	Pin (Impact Ripper Style)	9	170			35		1,2
	6Y 1205 (Disposable)		Retainer (Impact Ripper Style)	10				70		0,2
	9N 4621	001-405	Protector Sharpened	2	740	120				82,0
	9N 4245 (Disposable)	001-324	Pin (Impact Ripper Style)	9	170			35		1,2
	6Y 1205 (Disposable)		Pin Retainer (Impact Ripper Style)	9				70		0,2
Multi Shank	8E 8413		Ripper Shank (One Piece Shank)	1	1980	400	100		51	570,0
	4T 4501 1U 4501	001-127	Tip Short Centerline	2						27,0
	4T 4502 1U 4502	001-128	Tip Interm. Centerline	1	440	152	218			27,0
	8E 8503 4T 4503	001-140	Tip Long Centerline	1	477	158	216			30,0
cont.	4T 5501 3G 6501	001-141	Tip Short Penetration	3	380	147	214			24,0

CATERPILLAR-RIPPERS

Complete Shank, Tips, Adapters, Protectors, Pins and Retainers



**T O U G H
C O M P O N E N T S**

Mach. Type	O.E.M. Part Nr New and old	MTM Nr.	Description	Ref.	Millimeters					Weight Kg.	
					A	B	C	D	Ø		
D11R	4T 5502 3G 6502	001-142	Tip Interm. Penetration	3	440	152	218	.	.	27,5	
	4T 5503 3G 6503	001-143	Tip Long Penetration	3	480	153	223	.	.	28,0	
	8E 5772	.	Tip interm. AFM Penet.	7	440	152	218	.	.	29,5	
	8E 5774	.	Tip interm. AFM Cent.	6	440	152	218	.	.	29,0	
	6Y 1202(Disposable)	001-383	Retainer (Impact Ripper Style)	10	.	.	.	64	.	0,2	
	6Y 1204 (Disposable)	001-358	Pin (Impact Ripper Style)	9	153	.	.	32	.	0,9	
	6Y 3909	001-357	Pin	9	153	.	.	32	.	0,9	
	4T 4707	001-335	Retainer	10	.	.	.	64	.	0,2	
	6Y 8960	.	Protector Sharpened	1	600	108	.	.	.	39,4	
	6Y 1202(Disposable)	001-383	Retainer (Impact Ripper Style)	10	.	.	.	64	.	0,2	
	6Y 1204 (Disposable)	001-358	Pin (Impact Ripper Style)	9	153	.	.	32	.	0,9	
	6Y 3909	001-357	Pin	9	153	.	.	32	.	0,9	
	4T 4707	001-335	Retainer	10	.	.	.	64	.	0,2	
	103-8115 9W9695	001-410	Adapter	3	760	450	90	.	.	72,0	
	107-3361	.	Nose Adapter	4	260	350	90	.	.	44,5	
	6Y 1202(Disposable)	001-383	Retainer (Impact Ripper Style)	10	.	.	.	64	.	0,2	
	6Y 1204 (Disposable)	001-358	Pin (Impact Ripper Style)	9	153	.	.	32	.	0,9	
	6Y 3909	001-357	Pin	9	153	.	.	32	.	0,9	
	4T 4707	001-335	Retainer	10	.	.	.	64	.	0,2	
	D10	3G 5707	.	Ripper Shank (One Piece Shank)	1	.	400	100	.	.	241,0
Single Shank	4T 4501 1U 4501	001-127	Tip Short Centerline	2	27,0	
	4T 4502 1U 4502	001-128	Tip Interm. Centerline	1	440	152	218	.	.	27,0	
	8E 8503 4T 4503	001-140	Tip Long Centerline	1	477	158	216	.	.	30,0	
	4T 5501 3G 6501	001-141	Tip Short Penetration	3	380	147	214	.	.	24,0	
	4T 5502 3G 6502	001-142	Tip Interm. Penetration	3	440	152	218	.	.	27,5	
	4T 5503 3G 6503	001-143	Tip Long Penetration	3	480	153	223	.	.	28,0	
	8E 5772	.	Tip interm. AFM Penet.	7	440	152	218	.	.	29,5	
	8E 5774	.	Tip interm. AFM Cent.	6	440	152	218	.	.	29,0	
	102-9062 3G 0500	001-307	Pin Assembly	8	153	.	.	32	.	0,9	
	3G 9594	001-404	Protector Standard	6	.	105	.	.	.	25,0	
	102-9062 3G 0500	001-307	Pin Assembly	8	153	.	.	32	.	0,9	
	1U 3630	001-409	Adapter	3	611	442	102	.	.	107	
	103-8114	.	Nose Adapter	4	220	260	90	.	.	41,0	
	102-9062 3G 0500	001-307	Pin Assembly	8	153	.	.	32	.	0,9	
	6Y 1202(Disposable)	001-383	Retainer (Impact Ripper Style)	10	.	.	.	64	.	0,2	
	6Y 1204 (Disposable)	001-358	Pin (Impact Ripper Style)	9	153	.	.	32	.	0,9	
	Single Shank	1U 4592	001-416	Ripper Shank (One Piece Shank)	1	2812	400	100	.	.	845,0
	Single Shank	7T 5130	.	Ripper Shank (One Piece Shank)	1	825,0
		4T 4501 1U 4501	001-127	Tip Short Centerline	2	27,0
		4T 4502 1U 4502	001-128	Tip Interm. Centerline	1	440	152	218	.	.	27,0
8E 8503 4T 4503		001-140	Tip Long Centerline	1	477	158	216	.	.	30,0	
4T 5501 3G 6501		001-141	Tip Short Penetration	3	380	147	214	.	.	24,0	
4T 5502 3G 6502		001-142	Tip Interm. Penetration	3	440	152	218	.	.	27,5	
4T 5503 3G 6503		001-143	Tip Long Penetration	3	480	153	223	.	.	28,0	
8E 5772		.	Tip interm. AFM Penet.	7	440	152	218	.	.	29,5	

CATERPILLAR-RIPPERS

Complete Shank, Tips, Adapters, Protectors, Pins and Retainers



**T O U G H
C O M P O N E N T S**

Mach. Type	O.E.M. Part Nr New and old	MTM Nr.	Description	Ref.	Millimeters					Weight Kg.
					A	B	C	D	Ø	
D10	8E 5774	.	Tip interm. AFM Cent.	6	440	152	218			29,0
	102-9062 3G 0500	001-307	Pin Assembly	8	153			32		0,9
	6Y 9704	001-401	Protector Sharpened	7	740	96				58,5
	8J 4889	.	Pin Retainer	9	115			35		0,5
	102-9062 3G 0500	001-307	Pin Assembly	8	153			32		0,9
	1U 3630	001-409	Adapter	3	611	442	102			107
	103-8114		Nose Adapter	4	220	260	90			41,0
	102-9062 3G 0500	001-307	Pin Assembly	8	153			32		0,9
	6Y 1202(Disposable)	001-383	Retainer (Impact Ripper Style)	10				64		0,2
	6Y 1204 (Disposable)	001-358	Pin (Impact Ripper Style)	9	153			32		0,9
Single Shank	6Y 4679	001-416	Ripper Shank (One Piece Shank)	1	2812	400	100			845,0
Single Shank	4T 4501 1U 4501	001-127	Tip Short Centerline	2	27,0
	4T 4502 1U 4502	001-128	Tip Interm. Centerline	1	440	152	218	.	.	27,0
	8E 8503 4T 4503	001-140	Tip Long Centerline	1	477	158	216	.	.	30,0
	4T 5501 3G 6501	001-141	Tip Short Penetration	3	380	147	214	.	.	24,0
	4T 5502 3G 6502	001-142	Tip Interm. Penetration	3	440	152	218	.	.	27,5
	4T 5503 3G 6503	001-143	Tip Long Penetration	3	480	153	223	.	.	28,0
	8E 5772	.	Tip interm. AFM Penet.	7	440	152	218			29,5
	8E 5774	.	Tip interm. AFM Cent.	6	440	152	218			29,0
	102-9062 3G 0500	001-307	Pin Assembly	8	153			32		0,9
	6Y 8960	.	Protector Sharpened	1	600	108				39,4
	102-9062 3G 0500	001-307	Pin Assembly	8	153			32		0,9
	103-8115 9W9695	001-410	Adapter	3	760	450	90			72,0
	107-3361		Nose Adapter	4	260	350	90			44,5
	6Y 1202(Disposable)	001-383	Retainer (Impact Ripper Style)	10				64		0,2
	6Y 1204 (Disposable)	001-358	Pin (Impact Ripper Style)	9	153			32		0,9
	6Y 3909	001-357	Pin	9	153			32		0,9
	4T 4707	001-335	Retainer	10				64		0,2
	Single Shank	8E 8412		Ripper Shank (One Piece Shank)	1	2812	400	102		114
Single Shank	4T 4501 1U 4501	001-127	Tip Short Centerline	2	27,0
	4T 4502 1U 4502	001-128	Tip Interm. Centerline	1	440	152	218	.	.	27,0
	8E 8503 4T 4503	001-140	Tip Long Centerline	1	477	158	216	.	.	30,0
	4T 5501 3G 6501	001-141	Tip Short Penetration	3	380	147	214	.	.	24,0
	4T 5502 3G 6502	001-142	Tip Interm. Penetration	3	440	152	218	.	.	27,5
	4T 5503 3G 6503	001-143	Tip Long Penetration	3	480	153	223	.	.	28,0
	8E 5772	.	Tip interm. AFM Penet.	7	440	152	218			29,5
	8E 5774	.	Tip interm. AFM Cent.	6	440	152	218			29,0
	6Y 1202(Disposable)	001-383	Retainer (Impact Ripper Style)	10				64		0,2
	6Y 1204 (Disposable)	001-358	Pin (Impact Ripper Style)	9	153			32		0,9
	6Y 3909	001-357	Pin	9	153			32		0,9
	4T 4707	001-335	Retainer	10				64		0,2
	6Y 8960	.	Protector Sharpened	1	600	108				39,4
	102-9062 3G 0500	001-307	Pin Assembly	8	153			32		0,9
	6Y 1202(Disposable)	001-383	Retainer (Impact Ripper Style)	10				64		0,2
	6Y 1204 (Disposable)	001-358	Pin (Impact Ripper Style)	9	153			32		0,9

CATERPILLAR-RIPPERS

Complete Shank, Tips, Adapters, Protectors, Pins and Retainers



**T O U G H
C O M P O N E N T S**

Mach. Type	O.E.M. Part Nr New and old	MTM Nr.	Description	Ref.	Millimeters					Weight Kg.
					A	B	C	D	Ø	
D10	103-8115 9W9695	001-410	Adapter	3	760	450	90			72,0
	107-3361		Nose Adapter	4	260	350	90			44,5
	6Y 1202(Disposable)	001-383	Retainer (Impact Ripper Style)	10				64		0,2
	6Y 1204 (Disposable)	001-358	Pin (Impact Ripper Style)	9	153			32		0,9
	6Y 3909	001-357	Pin	9	153			32		0,9
	4T 4707	001-335	Retainer	10				64		0,2
	Multi Shank	3G 6507	001-419	Ripper Shank (One Piece Shank)	1	1980	400	100		
	4T 4501 1U 4501	001-127	Tip Short Centerline	2	27,0
	4T 4502 1U 4502	001-128	Tip Interm. Centerline	1	440	152	218	.	.	27,0
	8E 8503 4T 4503	001-140	Tip Long Centerline	1	477	158	216	.	.	30,0
	4T 5501 3G 6501	001-141	Tip Short Penetration	3	380	147	214	.	.	24,0
	4T 5502 3G 6502	001-142	Tip Interm. Penetration	3	440	152	218	.	.	27,5
	4T 5503 3G 6503	001-143	Tip Long Penetration	3	480	153	223	.	.	28,0
	8E 5772	.	Tip interm. AFM Penet.	7	440	152	218			29,5
	8E 5774	.	Tip interm. AFM Cent.	6	440	152	218			29,0
	102-9062 3G 0500	001-307	Pin Assembly	8	153			32		0,9
	3G 9594	001-404	Protector Standard	6		105				25,0
	102-9062 3G 0500	001-307	Pin Assembly	8	153			32		0,9
	1U 3630	001-409	Adapter	3	611	442	102			107
	103-8114		Nose Adapter	4	220	260	90			41,0
	102-9062 3G 0500	001-307	Pin Assembly	8	153			32		0,9
	6Y 1202(Disposable)	001-383	Retainer (Impact Ripper Style)	10				64		0,2
	6Y 1204 (Disposable)	001-358	Pin (Impact Ripper Style)	9	153			32		0,9
Multi Shank	6Y 5616 7T 5131	001-419	Ripper Shank (One Piece Shank)	1	1980	400	100			570,0
Multi Shank	1U 4873	.	Ripper Shank (One Piece Shank)	1	1968	400	100			610,0
	4T 4501 1U 4501	001-127	Tip Short Centerline	2	27,0
	4T 4502 1U 4502	001-128	Tip Interm. Centerline	1	440	152	218	.	.	27,0
	8E 8503 4T 4503	001-140	Tip Long Centerline	1	477	158	216	.	.	30,0
	4T 5501 3G 6501	001-141	Tip Short Penetration	3	380	147	214	.	.	24,0
	4T 5502 3G 6502	001-142	Tip Interm. Penetration	3	440	152	218	.	.	27,5
	4T 5503 3G 6503	001-143	Tip Long Penetration	3	480	153	223	.	.	28,0
	8E 5772	.	Tip interm. AFM Penet.	7	440	152	218			29,5
	8E 5774	.	Tip interm. AFM Cent.	6	440	152	218			29,0
	102-9062 3G 0500	001-307	Pin Assembly	8	153			32		0,9
	6Y 9704	001-401	Protector Sharpened	7	740	96				58,5
	8J 4889	.	Pin Retainer	9	115			35		0,5
	102-9062 3G 0500	001-307	Pin Assembly	8	153			32		0,9
	1U 3630	001-409	Adapter	3	611	442	102			107,00
	103-8114		Nose Adapter	4	220	260	90			41,0
	102-9062 3G 0500	001-307	Pin Assembly	8	153			32		0,9
	6Y 1202(Disposable)	001-383	Retainer (Impact Ripper Style)	10				64		0,2
	6Y 1204 (Disposable)	001-358	Pin (Impact Ripper Style)	9	153			32		0,9
Multi Shank	6Y 5616 7T 5131	001-419	Ripper Shank (One Piece Shank)	1	1980	400	100			570,0
	4T 4501 1U 4501	001-127	Tip Short Centerline	2	27,0

CATERPILLAR-RIPPERS

Complete Shank, Tips, Adapters, Protectors, Pins and Retainers



**T O U G H
C O M P O N E N T S**

Mach. Type	O.E.M. Part Nr New and old	MTM Nr.	Description	Ref.	Millimeters					Weight Kg.	
					A	B	C	D	Ø		
D10	4T 4502 1U 4502	001-128	Tip Interm. Centerline	1	440	152	218	.	.	27,0	
	8E 8503 4T 4503	001-140	Tip Long Centerline	1	477	158	216	.	.	30,0	
	4T 5501 3G 6501	001-141	Tip Short Penetration	3	380	147	214	.	.	24,0	
	4T 5502 3G 6502	001-142	Tip Interm. Penetration	3	440	152	218	.	.	27,5	
	4T 5503 3G 6503	001-143	Tip Long Penetration	3	480	153	223	.	.	28,0	
	8E 5772	.	Tip interm. AFM Penet.	7	440	152	218			29,5	
	8E 5774	.	Tip interm. AFM Cent.	6	440	152	218			29,0	
	102-9062 3G 0500	001-307	Pin Assembly	8	153			32		0,9	
	6Y 8960	.	Protector Sharpened	1	600	108				39,4	
	102-9062 3G 0500	001-307	Pin Assembly	8	153			32		0,9	
	6Y 1202(Disposable)	001-383	Retainer (Impact Ripper Style)	10				64		0,2	
	6Y 1204 (Disposable)	001-358	Pin (Impact Ripper Style)	9	153			32		0,9	
	103-8115 9W9695	001-410	Adapter	3	760	450	90			72,0	
	107-3361		Nose Adapter	4	260	350	90			44,5	
	6Y 1202(Disposable)	001-383	Retainer (Impact Ripper Style)	10				64		0,2	
	6Y 1204 (Disposable)	001-358	Pin (Impact Ripper Style)	9	153			32		0,9	
	6Y 3909	001-357	Pin	9	153			32		0,9	
	4T 4707	001-335	Retainer	10				64		0,2	
	Multi Shank	8E 8413		Ripper Shank (One Piece Shank)	1	1980	400	100		51	570,0
		4T 4501 1U 4501	001-127	Tip Short Centerline	2	27,0
4T 4502 1U 4502		001-128	Tip Interm. Centerline	1	440	152	218	.	.	27,0	
8E 8503 4T 4503		001-140	Tip Long Centerline	1	477	158	216	.	.	30,0	
4T 5501 3G 6501		001-141	Tip Short Penetration	3	380	147	214	.	.	24,0	
4T 5502 3G 6502		001-142	Tip Interm. Penetration	3	440	152	218	.	.	27,5	
4T 5503 3G 6503		001-143	Tip Long Penetration	3	480	153	223	.	.	28,0	
8E 5772		.	Tip interm. AFM Penet.	7	440	152	218			29,5	
8E 5774		.	Tip interm. AFM Cent.	6	440	152	218			29,0	
6Y 1202(Disposable)		001-383	Retainer (Impact Ripper Style)	10				64		0,2	
6Y 1204 (Disposable)		001-358	Pin (Impact Ripper Style)	9	153			32		0,9	
6Y 3909		001-357	Pin	9	153			32		0,9	
4T 4707		001-335	Retainer	10				64		0,2	
6Y 8960		.	Protector Sharpened	1	600	108				39,4	
102-9062 3G 0500		001-307	Pin Assembly	8	153			32		0,9	
6Y 1202(Disposable)		001-383	Retainer (Impact Ripper Style)	10				64		0,2	
6Y 1204 (Disposable)		001-358	Pin (Impact Ripper Style)	9	153			32		0,9	
103-8115 9W9695		001-410	Adapter	3	760	450	90			72,0	
107-3361			Nose Adapter	4	260	350	90			44,5	
6Y 1202(Disposable)		001-383	Retainer (Impact Ripper Style)	10				64		0,2	
6Y 1204 (Disposable)		001-358	Pin (Impact Ripper Style)	9	153			32		0,9	
6Y 3909		001-357	Pin	9	153			32		0,9	
4T 4707		001-335	Retainer	10				64		0,2	
D10N		3G 2088	001-417	Ripper Shank (One Piece Shank)s.s	1	2325	355	90			555,0
		9W 4426	001-417	Ripper Shank (One Piece Shank)	1	2325	355	90			565,0
Single Shank		4T 4501 1U 4501	001-127	Tip Short Centerline	2	27,0
		4T 4502 1U 4502	001-128	Tip Interm. Centerline	1	440	152	218	.	.	27,0
		8E 8503 4T 4503	001-140	Tip Long Centerline	1	477	158	216	.	.	30,0
	4T 5501 3G 6501	001-141	Tip Short Penetration	3	380	147	214	.	.	24,0	

CATERPILLAR-RIPPERS

Complete Shank, Tips, Adapters, Protectors, Pins and Retainers



**T O U G H
C O M P O N E N T S**

Mach. Type	O.E.M. Part Nr New and old	MTM Nr.	Description	Ref.	Millimeters					Weight Kg.
					A	B	C	D	Ø	
D10N	4T 5502 3G 6502	001-142	Tip Intern. Penetration	3	440	152	218	.	.	27,5
	4T 5503 3G 6503	001-143	Tip Long Penetration	3	480	153	223	.	.	28,0
	8E 5772	.	Tip intern. AFM Penet.	7	440	152	218			29,5
	8E 5774	.	Tip intern. AFM Cent.	6	440	152	218			29,0
	102-9062 3G 0500	001-307	Pin Assembly	8	153			32		0,9
	6Y 9704	001-401	Protector Sharpened	7	740	96				58,5
	8J 4889	.	Pin Retainer	9	115			35		0,5
	102-9062 3G 0500	001-307	Pin Assembly	8	153			32		0,9
	1U 3630	001-409	Adapter	3	611	442	102			107,00
	103-8114		Nose Adapter	4	220	260	90			41,0
	102-9062 3G 0500	001-307	Pin Assembly	8	153			32		0,9
	6Y 1202(Disposable)	001-383	Retainer (Impact Ripper Style)	10				64		0,2
	6Y 1204 (Disposable)	001-358	Pin (Impact Ripper Style)	9	153			32		0,9
Single Shank	6Y 6138	001-417	Ripper Shank (One Piece Shank)	1	2325	355	90			555,0
Single Shank	9W 8366	001-418	Ripper Shank (One Piece Shank)	1	2510	380	90			635,0
	4T 4501 1U 4501	001-127	Tip Short Centerline	2	27,0
	4T 4502 1U 4502	001-128	Tip Intern. Centerline	1	440	152	218	.	.	27,0
	8E 8503 4T 4503	001-140	Tip Long Centerline	1	477	158	216	.	.	30,0
	4T 5501 3G 6501	001-141	Tip Short Penetration	3	380	147	214	.	.	24,0
	4T 5502 3G 6502	001-142	Tip Intern. Penetration	3	440	152	218	.	.	27,5
	4T 5503 3G 6503	001-143	Tip Long Penetration	3	480	153	223	.	.	28,0
	8E 5772	.	Tip intern. AFM Penet.	7	440	152	218			29,5
	8E 5774	.	Tip intern. AFM Cent.	6	440	152	218			29,0
	102-9062 3G 0500	001-307	Pin Assembly	8	153			32		0,9
	9W 8365	001-480	Protector Sharpened	1	600	96				39,4
	102-9062 3G 0500	001-307	Pin Assembly	8	153			32		0,9
	103-8115 9W9695	001-410	Adapter	3	760	450	90			72,0
	107-3361		Nose Adapter	4	260	350	90			44,5
	6Y 1202(Disposable)	001-383	Retainer (Impact Ripper Style)	10				64		0,2
	6Y 1204 (Disposable)	001-358	Pin (Impact Ripper Style)	9	153			32		0,9
	6Y 3909	001-357	Pin	9	153			32		0,9
	4T 4707	001-335	Retainer	10				64		0,2
Single Shank	8E 8414	001-417	Ripper Shank (One Piece Shank)	1	2325	355	90		114	625,0
Single Shank	8E 8411	001-456	Ripper Shank (One Piece Shank)	1	2510	380	90		.	625,0
	4T 4501 1U 4501	001-127	Tip Short Centerline	2	27,0
	4T 4502 1U 4502	001-128	Tip Intern. Centerline	1	440	152	218	.	.	27,0
	8E 8503 4T 4503	001-140	Tip Long Centerline	1	477	158	216	.	.	30,0
	4T 5501 3G 6501	001-141	Tip Short Penetration	3	380	147	214	.	.	24,0
	4T 5502 3G 6502	001-142	Tip Intern. Penetration	3	440	152	218	.	.	27,5
	4T 5503 3G 6503	001-143	Tip Long Penetration	3	480	153	223	.	.	28,0
	8E 5772	.	Tip intern. AFM Penet.	7	440	152	218			29,5
	8E 5774	.	Tip intern. AFM Cent.	6	440	152	218			29,0
	6Y 1202(Disposable)	001-383	Retainer (Impact Ripper Style)	10				64		0,2
	6Y 1204 (Disposable)	001-358	Pin (Impact Ripper Style)	9	153			32		0,9
cont.	6Y 3909	001-357	Pin	9	153			32		0,9



**T O U G H
C O M P O N E N T S**

CATERPILLAR-RIPPERS

Complete Shank, Tips, Adapters, Protectors, Pins and Retainers

Mach. Type	O.E.M. Part Nr New and old	MTM Nr.	Description	Ref.	Millimeters					Weight Kg.
					A	B	C	D	Ø	
D10N	4T 4707	001-335	Retainer	10				64		0,2
	102-9062 3G 0500	001-307	Pin Assembly	8	153			32		0,9
	9W 8365	001-480	Protector Sharpened	1	600	96				39,4
	102-9062 3G 0500	001-307	Pin Assembly	8	153			32		0,9
	6Y 1202(Disposable)	001-383	Retainer (Impact Ripper Style)	10				64		0,2
	6Y 1204 (Disposable)	001-358	Pin (Impact Ripper Style)	9	153			32		0,9
	103-8115 9W9695	001-410	Adapter	3	760	450	90			72,0
	107-3361		Nose Adapter	4	260	350	90			44,5
	6Y 1202(Disposable)	001-383	Retainer (Impact Ripper Style)	10				64		0,2
	6Y 1204 (Disposable)	001-358	Pin (Impact Ripper Style)	9	153			32		0,9
	6Y 3909	001-357	Pin	9	153			32		0,9
	4T 4707	001-335	Retainer	10				64		0,2
Deep Rip	3G 8566	001-422	Ripper Shank (One Piece Shank)	1	2825	355	90			690,0
Deep Rip	9W 4427		Ripper Shank (One Piece Shank)	1	2825	355	90			570,0
	4T 4501 1U 4501	001-127	Tip Short Centerline	2	27,0
	4T 4502 1U 4502	001-128	Tip Interm. Centerline	1	440	152	218	.	.	27,0
	8E 8503 4T 4503	001-140	Tip Long Centerline	1	477	158	216	.	.	30,0
	4T 5501 3G 6501	001-141	Tip Short Penetration	3	380	147	214	.	.	24,0
	4T 5502 3G 6502	001-142	Tip Interm. Penetration	3	440	152	218	.	.	27,5
	4T 5503 3G 6503	001-143	Tip Long Penetration	3	480	153	223	.	.	28,0
	8E 5772		Tip interm. AFM Penet.	7	440	152	218			29,5
	8E 5774		Tip interm. AFM Cent.	6	440	152	218			29,0
	102-9062 3G 0500	001-307	Pin Assembly	8	153			32		0,9
	6Y 9704	001-401	Protector Sharpened	7	740	96				58,5
	8J 4889		Pin Retainer	9	115			35		0,5
	102-9062 3G 0500	001-307	Pin Assembly	8	153			32		0,9
	1U 3630	001-409	Adapter	3	611	442	102			107,00
	103-8114		Nose Adapter	4	220	260	90			41,0
	102-9062 3G 0500	001-307	Pin Assembly	8	153			32		0,9
	6Y 1202(Disposable)	001-383	Retainer (Impact Ripper Style)	10				64		0,2
	6Y 1204 (Disposable)	001-358	Pin (Impact Ripper Style)	9	153			32		0,9
	Deep Rip	6Y 6144	001-422	Ripper Shank (One Piece Shank)	1	2825	355	90		114
Deep Rip	6Y 6147	001-421	Ripper Shank (One Piece Shank)	1	2997	380	90			715,0
	4T 4501 1U 4501	001-127	Tip Short Centerline	2	27,0
	4T 4502 1U 4502	001-128	Tip Interm. Centerline	1	440	152	218	.	.	27,0
	8E 8503 4T 4503	001-140	Tip Long Centerline	1	477	158	216	.	.	30,0
	4T 5501 3G 6501	001-141	Tip Short Penetration	3	380	147	214	.	.	24,0
	4T 5502 3G 6502	001-142	Tip Interm. Penetration	3	440	152	218	.	.	27,5
	4T 5503 3G 6503	001-143	Tip Long Penetration	3	480	153	223	.	.	28,0
	8E 5772		Tip interm. AFM Penet.	7	440	152	218			29,5
	8E 5774		Tip interm. AFM Cent.	6	440	152	218			29,0
	102-9062 3G 0500	001-307	Pin Assembly	8	153			32		0,9
	9W 8365	001-480	Protector Sharpened	1	600	96				39,4
	102-9062 3G 0500	001-307	Pin Assembly	8	153			32		0,9
	6Y 1202(Disposable)	001-383	Retainer (Impact Ripper Style)	10				64		0,2



**T O U G H
C O M P O N E N T S**

CATERPILLAR-RIPPERS

Complete Shank, Tips, Adapters, Protectors, Pins and Retainers

Mach. Type	O.E.M. Part Nr New and old	MTM Nr.	Description	Ref.	Millimeters					Weight Kg.
					A	B	C	D	Ø	
D10N	6Y 1204 (Disposable)	001-358	Pin (Impact Ripper Style)	9	153			32		0,9
	103-8115 9W9695	001-410	Adapter	3	760	450	90			72,0
	107-3361		Nose Adapter	4	260	350	90			44,5
	6Y 1202 (Disposable)	001-383	Retainer (Impact Ripper Style)	10				64		0,2
	6Y 1204 (Disposable)	001-358	Pin (Impact Ripper Style)	9	153			32		0,9
	6Y 3909	001-357	Pin	9	153			32		0,9
	4T 4707	001-335	Retainer	10				64		0,2
Deep Rip	8E 8416	001-422	Ripper Shank (One Piece Shank)	1	2825	355	90		114	690,0
Deep Rip	8E 8417	001-421	Ripper Shank (One Piece Shank)	1	2997	380	90		.	715,0
	4T 4501 1U 4501	001-127	Tip Short Centerline	2	27,0
	4T 4502 1U 4502	001-128	Tip Interm. Centerline	1	440	152	218	.	.	27,0
	8E 8503 4T 4503	001-140	Tip Long Centerline	1	477	158	216	.	.	30,0
	4T 5501 3G 6501	001-141	Tip Short Penetration	3	380	147	214	.	.	24,0
	4T 5502 3G 6502	001-142	Tip Interm. Penetration	3	440	152	218	.	.	27,5
	4T 5503 3G 6503	001-143	Tip Long Penetration	3	480	153	223	.	.	28,0
	8E 5772	.	Tip interm. AFM Penet.	7	440	152	218			29,5
	8E 5774	.	Tip interm. AFM Cent.	6	440	152	218			29,0
	6Y 1202 (Disposable)	001-383	Retainer (Impact Ripper Style)	10				64		0,2
	6Y 1204 (Disposable)	001-358	Pin (Impact Ripper Style)	9	153			32		0,9
	102-9062 3G 0500	001-307	Pin Assembly	8	153			32		0,9
	9W 8365	001-480	Protector Sharpened	1	600	96				39,4
	102-9062 3G 0500	001-307	Pin Assembly	8	153			32		0,9
	6Y 1202 (Disposable)	001-383	Retainer (Impact Ripper Style)	10				64		0,2
	6Y 1204 (Disposable)	001-358	Pin (Impact Ripper Style)	9	153			32		0,9
	103-8115 9W9695	001-410	Adapter	3	760	450	90			72,0
	107-3361		Nose Adapter	4	260	350	90			44,5
	6Y 1202 (Disposable)	001-383	Retainer (Impact Ripper Style)	10				64		0,2
	6Y 1204 (Disposable)	001-358	Pin (Impact Ripper Style)	9	153			32		0,9
	6Y 3909	001-357	Pin	9	153			32		0,9
	4T 4707	001-335	Retainer	10				64		0,2
Multi Shank	9J 5954	.	Ripper Shank (One Piece Shank)	1	1809	355	90			460,0
	4T 4501 1U 4501	001-127	Tip Short Centerline	2	27,0
	4T 4502 1U 4502	001-128	Tip Interm. Centerline	1	440	152	218	.	.	27,0
	8E 8503 4T 4503	001-140	Tip Long Centerline	1	477	158	216	.	.	30,0
	4T 5501 3G 6501	001-141	Tip Short Penetration	3	380	147	214	.	.	24,0
	4T 5502 3G 6502	001-142	Tip Interm. Penetration	3	440	152	218	.	.	27,5
	4T 5503 3G 6503	001-143	Tip Long Penetration	3	480	153	223	.	.	28,0
	8E 5772	.	Tip interm. AFM Penet.	7	440	152	218			29,5
	8E 5774	.	Tip interm. AFM Cent.	6	440	152	218			29,0
	102-9062 3G 0500	001-307	Pin Assembly	8	153			32		0,9
	6Y 9704	001-401	Protector Sharpened	7	740	96				58,5
	8J 4889	.	Pin Retainer	9	115			35		0,5
	102-9062 3G 0500	001-307	Pin Assembly	8	153			32		0,9
	1U 3630	001-409	Adapter	3	611	442	102			107,00
cont.	103-8114		Nose Adapter	4	220	260	90			41,0

CATERPILLAR-RIPPERS

Complete Shank, Tips, Adapters, Protectors, Pins and Retainers



**T O U G H
C O M P O N E N T S**

Mach. Type	O.E.M. Part Nr New and old	MTM Nr.	Description	Ref.	Millimeters					Weight Kg.
					A	B	C	D	Ø	
D10N	102-9062 3G 0500	001-307	Pin Assembly	8	153			32		0,9
	6Y 1202(Disposable)	001-383	Retainer (Impact Ripper Style)	10				64		0,2
	6Y 1204 (Disposable)	001-358	Pin (Impact Ripper Style)	9	153			32		0,9
Multi Shank	6Y 6141	.	Ripper Shank (One Piece Shank)	1	1819	355	90		114	445,0
	4T 4501 1U 4501	001-127	Tip Short Centerline	2	27,0
	4T 4502 1U 4502	001-128	Tip Interm. Centerline	1	440	152	218	.	.	27,0
	8E 8503 4T 4503	001-140	Tip Long Centerline	1	477	158	216	.	.	30,0
	4T 5501 3G 6501	001-141	Tip Short Penetration	3	380	147	214	.	.	24,0
	4T 5502 3G 6502	001-142	Tip Interm. Penetration	3	440	152	218	.	.	27,5
	4T 5503 3G 6503	001-143	Tip Long Penetration	3	480	153	223	.	.	28,0
	8E 5772	.	Tip interm. AFM Penet.	7	440	152	218			29,5
	8E 5774	.	Tip interm. AFM Cent.	6	440	152	218			29,0
	102-9062 3G 0500	001-307	Pin Assembly	8	153			32		0,9
	9W 8365	001-480	Protector Sharpened	1	600	96				39,4
	102-9062 3G 0500	001-307	Pin Assembly	8	153			32		0,9
	103-8115 9W9695	001-410	Adapter	3	760	450	90			72,0
	107-3361		Nose Adapter	4	260	350	90			44,5
	6Y 1202(Disposable)	001-383	Retainer (Impact Ripper Style)	10				64		0,2
	6Y 1204 (Disposable)	001-358	Pin (Impact Ripper Style)	9	153			32		0,9
	6Y 3909	001-357	Pin	9	153			32		0,9
	4T 4707	001-335	Retainer	10				64		0,2
Multi Shank	8E 8415	.	Ripper Shank (One Piece Shank)	1	1820	355	90		114	445,0
	4T 4501 1U 4501	001-127	Tip Short Centerline	2	27,0
	4T 4502 1U 4502	001-128	Tip Interm. Centerline	1	440	152	218	.	.	27,0
	8E 8503 4T 4503	001-140	Tip Long Centerline	1	477	158	216	.	.	30,0
	4T 5501 3G 6501	001-141	Tip Short Penetration	3	380	147	214	.	.	24,0
	4T 5502 3G 6502	001-142	Tip Interm. Penetration	3	440	152	218	.	.	27,5
	4T 5503 3G 6503	001-143	Tip Long Penetration	3	480	153	223	.	.	28,0
	8E 5772	.	Tip interm. AFM Penet.	7	440	152	218			29,5
	8E 5774	.	Tip interm. AFM Cent.	6	440	152	218			29,0
	6Y 1202(Disposable)	001-383	Retainer (Impact Ripper Style)	10				64		0,2
	6Y 1204 (Disposable)	001-358	Pin (Impact Ripper Style)	9	153			32		0,9
	6Y 3909	001-357	Pin	9	153			32		0,9
	4T 4707	001-335	Retainer	10				64		0,2
	9W 8365	001-480	Protector Sharpened	1	600	96				39,4
	6Y 1202(Disposable)	001-383	Retainer (Impact Ripper Style)	10				64		0,2
	6Y 1204 (Disposable)	001-358	Pin (Impact Ripper Style)	9	153			32		0,9
	6Y 3909	001-357	Pin	9	153			32		0,9
	4T 4707	001-335	Retainer	10				64		0,2
	103-8115 9W9695	001-410	Adapter	3	760	450	90			72,0
	107-3361		Nose Adapter	4	260	350	90			44,5
	6Y 1202(Disposable)	001-383	Retainer (Impact Ripper Style)	10				64		0,2
	6Y 1204 (Disposable)	001-358	Pin (Impact Ripper Style)	9	153			32		0,9
	6Y 3909	001-357	Pin	9	153			32		0,9
	4T 4707	001-335	Retainer	10				64		0,2

CATERPILLAR-RIPPERS

Complete Shank, Tips, Adapters, Protectors, Pins and Retainers



**T O U G H
C O M P O N E N T S**

Mach. Type	O.E.M. Part Nr New and old	MTM Nr.	Description	Ref.	Millimeters					Weight Kg.
					A	B	C	D	Ø	
D10R	118-2140		Ripper Shank (One Piece Shank)S.S	1	2510	400	100		114	715,0
Deep Rip	109-3135		Ripper Shank (One Piece Shank)	1	3017	400	100		114	885,0
Multi Shank	8E 8415		Ripper Shank (One Piece Shank)	1	1820	355	90		114	445,0
	4T 4501 1U 4501	001-127	Tip Short Centerline	2	27,0
	4T 4502 1U 4502	001-128	Tip Intern. Centerline	1	440	152	218	.	.	27,0
	8E 8503 4T 4503	001-140	Tip Long Centerline	1	477	158	216	.	.	30,0
	4T 5501 3G 6501	001-141	Tip Short Penetration	3	380	147	214	.	.	24,0
	4T 5502 3G 6502	001-142	Tip Intern. Penetration	3	440	152	218	.	.	27,5
	4T 5503 3G 6503	001-143	Tip Long Penetration	3	480	153	223	.	.	28,0
	8E 5772		Tip intern. AFM Penet.	7	440	152	218			29,5
	8E 5774		Tip intern. AFM Cent.	6	440	152	218			29,0
	6Y 1202(Disposable)	001-383	Retainer (Impact Ripper Style)	10					64	0,2
	6Y 1204 (Disposable)	001-358	Pin (Impact Ripper Style)	9	153				32	0,9
	6Y 3909	001-357	Pin	9	153				32	0,9
	4T 4707	001-335	Retainer	10					64	0,2
	6Y 8960		Protector Sharpened (S.S and D.R.)	1	600	108				39,4
	9W 8365	001-480	Protector Sharpened (M.S)	1	600	96				39,4
	6Y 1202(Disposable)	001-383	Retainer (Impact Ripper Style)	10					64	0,2
	6Y 1204 (Disposable)	001-358	Pin (Impact Ripper Style)	9	153				32	0,9
	6Y 3909	001-357	Pin	9	153				32	0,9
	4T 4707	001-335	Retainer	10					64	0,2
	103-8115 9W9695	001-410	Adapter	3	760	450	90			72,0
	107-3361		Nose Adapter	4	260	350	90			44,5
	6Y 1202(Disposable)	001-383	Retainer (Impact Ripper Style)	10					64	0,2
	6Y 1204 (Disposable)	001-358	Pin (Impact Ripper Style)	9	153				32	0,9
	6Y 3909	001-357	Pin	9	153				32	0,9
	4T 4707	001-335	Retainer	10					64	0,2
D9H	7J 1792	001-428	Ripper Shank (One Piece Shank)	1	2142	355	90		94	470,0
Single Shank	107-3485		Ripper Shank (One Piece Shank)	1	2165	355	90		94	470,0
	9W 2451 4T 4451	001-129	Tip Short Centerline	2	325	132	173			15,0
	9W 2452 4T 4452	001-130	Tip Intern. Centerline	1	385	132	173			16,0
	114-0453 4T 4453	001-131	Tip Long Centerline	1	425	126	165	.	.	17,0
	4T 5451 3G 5451	001-144	Tip Short Penetration	3	340	125	168			15,2
	4T 5452 3G 5452	001-145	Tip Intern. Penetration	3	390	126	166			15,3
	8E 5770	001-808	Tip intern. AFM Cent.	6	385	132	173			16,5
	8E 5771		Tip intern. AFM Penet.	7						15,5
	4T 2479 7J 9600	001-309	Pin Assembly	8	118				25	0,5
	6Y 3394	001-356	Pin	9	128				25	0,5
	8E 4743	001-381	Retainer	10					48	0,1
	6J 8814	001-402	Protector Standard	4	432	80				13,7
	8E 1848	001-454	Protector Sharpened	3	486	80				17,0
	132-4716 1U 4410	001-403	Protector Extended	5						25,0
	4T 2479 Top	001-309	Pin Assembly	8	118				25	0,5
	6J 8811 Bott.	001-308	Pin Assembly	8	109				32	0,7
	6Y 3394	001-356	Pin	9	128				25	0,5
cont.	8E 4743	001-381	Retainer	10					48	0,1

CATERPILLAR-RIPPERS

Complete Shank, Tips, Adapters, Protectors, Pins and Retainers



**T O U G H
C O M P O N E N T S**

Mach. Type	O.E.M. Part Nr New and old	MTM Nr.	Description	Ref.	Millimeters					Weight Kg.	
					A	B	C	D	Ø		
D9H	8E 8418	001-455	Adapter	3	685	350	75			76,0	
	9U 9694	001-414	Nose Adapter	4	230	320	75			20,0	
	6Y 3394	001-356	Pin	9	128			25		0,5	
	8E 4743	001-381	Retainer	10				48		0,1	
	4T 8315 7J 1791	001-411	Adapter	3	560	340	75			76,0	
	9U 9694 4T 9776	001-414	Nose adapter	4	230	320	75			20,0	
	4T 2479 Top	001-309	Pin Assembly	8	118			25		0,5	
	6J 8811 Bott.	001-308	Pin Assembly	8	109			32		0,7	
Deep Rip	7J 1793	001-430	Ripper Shank (One Piece Shank)	1	2700	355	90			605,0	
Deep Rip	107-3486	.	Ripper Shank (One Piece Shank)	1	2700	355	90		94	605,0	
	9W 2451 4T 4451	001-129	Tip Short Centerline	2	325	132	173			15,0	
	9W 2452 4T 4452	001-130	Tip Intern. Centerline	1	385	132	173			16,0	
	114-0453 4T 4453	001-131	Tip Long Centerline	1	425	126	165			17,0	
	4T 5451 3G 5451	001-144	Tip Short Penetration	3	340	125	168			15,2	
	4T 5452 3G 5452	001-145	Tip Intern. Penetration	3	390	126	166			15,3	
	8E 5770	001-808	Tip interm. AFM Cent.	6	385	132	173			16,5	
	8E 5771	.	Tip interm. AFM Penet.	7						15,5	
	4T 2479 7J 9600	001-309	Pin Assembly	8	118			25		0,5	
	6Y 3394	001-356	Pin	9	128			25		0,5	
	8E 4743	001-381	Retainer	10				48		0,1	
	6J 8814	001-402	Protector Standard	4	432	80				13,7	
	8E 1848	001-454	Protector Sharpened	3	486	80				17,0	
	132-4716 1U 4410	001-403	Protector Extended	5						25,0	
	4T 2479 Top	001-309	Pin Assembly	8	118			25		0,5	
	6J 8811 Bott.	001-308	Pin Assembly	8	109			32		0,7	
	6Y 3394	001-356	Pin	9	128			25		0,5	
	8E 4743	001-381	Retainer	10				48		0,1	
	8E 8418	001-455	Adapter	3	685	350	75			76,0	
	9U 9694	001-414	Nose Adapter	4	230	320	75			20,0	
	6Y 3394	001-356	Pin	9	128			25		0,5	
	8E 4743	001-381	Retainer	10				48		0,1	
	4T 8315 7J 1791	001-411	Adapter	3	560	340	75			76,0	
	9U 9694 4T 9776	001-414	Nose adapter	4	230	320	75			20,0	
	4T 2479 Top	001-309	Pin Assembly	8	118			25		0,5	
	6J 8811 Bott.	001-308	Pin Assembly	8	109			32		0,7	
	Multi Shank	7J 1794	001-429	Ripper Shank (One Piece Shank)	1	1763	330	75		94	315,0
	Multi Shank	8E 5345	.	Ripper Shank (One Piece Shank)	1	1763	330	75		94	315,0
		9W 2451 4T 4451	001-129	Tip Short Centerline	2	325	132	173			15,0
		9W 2452 4T 4452	001-130	Tip Intern. Centerline	1	385	132	173			16,0
		114-0453 4T 4453	001-131	Tip Long Centerline	1	425	126	165			17,0
		4T 5451 3G 5451	001-144	Tip Short Penetration	3	340	125	168			15,2
		4T 5452 3G 5452	001-145	Tip Intern. Penetration	3	390	126	166			15,3
8E 5770		001-808	Tip interm. AFM Cent.	6	385	132	173			16,5	
8E 5771		.	Tip interm. AFM Penet.	7						15,5	
4T 2479 7J 9600		001-309	Pin Assembly	8	118			25		0,5	
cont.											

CATERPILLAR-RIPPERS

Complete Shank, Tips, Adapters, Protectors, Pins and Retainers



**T O U G H
C O M P O N E N T S**

Mach. Type	O.E.M. Part Nr New and old	MTM Nr.	Description	Ref.	Millimeters					Weight Kg.
					A	B	C	D	Ø	
D9H	6Y 3394	001-356	Pin	9	128			25		0,5
	8E 4743	001-381	Retainer	10				48		0,1
	6J 8814	001-402	Protector Standard	4	432	80				13,7
	8E 1848	001-454	Protector Sharpened	3	486	80				17,0
	132-4716 1U 4410	001-403	Protector Extended	5						25,0
	4T 2479 Top	001-309	Pin Assembly	8	118			25		0,5
	6J 8811 Bott.	001-308	Pin Assembly	8	109			32		0,7
	6Y 3394	001-356	Pin	9	128			25		0,5
	8E 4743	001-381	Retainer	10				48		0,1
	8E 8418	001-455	Adapter	3	685	350	75			76,0
	9U 9694	001-414	Nose Adapter	4	230	320	75			20,0
	6Y 3394	001-356	Pin	9	128			25		0,5
	8E 4743	001-381	Retainer	10				48		0,1
	4T 8315 7J 1791	001-411	Adapter	3	560	340	75			76,0
	9U 9694 4T 9776	001-414	Nose adapter	4	230	320	75			20,0
	4T 2479 Top	001-309	Pin Assembly	8	118			25		0,5
	6J 8811 Bott.	001-308	Pin Assembly	8	109			32		0,7
D9L	3G 2088	001-417	Ripper Shank (One Piece Shank)	1	2325	355	90			555,0
	9W 4426	001-417	Ripper Shank (One Piece Shank)	1	2325	355	90			555,0
	3G 8566	001-422	Ripper Shank (One Piece Shank)	1	2825	355	90			690,0
	9W 4427	.	Ripper Shank (One Piece Shank)	1	2825	355	90			570,0
	9J 5954	.	Ripper Shank (One Piece Shank)	1	1809	355	90			460,0
	4T 4501 1U 4501	001-127	Tip Short Centerline	2	27,0
	4T 4502 1U 4502	001-128	Tip Intern. Centerline	1	440	152	218	.	.	27,0
	8E 8503 4T 4503	001-140	Tip Long Centerline	1	477	158	216	.	.	30,0
	4T 5501 3G 6501	001-141	Tip Short Penetration	3	380	147	214	.	.	24,0
	4T 5502 3G 6502	001-142	Tip Intern. Penetration	3	440	152	218	.	.	27,5
	4T 5503 3G 6503	001-143	Tip Long Penetration	3	480	153	223	.	.	28,0
	8E 5772	.	Tip intern. AFM Penet.	7	440	152	218			29,5
	8E 5774	.	Tip intern. AFM Cent.	6	440	152	218			29,0
	102-9062 3G 0500	001-307	Pin Assembly	8	153			32		0,9
	6Y 9704	001-401	Protector Sharpened	7	740	96				58,5
	8J 4889	.	Pin Retainer	9	115			35		0,5
	102-9062 3G 0500	001-307	Pin Assembly	8	153			32		0,9
	1U 3630	001-409	Adapter	3	611	442	102			107,00
	103-8114		Nose Adapter	4	220	260	90			41,0
	102-9062 3G 0500	001-307	Pin Assembly	8	153			32		0,9
	6Y 1202(Disposable)	001-383	Retainer (Impact Ripper Style)	10				64		0,2
	6Y 1204 (Disposable)	001-358	Pin (Impact Ripper Style)	9	153			32		0,9
	Single Shank	6Y 6138	001-417	Ripper Shank (One Piece Shank)	1	2325	355	90		114
Single Shank	8E 8414	001-417	Ripper Shank (One Piece Shank)	1	2325	355	90		114	625,0
Deep Rip	6Y 6144	001-422	Ripper Shank (One Piece Shank)	1	2825	355	90		114	690,0
Deep Rip	8E 8416	001-422	Ripper Shank (One Piece Shank)	1	2825	355	90		114	690,0
Multi Shank	6Y 6141	.	Ripper Shank (One Piece Shank)	1	1820	355	90		114	445,0
Multi Shank	8E 8415	.	Ripper Shank (One Piece Shank)	1	1820	355	90		114	445,0

CATERPILLAR-RIPPERS

Complete Shank, Tips, Adapters, Protectors, Pins and Retainers



**T O U G H
C O M P O N E N T S**

Mach. Type	O.E.M. Part Nr New and old	MTM Nr.	Description	Ref.	Millimeters					Weight Kg.	
					A	B	C	D	Ø		
D9L	4T 4501 1U 4501	001-127	Tip Short Centerline	2	27,0	
	4T 4502 1U 4502	001-128	Tip Interm. Centerline	1	440	152	218	.	.	27,0	
	8E 8503 4T 4503	001-140	Tip Long Centerline	1	477	158	216	.	.	30,0	
	4T 5501 3G 6501	001-141	Tip Short Penetration	3	380	147	214	.	.	24,0	
	4T 5502 3G 6502	001-142	Tip Interm. Penetration	3	440	152	218	.	.	27,5	
	4T 5503 3G 6503	001-143	Tip Long Penetration	3	480	153	223	.	.	28,0	
	8E 5772	.	Tip interm. AFM Penet.	7	440	152	218			29,5	
	8E 5774	.	Tip interm. AFM Cent.	6	440	152	218			29,0	
	102-9062 3G 0500	001-307	Pin Assembly	8	153			32		0,9	
	6Y 1202(Disposable)	001-383	Retainer (Impact Ripper Style)	10				64		0,2	
	6Y 1204 (Disposable)	001-358	Pin (Impact Ripper Style)	9	153			32		0,9	
	9W 8365	001-480	Protector Sharpened	1	600	96				39,4	
	6Y 1202(Disposable)	001-383	Retainer (Impact Ripper Style)	10				64		0,2	
	6Y 1204 (Disposable)	001-358	Pin (Impact Ripper Style)	9	153			32		0,9	
	102-9062 3G 0500	001-307	Pin Assembly	8	153			32		0,9	
	103-8115 9W9695	001-410	Adapter	3	760	450	90			72,0	
	107-3361		Nose Adapter	4	260	350	90			44,5	
	6Y 1202(Disposable)	001-383	Retainer (Impact Ripper Style)	10				64		0,2	
	6Y 1204 (Disposable)	001-358	Pin (Impact Ripper Style)	9	153			32		0,9	
	6Y 3909	001-357	Pin	9	153			32		0,9	
4T 4707	001-335	Retainer	10				64		0,2		
D9N	9W 6167	001-425	Ripper Shank (One Piece Shank)S.S	1	2318	330	75		94	430,0	
	8E 5339	.	Ripper Shank (One Piece Shank)	1	2332	330	75		94	417,0	
	Deep Rip	4T 8988	001-427	Ripper Shank (One Piece Shank)	1	2761	330	75		510,0	
	Deep Rip	8E 5348	.	Ripper Shank (One Piece Shank)	1	2760	330	75	94	510,0	
	Multi Shank	4T 8990	001-426	Ripper Shank (One Piece Shank)	1	1610	330	75		295,0	
	Multi Shank	8E 5346	001-459	Ripper Shank (One Piece Shank)	1	1610	330	75	94	295,0	
		9W 2451 4T 4451	001-129	Tip Short Centerline	2	325	132	173		15,0	
		9W 2452 4T 4452	001-130	Tip Interm. Centerline	1	385	132	173		16,0	
		114-0453 4T 4453	001-131	Tip Long Centerline	1	425	126	165	.	17,0	
		4T 5451 3G 5451	001-144	Tip Short Penetration	3	340	125	168		15,2	
		4T 5452 3G 5452	001-145	Tip Interm. Penetration	3	390	126	166		15,3	
		8E 5770	001-808	Tip interm. AFM Cent.	6	385	132	173		16,5	
		8E 5771	.	Tip interm. AFM Penet.	7					15,5	
		4T 2479 7J 9600	001-309	Pin Assembly	8	118			25	0,5	
		6Y 3394	001-356	Pin	9	128			25	0,5	
		8E 4743	001-381	Retainer	10				48	0,1	
		6J 8814	001-402	Protector Standard	4	432	80			13,7	
		8E 1848	001-454	Protector Sharpened	3	486	80			17,0	
		132-4716 1U 4410	001-403	Protector Extended	5					25,0	
		4T 2479 Top	001-309	Pin Assembly	8	118			25	0,5	
		6J 8811 Bott.	001-308	Pin Assembly	8	109			32	0,7	
		6Y 3394	001-356	Pin	9	128			25	0,5	
		8E 4743	001-381	Retainer	10				48	0,1	
	cont.	8E 8418	001-455	Adapter	3	685	350	75			76,0

CATERPILLAR-RIPPERS

Complete Shank, Tips, Adapters, Protectors, Pins and Retainers



**T O U G H
C O M P O N E N T S**

Mach. Type	O.E.M. Part Nr New and old	MTM Nr.	Description	Ref.	Millimeters					Weight Kg.	
					A	B	C	D	Ø		
D9N	9U 9694 4T 9776	001-414	Nose adapter	4	230	320	75			20,0	
	6Y 3394	001-356	Pin	9	128			25		0,5	
	8E 4743	001-381	Retainer	10				48		0,1	
	4T 8315 7J 1791	001-411	Adapter	3	560	340	75			76,0	
	9U 9694 4T 9776	001-414	Nose adapter	4	230	320	75			20,0	
	4T 2479 Top	001-309	Pin Assembly	8	118			25		0,5	
	6J 8811 Bott.	001-308	Pin Assembly	8	109			32		0,7	
D9R	9W 6167	001-425	Ripper Shank (One Piece Shank) S.S	1	2318	330	75		94	430,0	
Single Shank	8E 5339		Ripper Shank (One Piece Shank)	1	2332	330	75		94	417,0	
Deep Rip	4T 8988	001-427	Ripper Shank (One Piece Shank)	1	2761	330	75			510,0	
Deep Rip	8E 5348		Ripper Shank (One Piece Shank)	1	2760	330	75		94	510,0	
Multi Shank	4T 8990	001-426	Ripper Shank (One Piece Shank)	1	1610	330	75			295,0	
Multi Shank	8E 5346	001-459	Ripper Shank (One Piece Shank)	1	1610	330	75		94	295,0	
	9W 2451 4T 4451	001-129	Tip Short Centerline	2	325	132	173			15,0	
	9W 2452 4T 4452	001-130	Tip Interm. Centerline	1	385	132	173			16,0	
	114-0453 4T 4453	001-131	Tip Long Centerline	1	425	126	165			17,0	
	4T 5451 3G 5451	001-144	Tip Short Penetration	3	340	125	168			15,2	
	4T 5452 3G 5452	001-145	Tip Interm. Penetration	3	390	126	166			15,3	
	8E 5770	001-808	Tip interm. AFM Cent.	6	385	132	173			16,5	
	8E 5771		Tip interm. AFM Penet.	7						15,5	
	4T 2479 7J 9600	001-309	Pin Assembly	8	118			25		0,5	
	6Y 3394	001-356	Pin	9	128			25		0,5	
	8E 4743	001-381	Retainer	10				48		0,1	
	6J 8814	001-402	Protector Standard	4	432	80				13,7	
	8E 1848	001-454	Protector Sharpened	3	486	80				17,0	
	132-4716 1U 4410	001-403	Protector Extended	5						25,0	
	4T 2479 Top	001-309	Pin Assembly	8	118			25		0,5	
	6J 8811 Bott.	001-308	Pin Assembly	8	109			32		0,7	
	6Y 3394	001-356	Pin	9	128			25		0,5	
	8E 4743	001-381	Retainer	10				48		0,1	
	8E 8418	001-455	Adapter	3	685	350	75			76,0	
	9U 9694 4T 9776	001-414	Nose adapter	4	230	320	75			20,0	
	6Y 3394	001-356	Pin	9	128			25		0,5	
	8E 4743	001-381	Retainer	10				48		0,1	
	4T 8315 7J 1791	001-411	Adapter	3	560	340	75			76,0	
	9U 9694 4T 9776	001-414	Nose adapter	4	230	320	75			20,0	
	4T 2479 Top	001-309	Pin Assembly	8	118			25		0,5	
	6J 8811 Bott.	001-308	Pin Assembly	8	109			32		0,7	
	Single Shank	114-4503		Ripper Shank (One Piece Shank)	1	2325	355	90		114	570,0
	Deep Rip	109-9114		Ripper Shank (One Piece Shank)	1	2825	355	90		114	675,0
	cont.	4T 4501 1U 4501	001-127	Tip Short Centerline	2						27,0
		4T 4502 1U 4502	001-128	Tip Interm. Centerline	1	440	152	218			27,0
		8E 8503 4T 4503	001-140	Tip Long Centerline	1	477	158	216			30,0
		4T 5501 3G 6501	001-141	Tip Short Penetration	3	380	147	214			24,0
		4T 5502 3G 6502	001-142	Tip Interm. Penetration	3	440	152	218			27,5

CATERPILLAR-RIPPERS

Complete Shank, Tips, Adapters, Protectors, Pins and Retainers



**T O U G H
C O M P O N E N T S**

Mach. Type	O.E.M. Part Nr New and old	MTM Nr.	Description	Ref.	Millimeters					Weight Kg.	
					A	B	C	D	Ø		
D9R	4T 5503 3G 6503	001-143	Tip Long Penetration	3	480	153	223	.	.	28,0	
	8E 5772	.	Tip interm. AFM Penet.	7	440	152	218	.	.	29,5	
	8E 5774	.	Tip interm. AFM Cent.	6	440	152	218	.	.	29,0	
	6Y 1202 (Disposable)	001-383	Retainer (Impact Ripper Style)	10				64		0,2	
	6Y 1204 (Disposable)	001-358	Pin (Impact Ripper Style)	9	153			32		0,9	
	6Y 3909	001-357	Pin	9	153			32		0,9	
	4T 4707	001-335	Retainer	10				64		0,2	
	9W 8365	001-480	Protector Sharpened	1	600	96				39,4	
	6Y 1202 (Disposable)	001-383	Retainer (Impact Ripper Style)	10				64		0,2	
	6Y 1204 (Disposable)	001-358	Pin (Impact Ripper Style)	9	153			32		0,9	
	6Y 3909	001-357	Pin	9	153			32		0,9	
	4T 4707	001-335	Retainer	10				64		0,2	
	103-8115 9W9695	001-410	Adapter	3	760	450	90			72,0	
	107-3361		Nose Adapter	4	260	350	90			44,5	
	6Y 1202 (Disposable)	001-383	Retainer (Impact Ripper Style)	10				64		0,2	
	6Y 1204 (Disposable)	001-358	Pin (Impact Ripper Style)	9	153			32		0,9	
	6Y 3909	001-357	Pin	9	153			32		0,9	
	4T 4707	001-335	Retainer	10				64		0,2	
	D9R HD	8E 8414	001-417	Ripper Shank (One Piece Shank)	1	2325	355	90		114	625,0
	Single Shank	4T 4501 1U 4501	001-127	Tip Short Centerline	2	27,0
4T 4502 1U 4502		001-128	Tip Interm. Centerline	1	440	152	218	.	.	27,0	
8E 8503 4T 4503		001-140	Tip Long Centerline	1	477	158	216	.	.	30,0	
4T 5501 3G 6501		001-141	Tip Short Penetration	3	380	147	214	.	.	24,0	
4T 5502 3G 6502		001-142	Tip Interm. Penetration	3	440	152	218	.	.	27,5	
4T 5503 3G 6503		001-143	Tip Long Penetration	3	480	153	223	.	.	28,0	
8E 5772		.	Tip interm. AFM Penet.	7	440	152	218	.	.	29,5	
8E 5774		.	Tip interm. AFM Cent.	6	440	152	218	.	.	29,0	
6Y 1202 (Disposable)		001-383	Retainer (Impact Ripper Style)	10				64		0,2	
6Y 1204 (Disposable)		001-358	Pin (Impact Ripper Style)	9	153			32		0,9	
6Y 3909		001-357	Pin	9	153			32		0,9	
4T 4707		001-335	Retainer	10				64		0,2	
9W 8365		001-480	Protector Sharpened	1	600	96				39,4	
6Y 1202 (Disposable)		001-383	Retainer (Impact Ripper Style)	10				64		0,2	
6Y 1204 (Disposable)		001-358	Pin (Impact Ripper Style)	9	153			32		0,9	
6Y 3909		001-357	Pin	9	153			32		0,9	
4T 4707		001-335	Retainer	10				64		0,2	
103-8115 9W9695		001-410	Adapter	3	760	450	90			72,0	
107-3361			Nose Adapter	4	260	350	90			44,5	
6Y 1202 (Disposable)		001-383	Retainer (Impact Ripper Style)	10				64		0,2	
6Y 1204 (Disposable)	001-358	Pin (Impact Ripper Style)	9	153			32		0,9		
6Y 3909	001-357	Pin	9	153			32		0,9		
4T 4707	001-335	Retainer	10				64		0,2		
D8N	4T 8989	001-431	Ripper Shank (One Piece Shank)	1	2016	330	75			355,0	
Single Shank	8E 5347	.	Ripper Shank (One Piece Shank)	1	2020	330	75		94	357,0	
Deep Rip	4T 0134	001-432	Ripper Shank (One Piece Shank)	1	2454	330	75			430,0	

CATERPILLAR-RIPPERS

Complete Shank, Tips, Adapters, Protectors, Pins and Retainers



**T O U G H
C O M P O N E N T S**

Mach. Type	O.E.M. Part Nr New and old	MTM Nr.	Description	Ref.	Millimeters					Weight Kg.
					A	B	C	D	Ø	
D8N	8E 5340	.	Ripper Shank (One Piece Shank)D.R	1	2460	330	75		94	430,0
Multi Shank	4T 8990	001-426	Ripper Shank (One Piece Shank)	1	1610	330	75			295,0
Multi Shank	8E 5346	001-459	Ripper Shank (One Piece Shank)	1	1610	330	75		94	295,0
	9W 2451 4T 4451	001-129	Tip Short Centerline	2	325	132	173			15,0
	9W 2452 4T 4452	001-130	Tip Intern. Centerline	1	385	132	173			16,0
	114-0453 4T 4453	001-131	Tip Long Centerline	1	425	126	165			17,0
	4T 5451 3G 5451	001-144	Tip Short Penetration	3	340	125	168			15,2
	4T 5452 3G 5452	001-145	Tip Intern. Penetration	3	390	126	166			15,3
	8E 5770	001-808	Tip interm. AFM Cent.	6	385	132	173			16,5
	8E 5771	.	Tip interm. AFM Penet.	7						15,5
	4T 2479 7J 9600	001-309	Pin Assembly	8	118				25	0,5
	6Y 3394	001-356	Pin	9	128				25	0,5
	8E 4743	001-381	Retainer	10					48	0,1
	6J 8814	001-402	Protector Standard	4	432	80				13,7
	8E 1848	001-454	Protector Sharpened	3	486	80				17,0
	132-4716 1U 4410	001-403	Protector Extended	5						25,0
	4T 2479 Top	001-309	Pin Assembly	8	118				25	0,5
	6J 8811 Bott.	001-308	Pin Assembly	8	109				32	0,7
	6Y 3394	001-356	Pin	9	128				25	0,5
	8E 4743	001-381	Retainer	10					48	0,1
	8E 8418	001-455	Adapter	3	685	350	75			76,0
	9U 9694 4T 9776	001-414	Nose adapter	4	230	320	75			20,0
	6Y 3394	001-356	Pin	9	128				25	0,5
	8E 4743	001-381	Retainer	10					48	0,1
	4T 8315 7J 1791	001-411	Adapter	3	560	340	75			76,0
	9U 9694 4T 9776	001-414	Nose adapter	4	230	320	75			20,0
	4T 2479 Top	001-309	Pin Assembly	8	118				25	0,5
	6J 8811 Bott.	001-308	Pin Assembly	8	109				32	0,7
D8K	7J 1792	001-428	Ripper Shank (One Piece Shank)S.S	1	2142	355	90		94	470,0
Single Shank	107-3485	.	Ripper Shank (One Piece Shank)	1	2165	355	90		94	470,0
Deep Rip	7J 1793	001-430	Ripper Shank (One Piece Shank)	1	2700	355	90			605,0
Deep Rip	107-3486	.	Ripper Shank (One Piece Shank)	1	2700	355	90		94	605,0
Multi Shank	7J 1795	001-435	Ripper Shank (One Piece Shank)	1	1579	330	75			285,0
Multi Shank	4T 8990	001-426	Ripper Shank (One Piece Shank)	1	1610	330	75			295,0
Multi Shank	8E 5346	001-459	Ripper Shank (One Piece Shank)	1	1610	330	75		94	295,0
	9W 2451 4T 4451	001-129	Tip Short Centerline	2	325	132	173			15,0
	9W 2452 4T 4452	001-130	Tip Intern. Centerline	1	385	132	173			16,0
	114-0453 4T 4453	001-131	Tip Long Centerline	1	425	126	165			17,0
	4T 5451 3G 5451	001-144	Tip Short Penetration	3	340	125	168			15,2
	4T 5452 3G 5452	001-145	Tip Intern. Penetration	3	390	126	166			15,3
	8E 5770	001-808	Tip interm. AFM Cent.	6	385	132	173			16,5
	8E 5771	.	Tip interm. AFM Penet.	7						15,5
	4T 2479 7J 9600	001-309	Pin Assembly	8	118				25	0,5
	6Y 3394	001-356	Pin	9	128				25	0,5
cont.	8E 4743	001-381	Retainer	10					48	0,1

CATERPILLAR-RIPPERS

Complete Shank, Tips, Adapters, Protectors, Pins and Retainers



**T O U G H
C O M P O N E N T S**

Mach. Type	O.E.M. Part Nr New and old	MTM Nr.	Description	Ref.	Millimeters					Weight Kg.
					A	B	C	D	Ø	
D8K	6J 8814	001-402	Protector Standard	4	432	80				13,7
	8E 1848	001-454	Protector Sharpened	3	486	80				17,0
	132-4716 1U 4410	001-403	Protector Extended	5						25,0
	4T 2479 Top	001-309	Pin Assembly	8	118			25		0,5
	6J 8811 Bott.	001-308	Pin Assembly	8	109			32		0,7
	6Y 3394	001-356	Pin	9	128			25		0,5
	8E 4743	001-381	Retainer	10				48		0,1
	8E 8418	001-455	Adapter	3	685	350	75			76,0
	9U 9694 4T 9776	001-414	Nose adapter	4	230	320	75			20,0
	6Y 3394	001-356	Pin	9	128			25		0,5
	8E 4743	001-381	Retainer	10				48		0,1
	4T 8315 7J 1791	001-411	Adapter	3	560	340	75			76,0
	9U 9694 4T 9776	001-414	Nose adapter	4	230	320	75			20,0
	4T 2479 Top	001-309	Pin Assembly	8	118			25		0,5
	6J 8811 Bott.	001-308	Pin Assembly	8	109			32		0,7
D8L	4T 0135	001-433	Ripper Shank (One Piece Shank)S.S	1	1910	330	75			350,0
Single Shank	8E 5342	.	Ripper Shank (One Piece Shank)	1	1910	330	75		94	350,0
Deep Rip	4T 0134	001-432	Ripper Shank (One Piece Shank)	1	2454	330	75			430,0
Deep Rip	8E 5340	.	Ripper Shank (One Piece Shank)	1	2460	330	75		94	430,0
Multi Shank	4T 0136	001-434	Ripper Shank (One Piece Shank)	1	1500	330	75		94	275,0
Multi Shank	8E 5341	001-434	Ripper Shank (One Piece Shank)	1	1500	330	75		94	275,0
	9W 2451 4T 4451	001-129	Tip Short Centerline	2	325	132	173			15,0
	9W 2452 4T 4452	001-130	Tip Intern. Centerline	1	385	132	173			16,0
	114-0453 4T 4453	001-131	Tip Long Centerline	1	425	126	165			17,0
	4T 5451 3G 5451	001-144	Tip Short Penetration	3	340	125	168			15,2
	4T 5452 3G 5452	001-145	Tip Intern. Penetration	3	390	126	166			15,3
	8E 5770	001-808	Tip interm. AFM Cent.	6	385	132	173			16,5
	8E 5771	.	Tip interm. AFM Penet.	7						15,5
	4T 2479 7J 9600	001-309	Pin Assembly	8	118			25		0,5
	6Y 3394	001-356	Pin	9	128			25		0,5
	8E 4743	001-381	Retainer	10				48		0,1
	6J 8814	001-402	Protector Standard	4	432	80				13,7
	8E 1848	001-454	Protector Sharpened	3	486	80				17,0
	132-4716 1U 4410	001-403	Protector Extended	5						25,0
	4T 2479 Top	001-309	Pin Assembly	8	118			25		0,5
	6J 8811 Bott.	001-308	Pin Assembly	8	109			32		0,7
	6Y 3394	001-356	Pin	9	128			25		0,5
	8E 4743	001-381	Retainer	10				48		0,1
	8E 8418	001-455	Adapter	3	685	350	75			76,0
	9U 9694 4T 9776	001-414	Nose adapter	4	230	320	75			20,0
	6Y 3394	001-356	Pin	9	128			25		0,5
	8E 4743	001-381	Retainer	10				48		0,1
	4T 8315 7J 1791	001-411	Adapter	3	560	340	75			76,0
	9U 9694 4T 9776	001-414	Nose adapter	4	230	320	75			20,0
	4T 2479 Top	001-309	Pin Assembly	8	118			25		0,5
	6J 8811 Bott.	001-308	Pin Assembly	8	109			32		0,7

CATERPILLAR-RIPPERS

Complete Shank, Tips, Adapters, Protectors, Pins and Retainers



**T O U G H
C O M P O N E N T S**

Mach. Type	O.E.M. Part Nr New and old	MTM Nr.	Description	Ref.	Millimeters					Weight Kg.
					A	B	C	D	Ø	
D8R	4T 8989	001-431	Ripper Shank (One Piece Shank) S.S	1	2016	330	75			355,0
Single Shank	8E 5347		Ripper Shank (One Piece Shank)	1	2020	330	75		94	357,0
Deep Rip	4T 0134	001-432	Ripper Shank (One Piece Shank)	1	2454	330	75			430,0
Deep Rip	8E 5340		Ripper Shank (One Piece Shank)	1	2460	330	75		94	430,0
Multi Shank	4T 8990	001-426	Ripper Shank (One Piece Shank)	1	1610	330	75			295,0
Multi Shank	8E 5346	001-459	Ripper Shank (One Piece Shank)	1	1610	330	75		94	295,0
	9W 2451 4T 4451	001-129	Tip Short Centerline	2	325	132	173			15,0
	9W 2452 4T 4452	001-130	Tip Intern. Centerline	1	385	132	173			16,0
	114-0453 4T 4453	001-131	Tip Long Centerline	1	425	126	165			17,0
	4T 5451 3G 5451	001-144	Tip Short Penetration	3	340	125	168			15,2
	4T 5452 3G 5452	001-145	Tip Intern. Penetration	3	390	126	166			15,3
	8E 5770	001-808	Tip intern. AFM Cent.	6	385	132	173			16,5
	8E 5771		Tip intern. AFM Penet.	7						15,5
	4T 2479 7J 9600	001-309	Pin Assembly	8	118			25		0,5
	6Y 3394	001-356	Pin	9	128			25		0,5
	8E 4743	001-381	Retainer	10				48		0,1
	6J 8814	001-402	Protector Standard	4	432	80				13,7
	8E 1848	001-454	Protector Sharpened	3	486	80				17,0
	132-4716 1U 4410	001-403	Protector Extended	5						25,0
	4T 2479 Top	001-309	Pin Assembly	8	118			25		0,5
	6J 8811 Bott.	001-308	Pin Assembly	8	109			32		0,7
	6Y 3394	001-356	Pin	9	128			25		0,5
	8E 4743	001-381	Retainer	10				48		0,1
	8E 8418	001-455	Adapter	3	685	350	75			76,0
	9U 9694 4T 9776	001-414	Nose adapter	4	230	320	75			20,0
	6Y 3394	001-356	Pin	9	128			25		0,5
	8E 4743	001-381	Retainer	10				48		0,1
	4T 8315 7J 1791	001-411	Adapter	3	560	340	75			76,0
	9U 9694 4T 9776	001-414	Nose adapter	4	230	320	75			20,0
	4T 2479 Top	001-309	Pin Assembly	8	118			25		0,5
	6J 8811 Bott.	001-308	Pin Assembly	8	109			32		0,7
D7	9W 7382	001-441	Shank Straight	2	1240	228	75		60	140,0
	6Y 0352	001-149	Tip Centerline	1						22,0
	6Y 0359 9J 8920	001-147	Tip Penetration	3	352	112	145			11,0
	8E 6358 9W 2678	001-320	Pin	9	105			19		0,2
	8E 6359	001-372	Retainer	10				40		0,1
	114-0358	001-351	Pin HD	9	105			19		0,3
	114-0359	001-375	Retainer HD	10				40		
	9W 7488 9J 3661	001-462	Adapter	3						43,0
	8E 7350	001-458	Nose adapter	4	200	250	75			7,0
	8E 6358 9W 2678	001-320	Pin	9	105			19		0,22
	1U 2405	001-337	Retainer	10				38		0,05
D5,D6	9J 3139	001-442	Shank Straight	2	711	176	75		54	51,0
988 - 983	9J 8923	001-443	Shank Curved	3	667	176	75		54	57,0
980 - 977	7J 6671	001-440	Shank Straight	2	860	176	75		54	65,00
973 - G16	6Y 0352	001-149	Tip Centerline	1						22,0

CATERPILLAR-RIPPERS

Complete Shank, Tips, Adapters, Protectors, Pins and Retainers



**T O U G H
C O M P O N E N T S**

Mach. Type	O.E.M. Part Nr New and old	MTM Nr.	Description	Ref.	Millimeters					Weight Kg.
					A	B	C	D	Ø	
D5,D6	6Y 0359 9J 8920	001-147	Tip Penetration	3	352	112	145			11,0
988 - 983	8E 6358 9W 2678	001-320	Pin	9	105			19		0,2
980 - 977	8E 6359	001-372	Retainer	10				40		0,1
973 - G16	114-0358	001-351	Pin HD	9	105			19		0,3
	114-0359	001-375	Retainer HD	10				40		
	9W 7488 9J 3661	001-462	Adapter	3	43,0
	8E 7350	001-458	Nose adapter	4	200	250	75			7,0
	8E 6358 9W 2678	001-320	Pin	9	105			19		0,22
	1U 2405	001-337	Retainer	10				38		0,05
	D5M - D4	9J 6586	001-444	Shank Straight	2	533	138	59		49
955 - 951	9J 8913	001-445	Shank Curved	3	507	138	59		49	27,00
941	6Y 0309 9J 8910	001-146	Tip Penetration	3	290	110	89			5,0
G12 - G14	9W 7309		Tip Sharp							
	9W 2668 9J 6503	001-310	Pin	9	86				19	0,18
	1U 2405	001-337	Retainer	10				38		0,05
	8E 7300	001-457	Nose adapter	4	200	150	60			5,0
	9W 2668 9J 6503	001-310	Pin	9	86				19	0,18
	1U 2405	001-337	Retainer	10				38		0,05
963	6Y 0865	001-446	Shank HD	2	463	139	59		49	30,50
	6Y 0352	001-149	Tip Centerline	1	22,0
	6Y 0359 9J 8920	001-147	Tip Penetration	3	352	112	145			11,0
	8E 6358 9W 2678	001-320	Pin	9	105			19		0,2
	8E 6359	001-372	Retainer	10				40		0,1
	114-0358	001-351	Pin HD	9	105			19		0,3
	114-0359	001-375	Retainer HD	10				40		
	9W 7488 9J 3661	001-462	Adapter	3	43,0
	8E 7350	001-458	Nose adapter	4	200	250	75			7,0
	8E 6358 9W 2678	001-320	Pin	9	105			19		0,22
	1U 2405	001-337	Retainer	10				38		0,05
953	1U 1257	001-447	Shank Curved	3	477	109	50		29	21,0
943	9J 4259	001-133	Tip Penetration	3	195	76	87			2,4
	1U 3252 9J 4252	001-121	Tip Long	5	190	79	94			3,0
	1U 3251 9J 4251	001-120	Tip Short	4	163	79	94			3,0
	9W 8259		Tip Sharp		215	76	89			3,00
	8E 6258	001-321	Pin	9	76			14		0,10
	8E 6259	001-374	Retainer	10				31		0,05
	132-4763	001-327	Pin HD	9						0,10
	133-0699		Retainer HD	10						
	D3 - D4	8J 5299	001-448	Shank Straight	3	438	75	35		29
D5	1U 3201	001-123	Tip Short	4	134	60	64			1,2
939 - 935	1U 3202	001-124	Tip Long	5	145	60	64			1,9
	931	1U 3209	001-132	Tip Penetration	3	146	56	61		1,0
	8E 6208	001-323	Pin	9	56			11		0,10
	8E 6209	001-346	Retainer	10				19		0,05