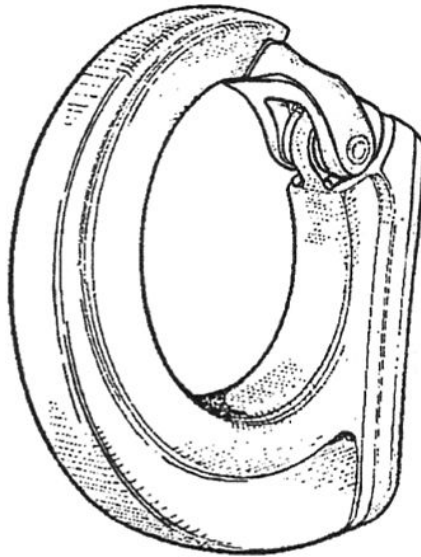


MISCELLANEOUS

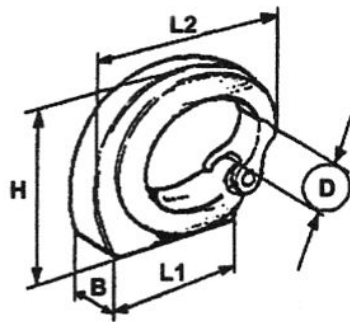
SAFETY HOOKS



**T O U G H
C O M P O N E N T S**



They offer the utmost security because they have been tested and approved by the most Security Offices in Europe;
 they offer the utmost safety because each of the five dimensions has been planned and tested to lift three times its lift capacity;
 they are manufactured from a very peculiar type of steel, are hot forged, are heat treated and are tested by magnaflux in order to secure the utmost safety;
 they are available in five different sizes: 10 tons (metric), 5 tons (metric), 2,5 tons (metric), 1,25 tons (metric), 0,5 tons (metric).



Safety Hook size	MTM Part N°	Millimeters					Inches					Weight	
		L1	L2	H	B	D Max	L1	L2	H	B	D Max	Kg	Lbs
10 tons	99.402.X0M	165	235	180	43	45	6",5	9",2	7",1	1",7	1",8	7,65	16,8
5 tons	99.403.X0M	125	185	135	35	35	4",9	7",3	5",3	1",4	1",4	3,75	8,20
2,5 tons	99.404.X0M	100	110	110	40	28	4",0	5",8	4",3	1",1	1",1	2,00	4,40
1,25 tons	99.405.X0M	81	87	87	30	20	3",2	4",7	3",4	0",8	0",8	1,15	2,50

Safety Hook size	Replacement Parts			
10 tons	99.402.X2M-Cover	90.500.100 - Pin	99.402.X3M - Spring	99.402.X5M - Replacement Kit
5 tons	99.403.X2M-Cover	90.400.800 - Pin	99.402.X3M - Spring	99.403.X5M - Replacement Kit
2,5 tons	99.404.X2M-Cover	90.400.800 - Pin	99.404.X3M - Spring	99.404.X5M - Replacement Kit
1,25 tons	99.405.X2M-Cover	90.400.800 - Pin	99.404.X3M - Spring	99.405.X5M - Replacement Kit



**T O U G H
C O M P O N E N T S**

